

Assembly Instructions

43150731 SLATTED STORAGE CABINET

CARE INSTRUCTIONS:






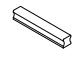







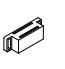



WIPE CLEAN WITH A DRY CLOTH. DO NOT USE ABRASIVE MATERIALS AND SOLVENTS. CHECK AND TIGHTEN ALL PARTS REGULARLY. DO NOT PLACE HOT ITEMS SUCH AS COFFEE CUPS DIRECTLY ON THE SURFACE. KEEP AWAY FROM WATER AND DIRECT SUNLIGHT. STORE IN A DRY PLACE. FOR DOMESTIC USE ONLY. FOR INDOOR USE ONLY. A MILD ODOUR MAY BE PRESENT WHEN FIRST OPENING THIS CARTON. SIMPLY ALLOW TO AIR OUTSIDE AND THIS WILL FADE.

WARNING:

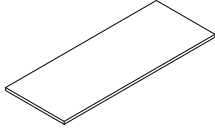


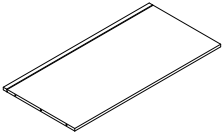
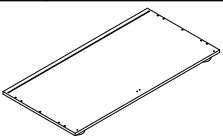
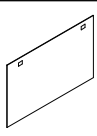
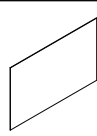
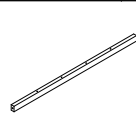


DO NOT STAND OR SIT ON THIS UNIT. DO NOT USE THIS UNIT UNLESS ALL BOLTS AND SCREWS ARE FIRMLY SECURED. DO NOT KNOCK OR DRAG THIS UNIT. USE ONLY ON A FLAT SURFACE. ADULT ASSEMBLY REQUIRED. FAILURE TO FOLLOW THESE WARNINGS COULD RESULT IN SERIOUS INJURY. LOAD DRAWER EVENLY TO PREVENT FROM TIPPING OVER. THIS PACKAGE CONTAINS SMALL PARTS AND SHARP POINTS. KEEP AWAY FROM CHILDREN AND BABIES.

MAXIMUM SAFE LOAD: 15KG FOR TOP, 10KG FOR EACH LAYER.

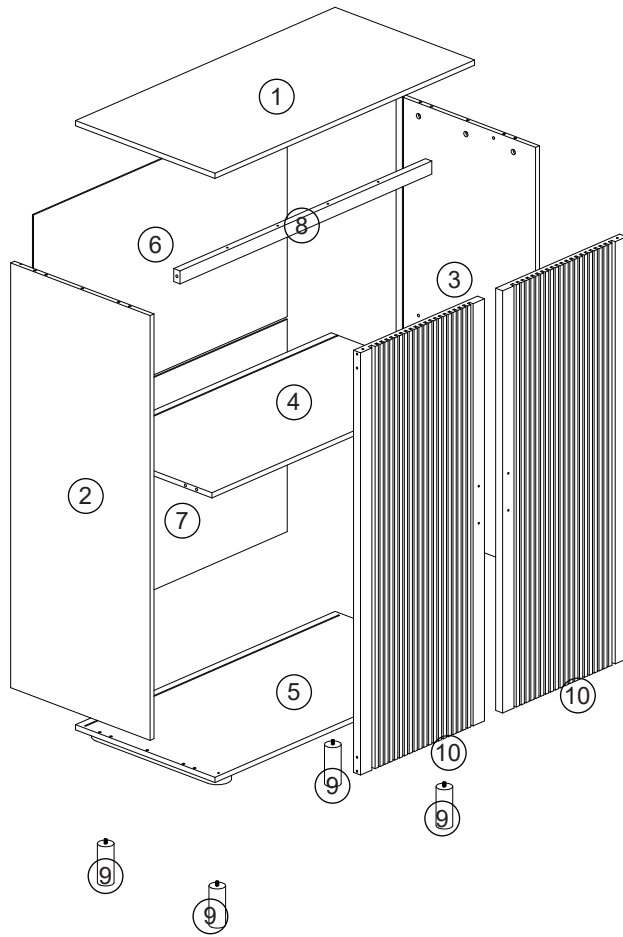
1 Hardware List


	A	6x30mm	12pcs		B	6x35mm	10pcs		C	12x10mm	10pcs
	D		4pcs		E	3x18mm	12pcs		F	100x20x15mm	2pcs
	G	4x35mm	4pcs		H	4x40mm	6pcs		I	3x12mm	10pcs
	J		8pcs		K		2pcs		L		4pcs
	M		2pcs		N		2pcs		O	3x14mm	4pcs
	P	7x50mm	6pcs		Q		1pc				

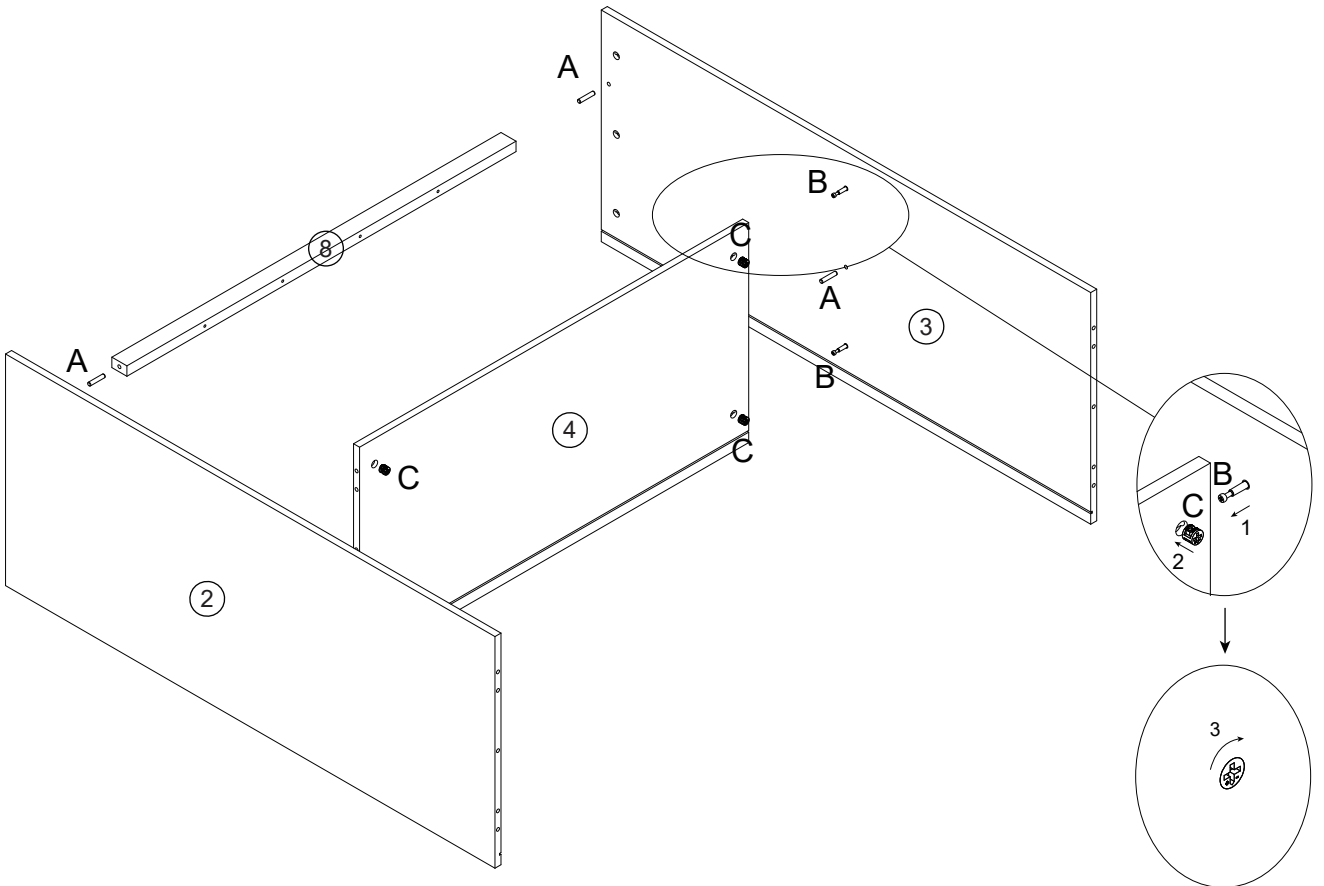
2 Parts List

	①	1pc		②	1pc		③	1pc		④	1pc
	⑤	1pc		⑥	1pc		⑦	1pc		⑧	1pc
	⑨	4pcs		⑩	2pcs						

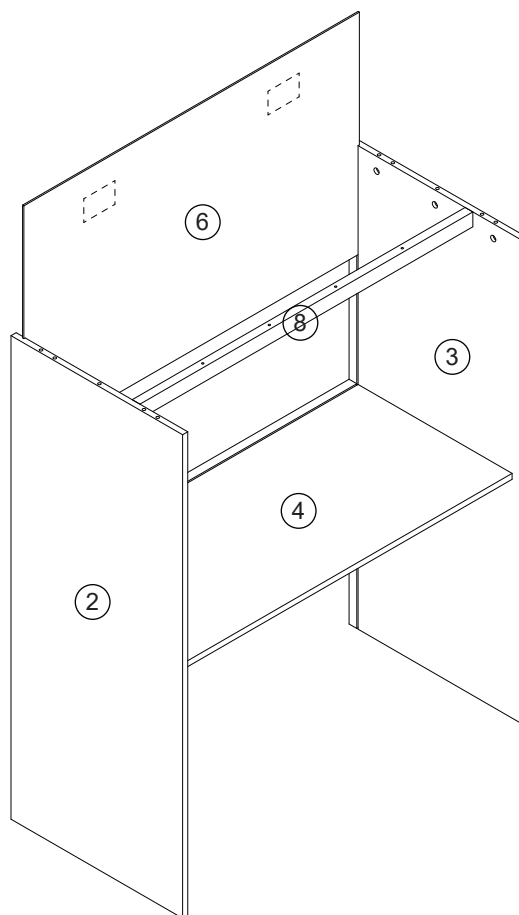
3



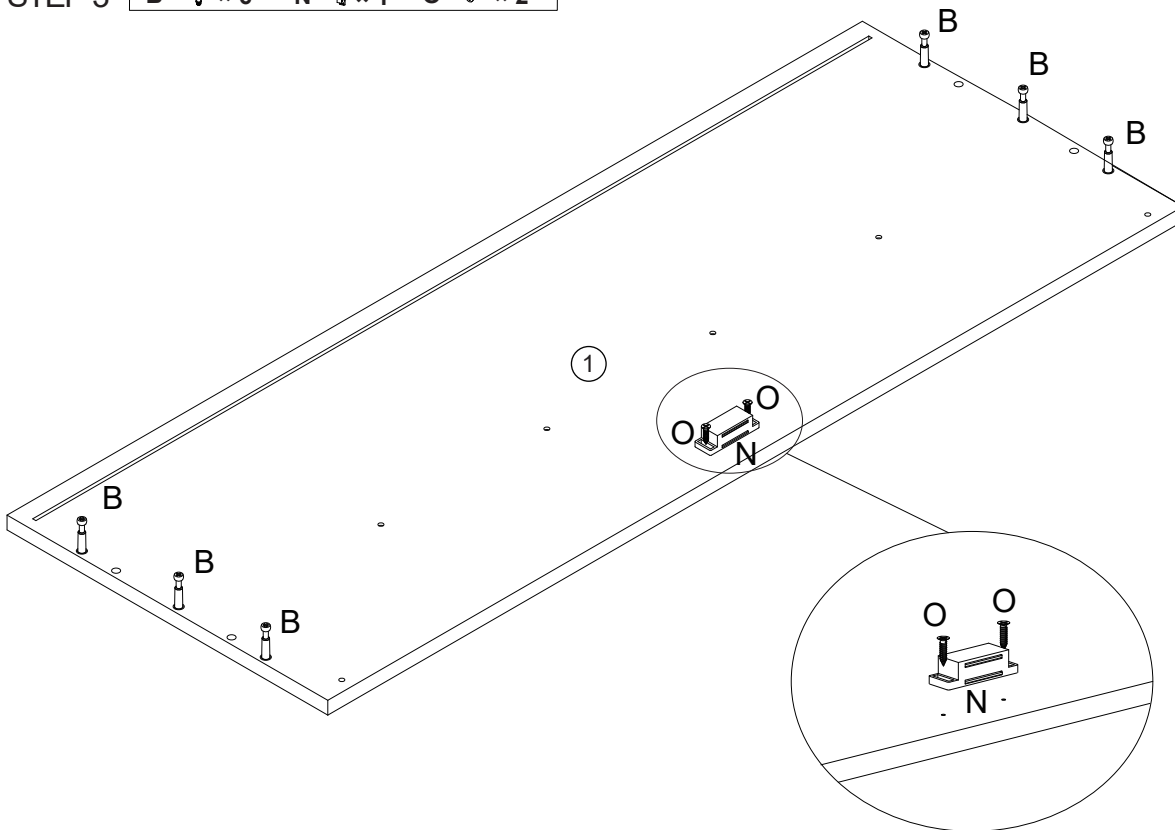
STEP 1 A -  x 4 B -  x 4 C -  x 4





STEP 2

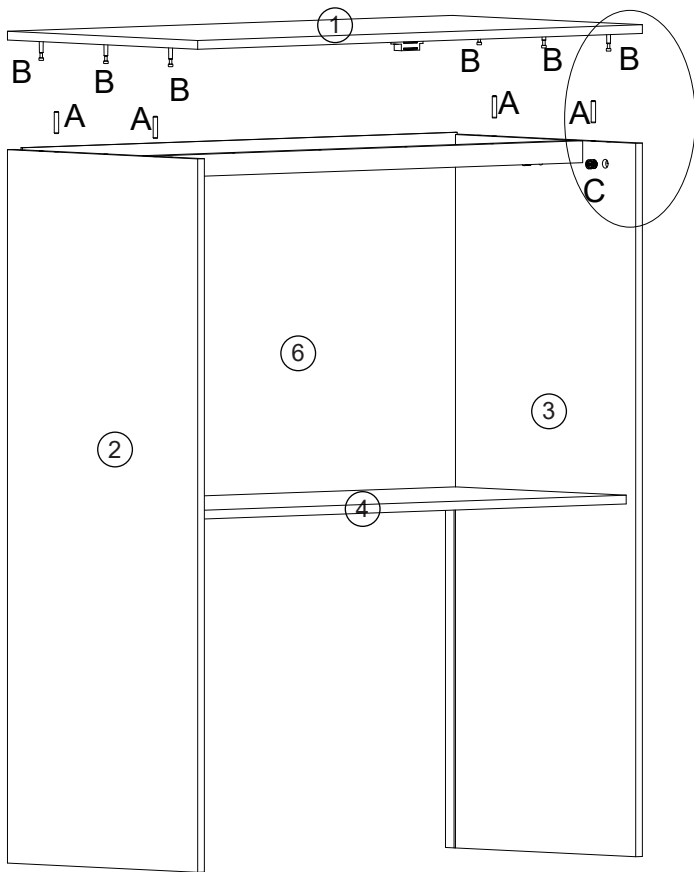


STEP 3 B -  x 6 N -  x 1 O -  x 2

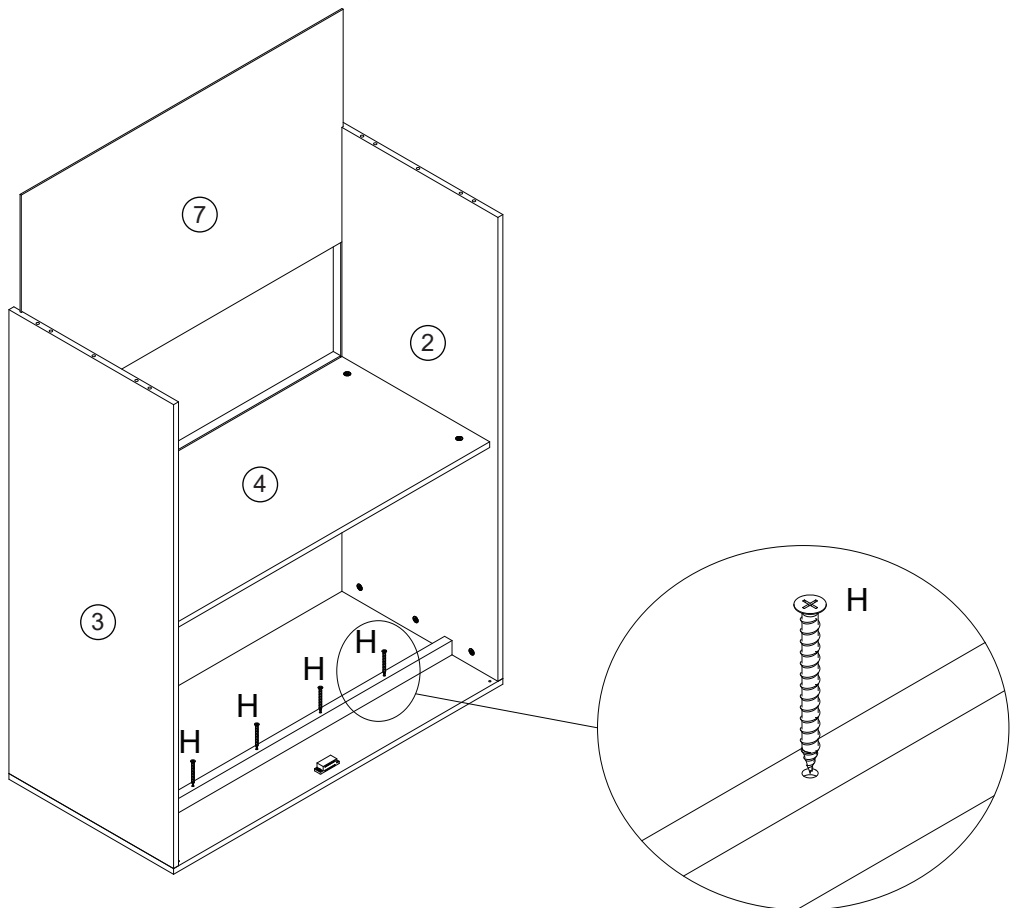


Position adjustable

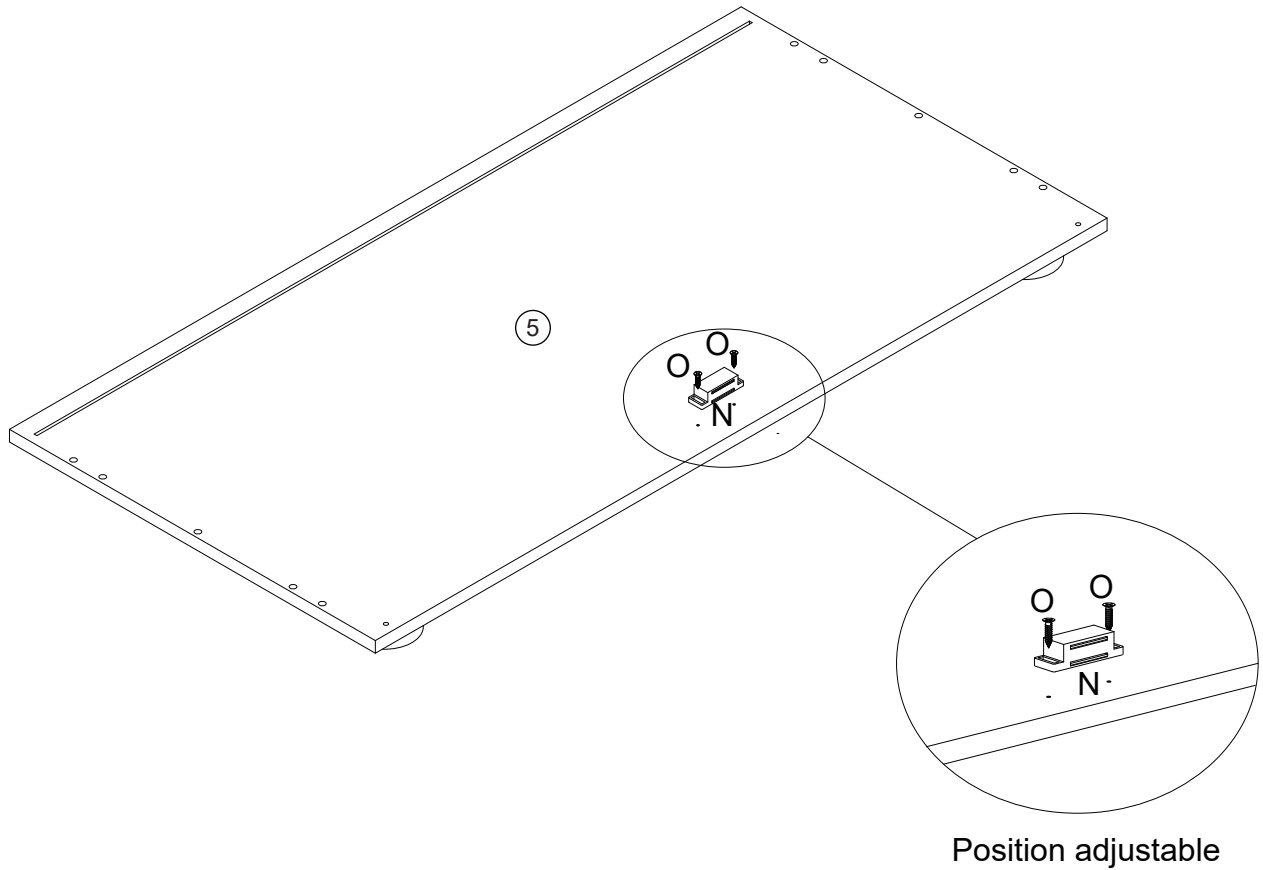
STEP 4 A -  x 4 C -  x 6



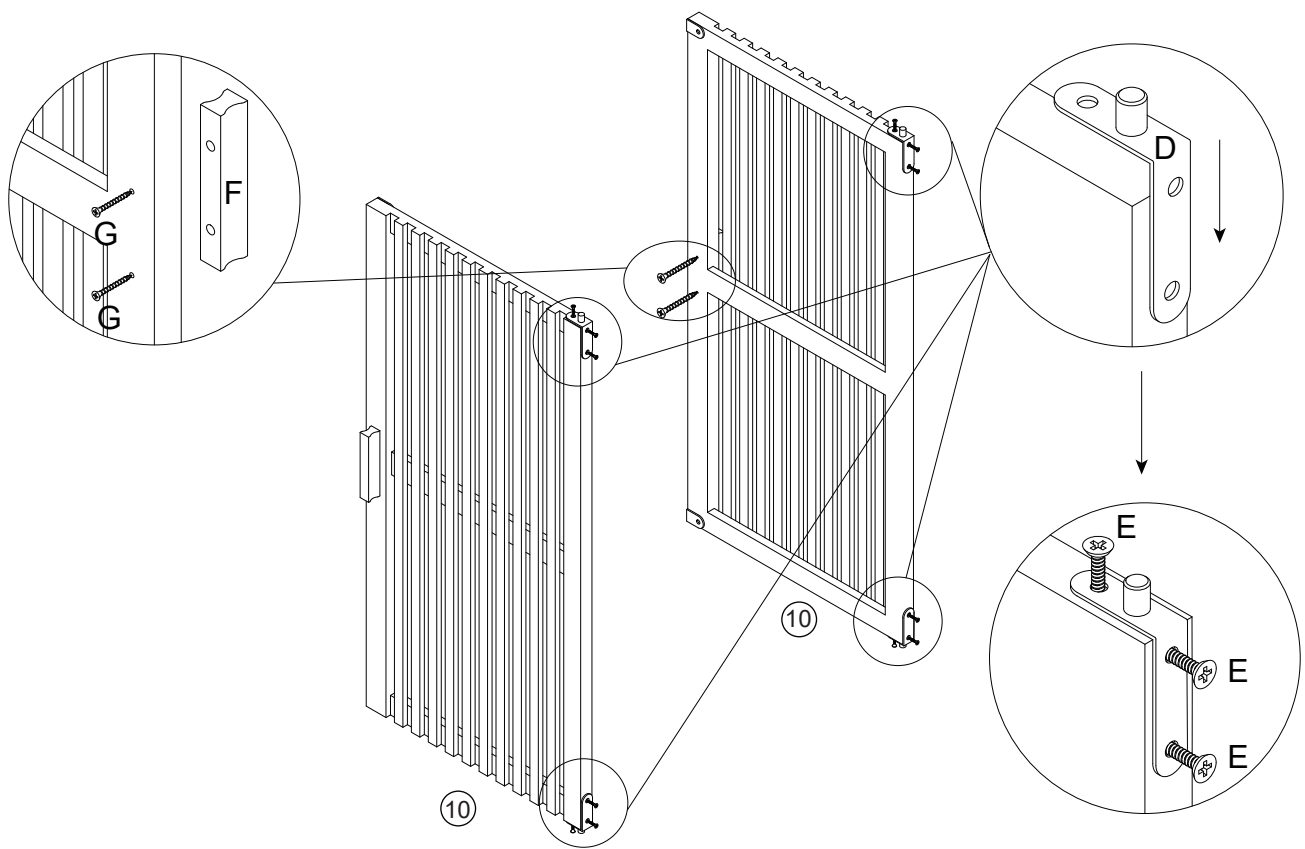
STEP 5 H -  x 4



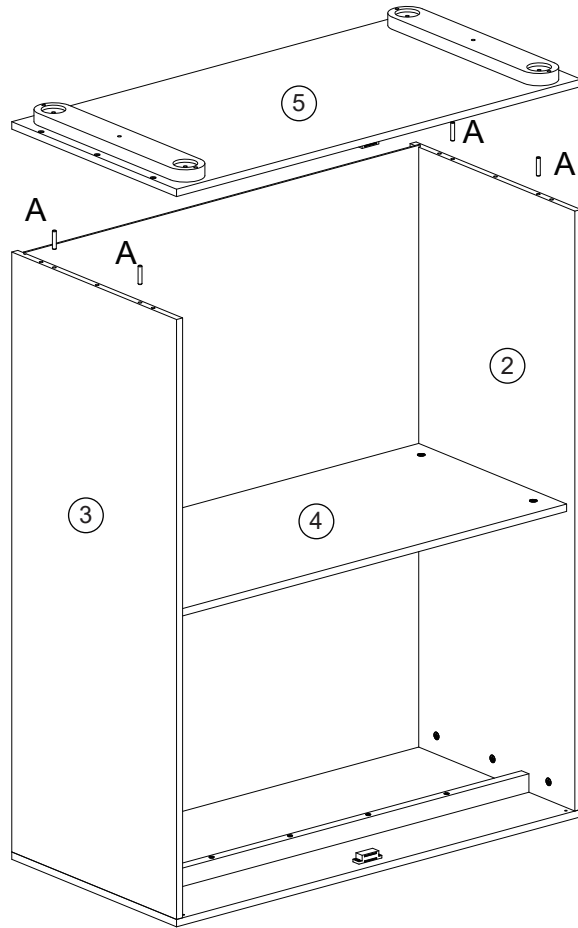
STEP 6 N - 1 x 1 O - 2 x 2



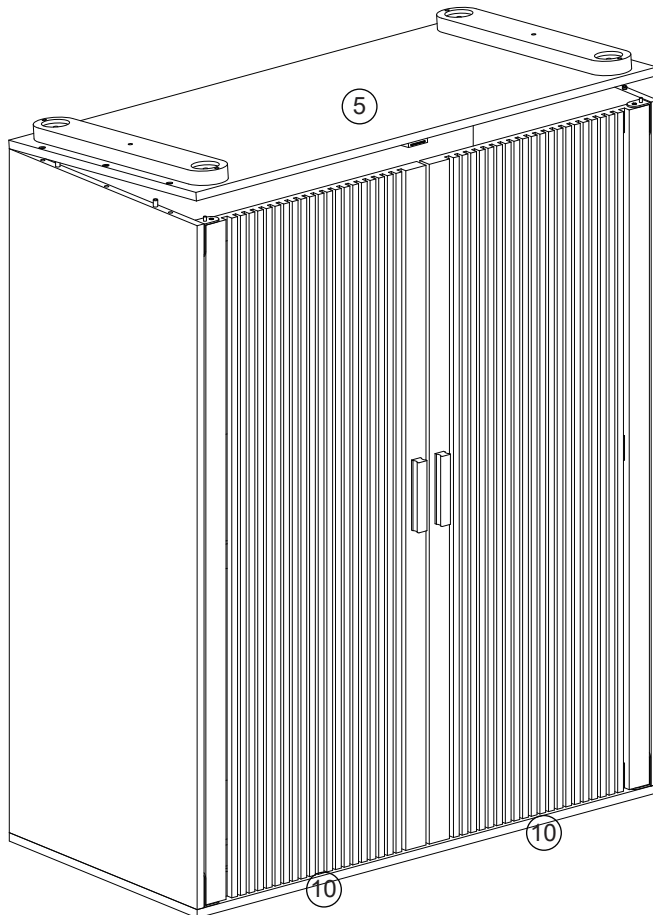
STEP 7 D - 4 x 4 E - 12 x 12 F - 2 x 2 G - 4 x 4



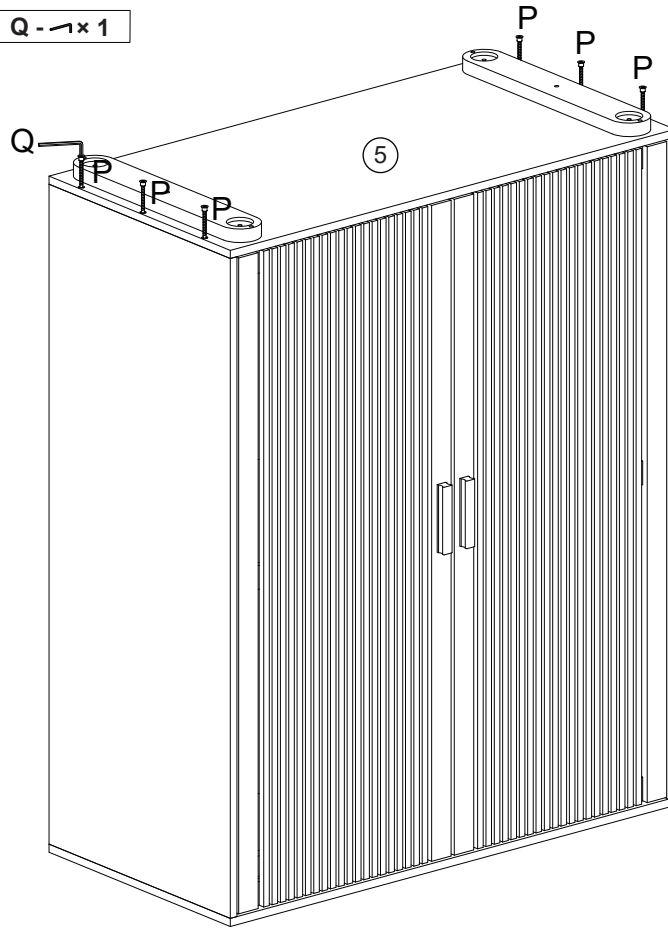
STEP 8 **A - 4** × 4



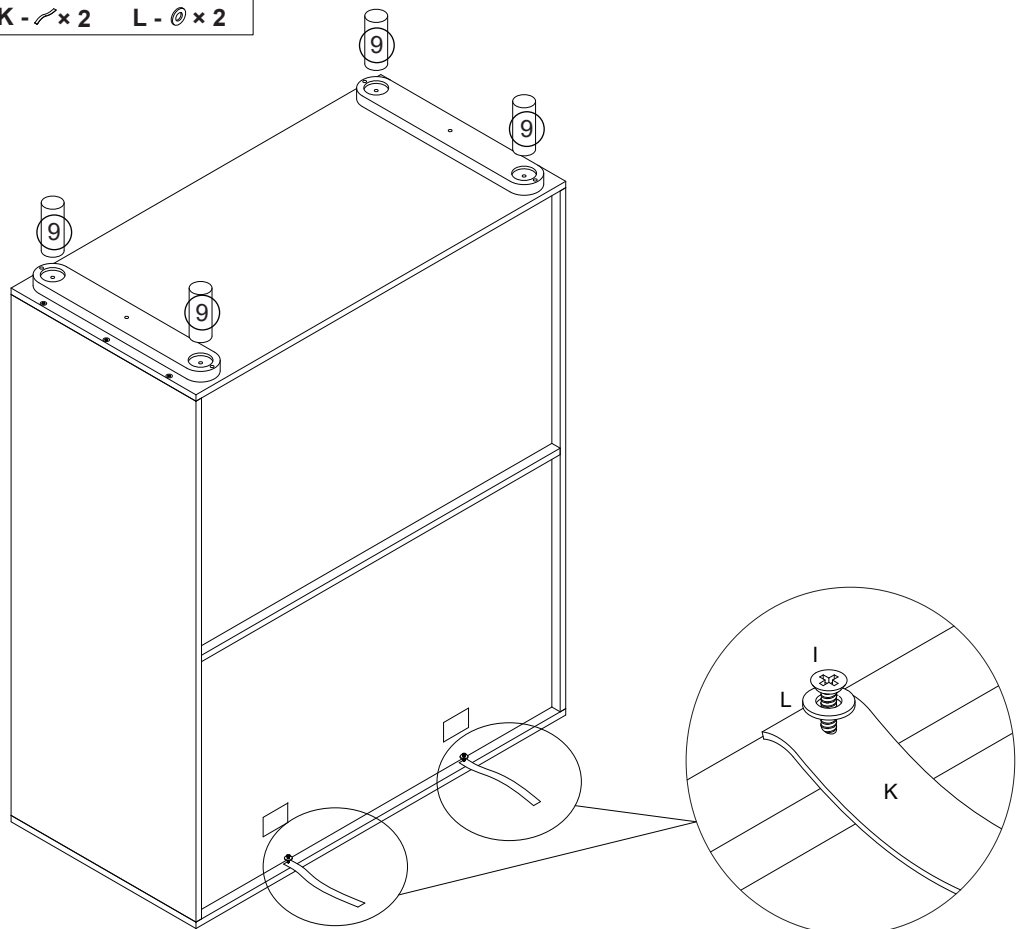
STEP 9

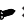



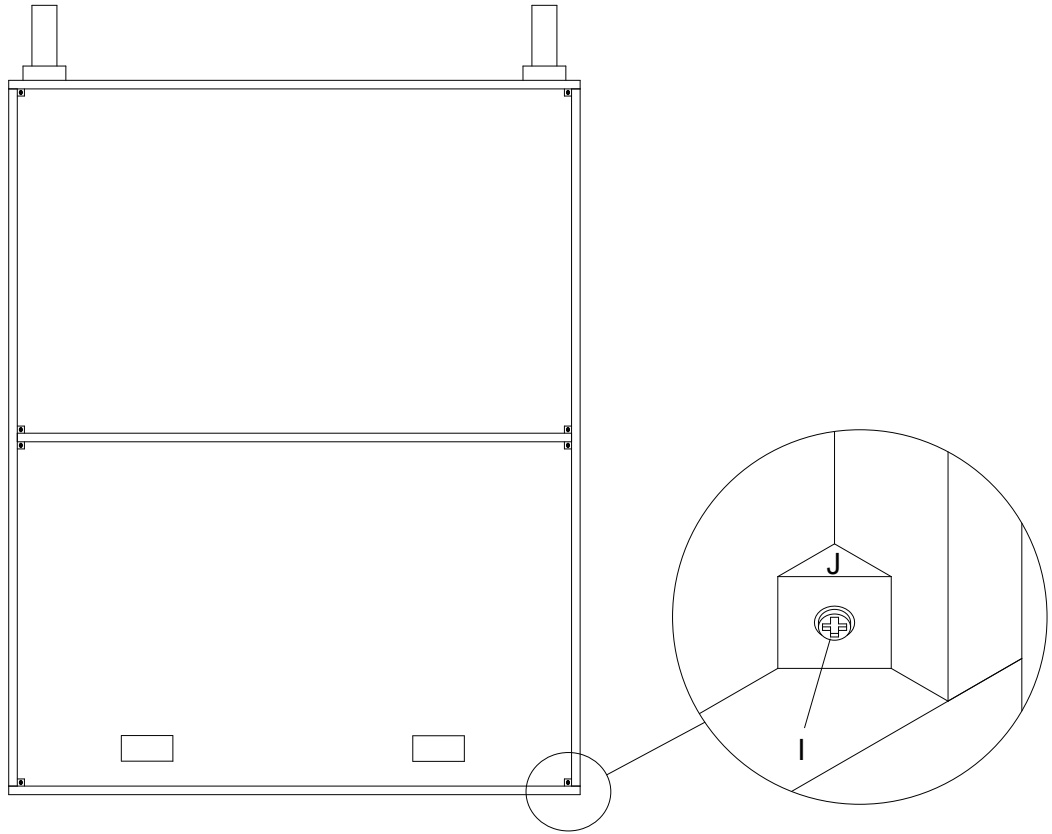
STEP 10 P - 1 x 6 Q - 1 x 1






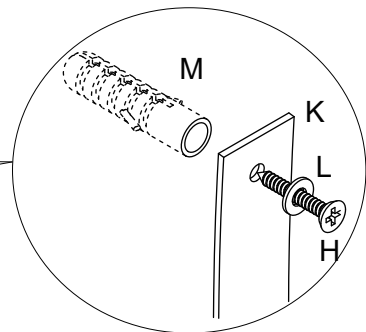
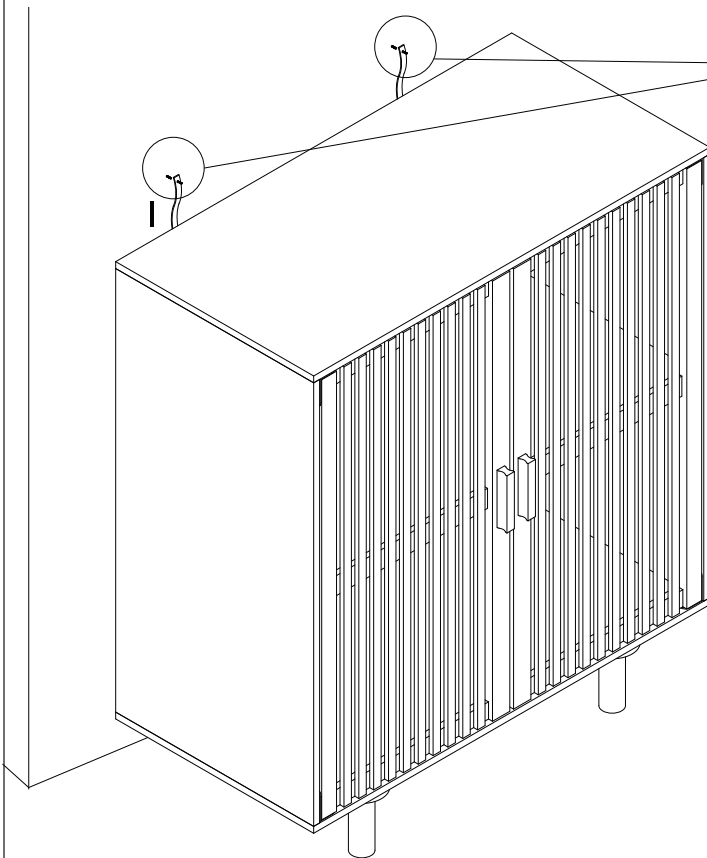
STEP 11 I - 2 x 2 K - 2 x 2 L - 2 x 2



STEP 12 I -  × 8 J -  × 8



STEP 13 H -  × 2 L -  × 2 M -  × 2



TOPPLING FURNITURE WARNING:

- It is strongly recommended that this product is permanently fixed to the wall.
- Please seek professional advice if you are in doubt of what fixing device to use.
- Regularly check that anchors are securely maintained.
- Stability of tall items may be affected by thick pile carpet or uneven floors .
- Do not place unanchored televisions on furniture .

CAUTION: for your safety when attaching the anchor fixings, please note the following:

- Check any electrical wires or plumbing inside the wall before drilling any holes (if you are unsure please seek professional advice from a qualified tradesperson).



WARNING: PLEASE SECURE YOUR FURNITURE WITH THE SUPPLIED WALL FIXING. SCAN THE CODE FOR MORE INFORMATION.

