

Assembly Instructions






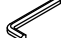




43152353 BAMBOO STORAGE BENCH

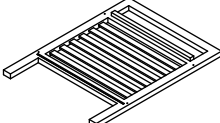
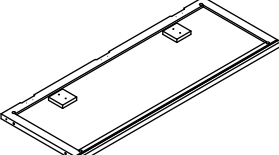
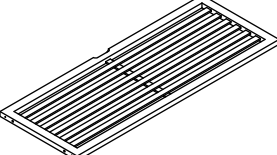
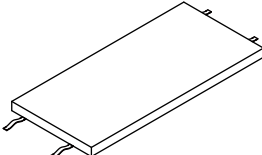
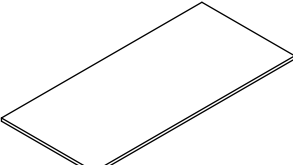
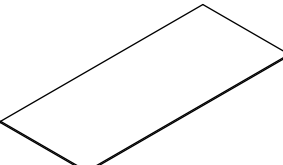
CARE INSTRUCTION: WIPE CLEAN WITH A SOFT DRY OR DAMP CLOTH. DO NOT USE ABRASIVE MATERIAL AND SOLVENTS. SPOT CLEAN IF NEEDED. STORE IN A DRY PLACE. KEEP AWAY FROM WATER AND DIRECT SUNLIGHT. FOR INDOOR AND DOMESTIC USE. CHECK AND TIGHTEN ALL PARTS REGULARLY.

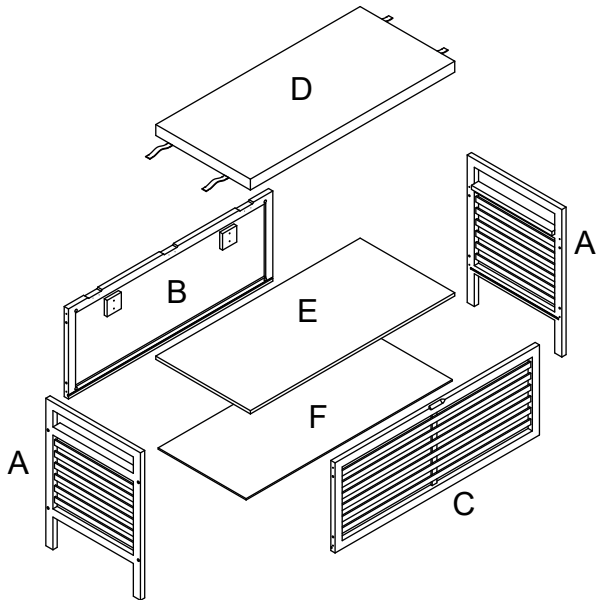
WARNING: DO NOT STAND ON THE BENCH. USE ONLY ON A FLAT SURFACE. FOR ONE PERSON USE ONLY. DO NOT USE UNTIL ALL SCREWS, BOLTS AND KNOBS ARE FIRMLY SECURED. THIS PRODUCT CONTAINS SMALL PARTS AND SHARP POINTS, KEEP AWAY FROM CHILDREN AND BABIES. ADULT ASSEMBLY REQUIRED. FAILURE TO FOLLOW THESE WARNINGS COULD RESULT IN SERIOUS INJURY.

MAXIMUM TOTAL LOADING WEIGHT: 100KGS FOR SEAT TOP, 10KGS FOR INNER STORAGE, 110KGS IN TOTAL.

Hardware list

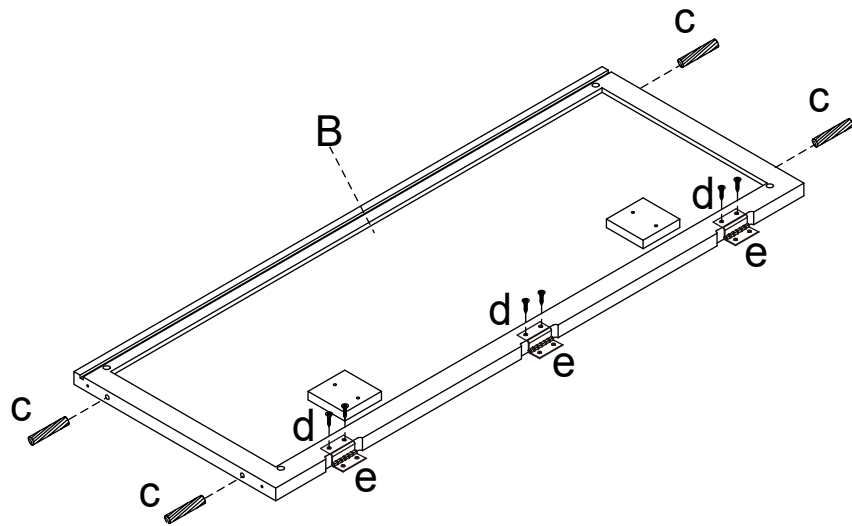
	a	6X50mm	8PCS		f		2PCS
	b		8PCS		g	4X12mm	8PCS
	c	8X30mm	8PCS		h		1PC
	d	3X12mm	12PCS		i		4PCS
	e		3PCS		Tool required Philips Head Screw Driver (Not Provided)		

					
A	2 PCS	B	1 PC	C	1 PC
					
D	1 PC	E	1 PC	F	1 PC



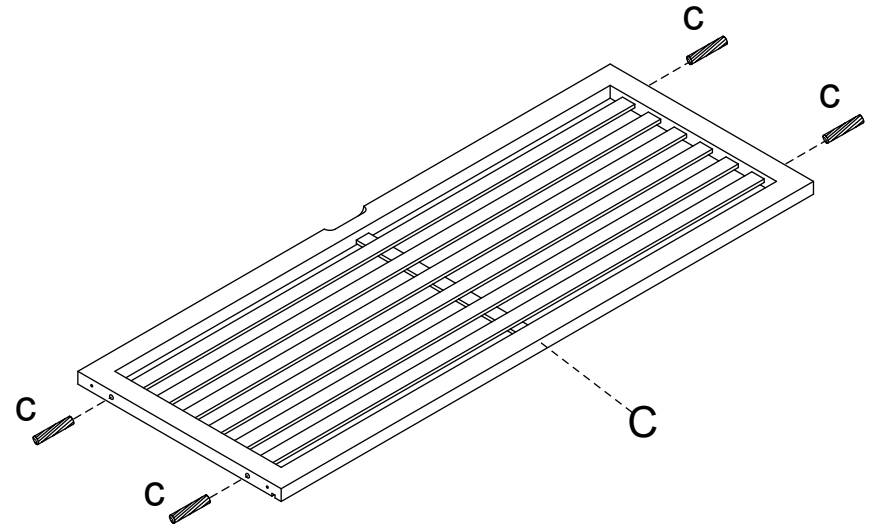
DO NOT TIGHTEN THE SCREWS UNTIL THE PRODUCT IS FULLY ASSEMBLED.


STEP 1



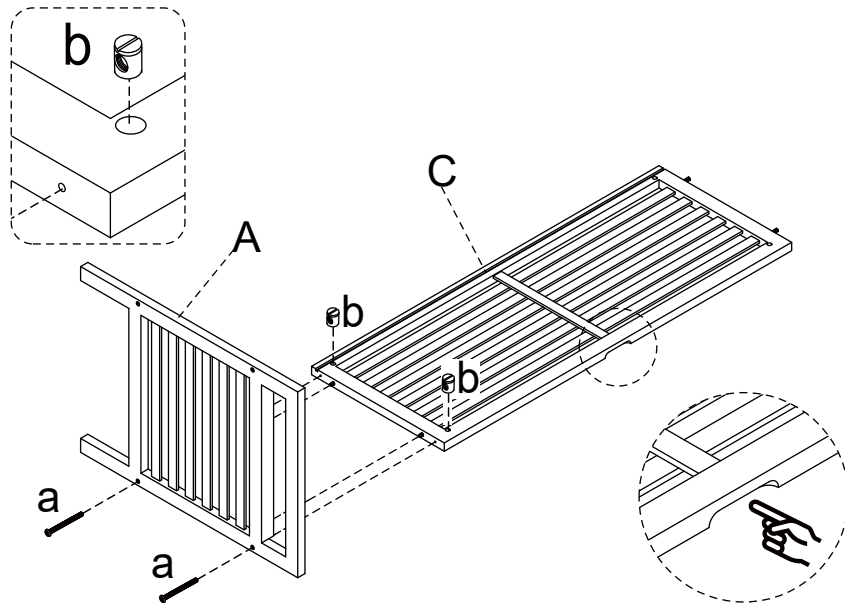
 c X 4  d X 6  e X 3



STEP 2



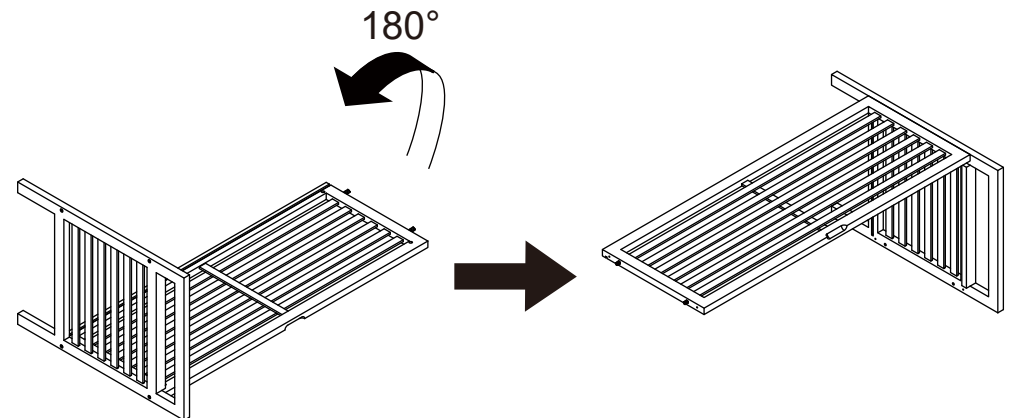
 c X 4

STEP 3

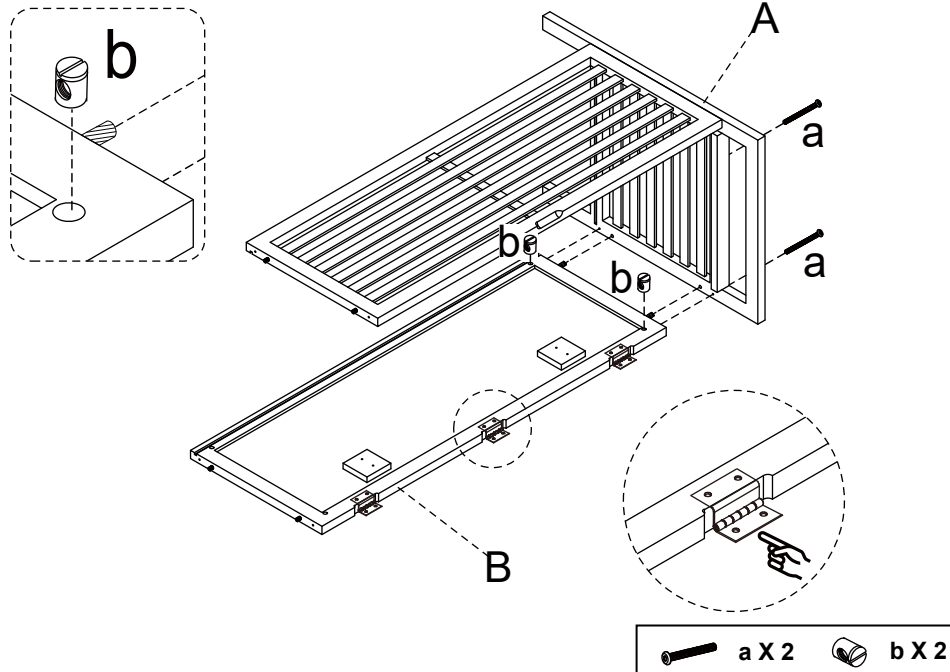


 a X 2  b X 2

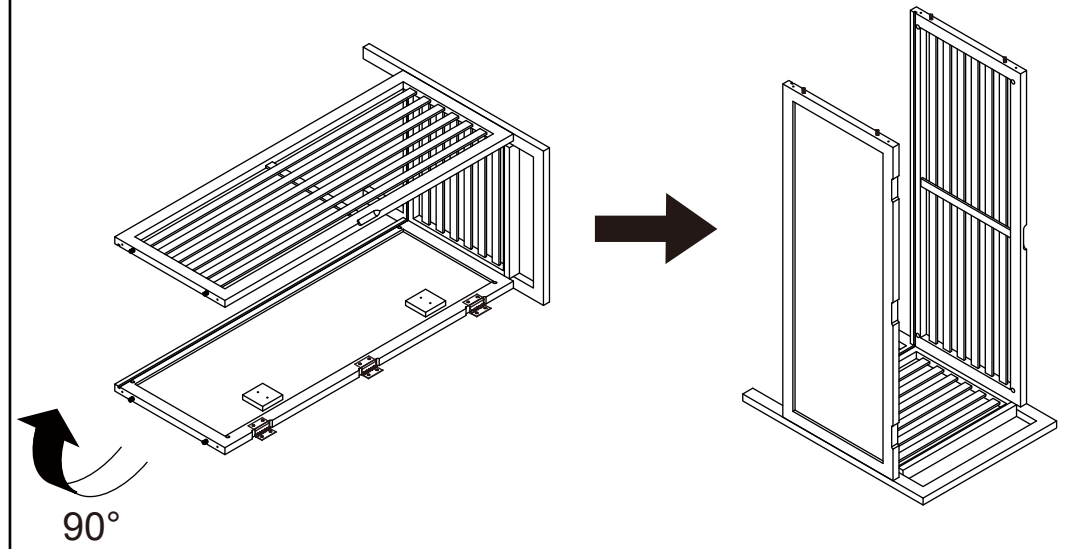
STEP 4



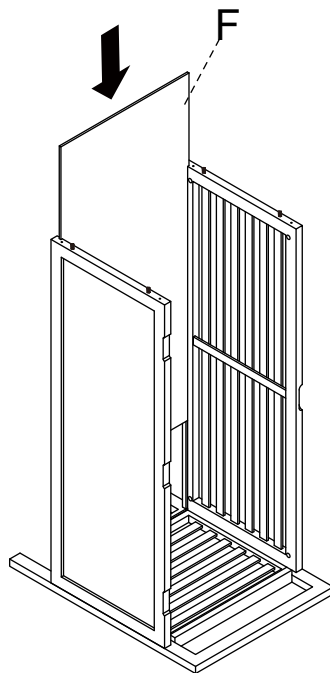
STEP 5



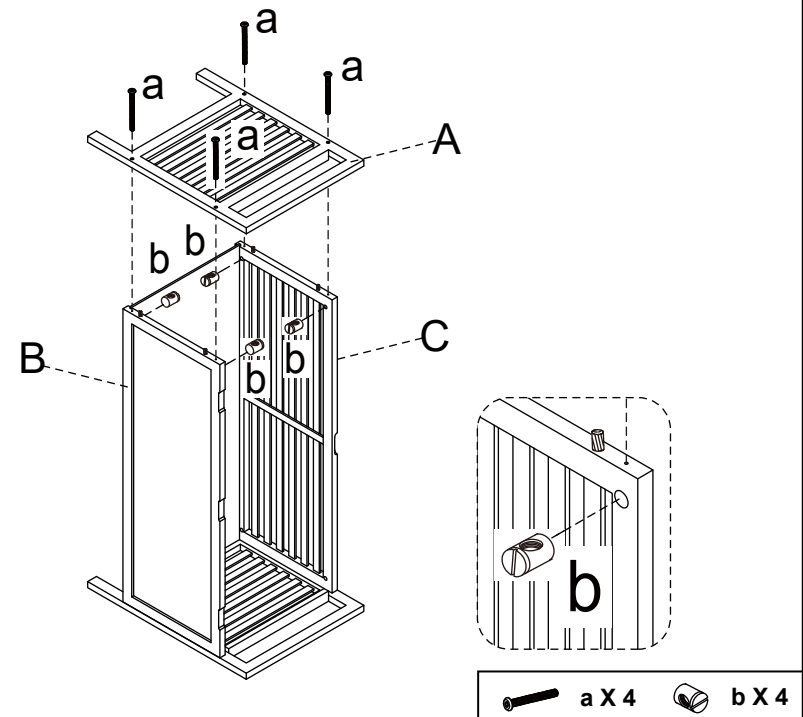
STEP 6



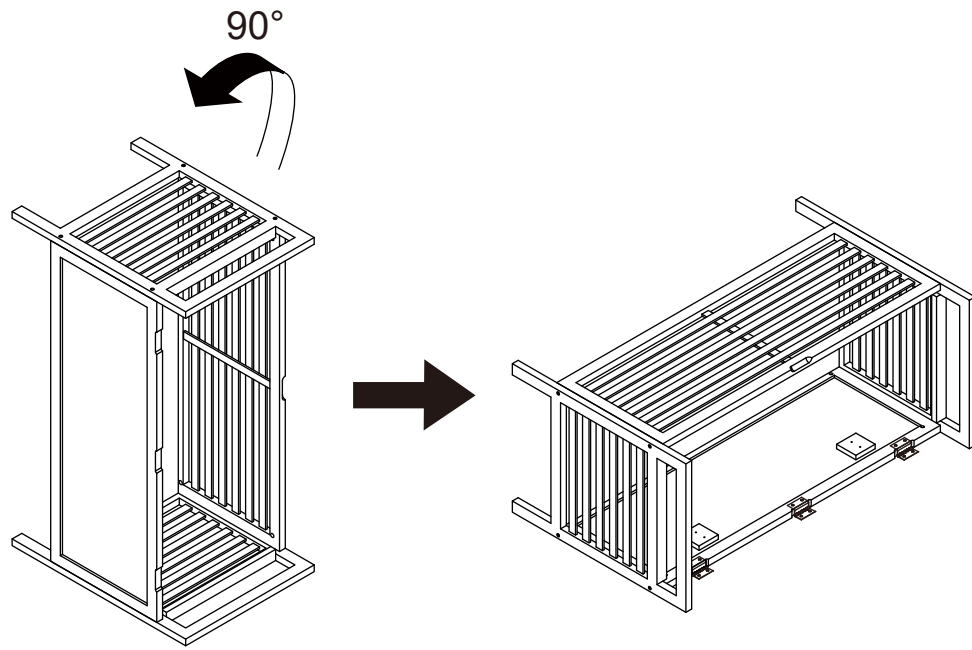
STEP 7



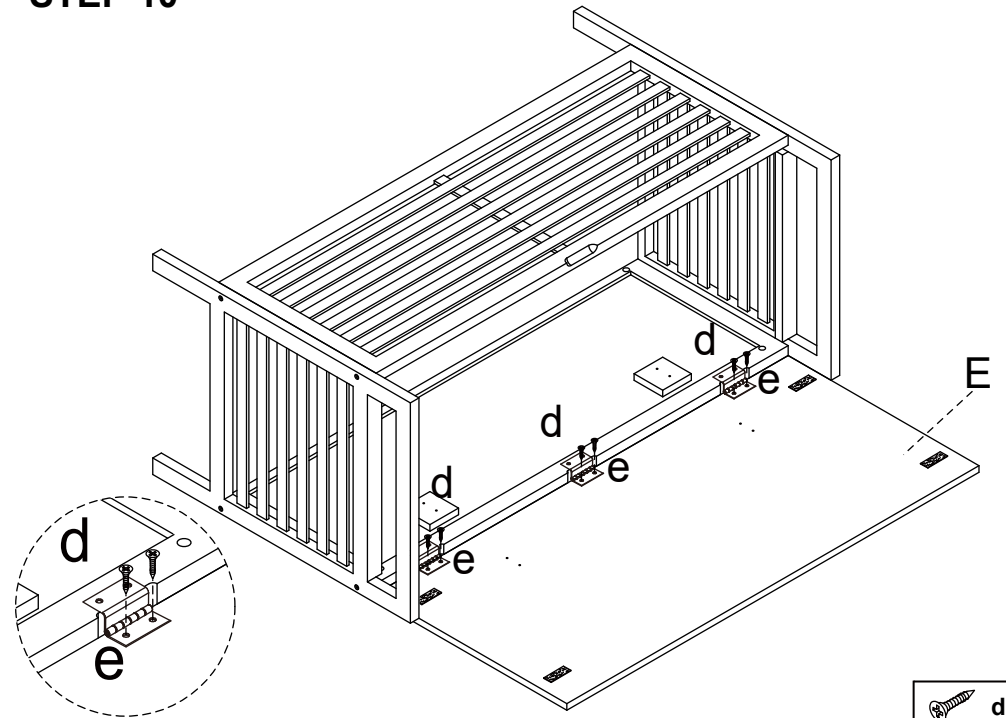
STEP 8



STEP 9

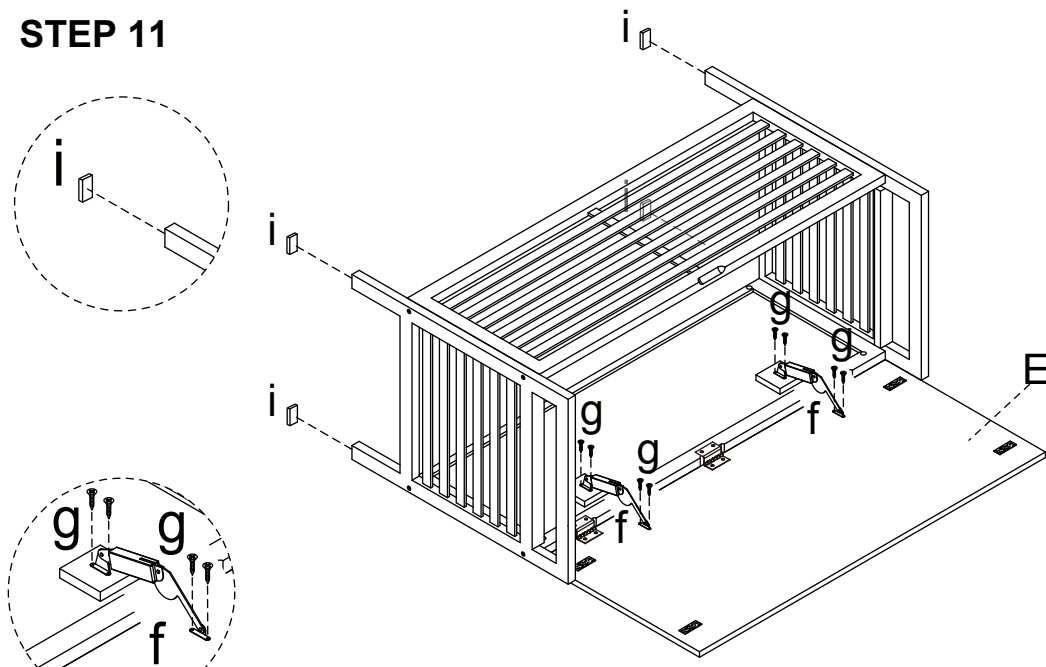


STEP 10



d X 6

STEP 11



f X 2 g X 8 i X 4

STEP 12

