

Assembly Instructions

43153923 FRASER RATTAN HALL TABLE

CARE INSTRUCTIONS:




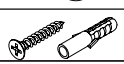

TO BE ASSEMBLED ON A CLEAN, DRY AND SMOOTH SURFACE. WIPE CLEAN WITH A SOFT DAMP CLOTH. NEVER USE SCOURERS, ABRASIVES OR CHEMICAL SOLVENTS. CHECK AND TIGHTEN ALL PARTS REGULARLY. DO NOT USE ABRASIVE MATERIALS AND SOLVENTS. KEEP AWAY FROM WATER AND DIRECT SUNLIGHT. STORE IN A DRY PLACE. FOR INDOOR AND DOMESTIC USE ONLY. DO NOT PLACE VERY HOT OR VERY COLD ITEMS ON THE GLASS SURFACE. DO NOT STRIKE THE GLASS WITH HARD OR POINTED ITEMS.

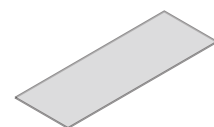
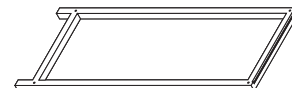
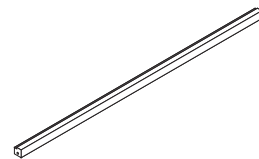
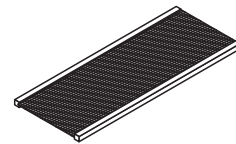
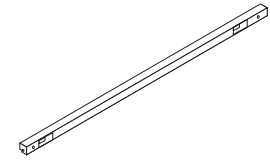
WARNING:

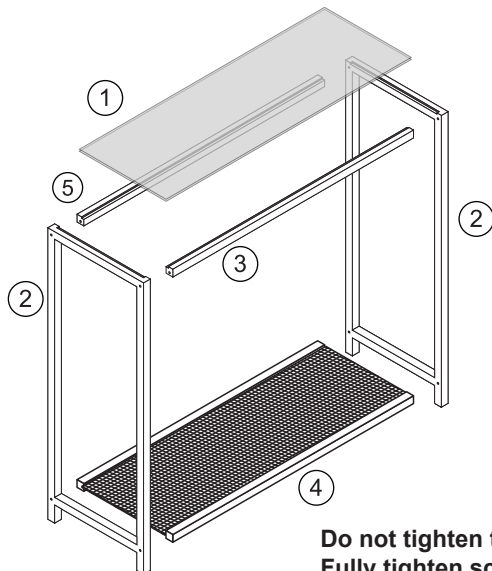
DO NOT SIT OR STAND ON THIS TABLE. DO NOT USE THIS TABLE AS A STEP LADDER. USE ONLY ON A FLAT SURFACE. DO NOT USE THIS TABLE UNLESS ALL BOLTS AND SCREWS ARE FIRMLY SECURED. DO NOT PLACE HOT OBJECTS SUCH AS COFFEE CUPS DIRECTLY ON THE SURFACE OF THIS UNIT. THIS PACKAGE CONTAINS SMALL PARTS AND SHARP POINTS. KEEP AWAY FROM CHILDREN AND BABIES. ADULT ASSEMBLY REQUIRED. FAILURE TO FOLLOW THESE WARNINGS COULD IN SERIOUS INJURY.

MAXIMUM SAFE LOAD: 20KG FOR TOP, 10KG FOR SHELF.

Hardware list

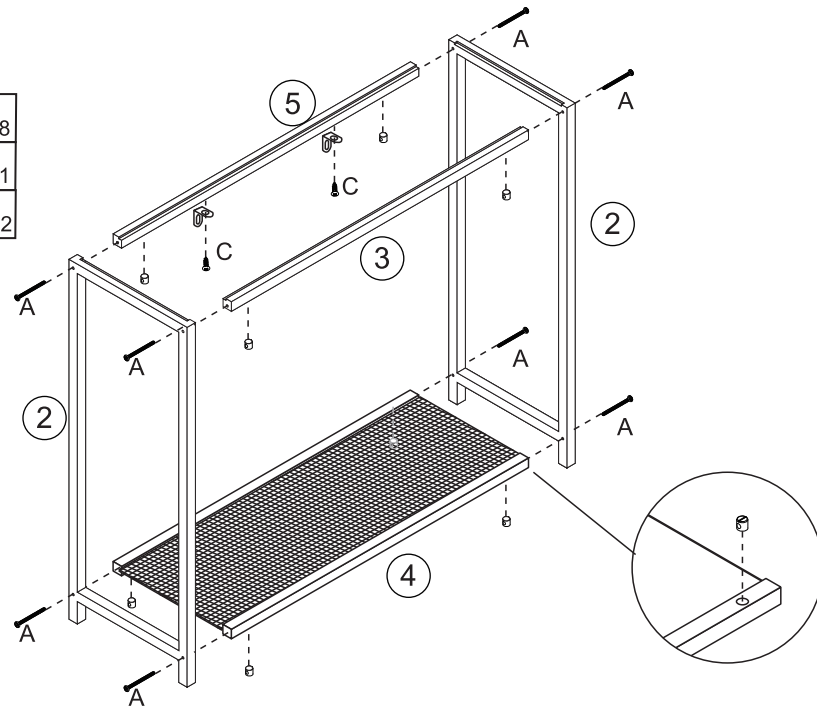
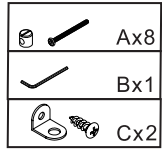
	A	M6x65mm	8PCS
	B		1PC
	C	M3x12mm	2PC
	D	M4x35mm	2PCS
	E		4PCS

		
① 1PC	② 2PCS	③ 1PC
		
④ 1PC	⑤ 1PC	

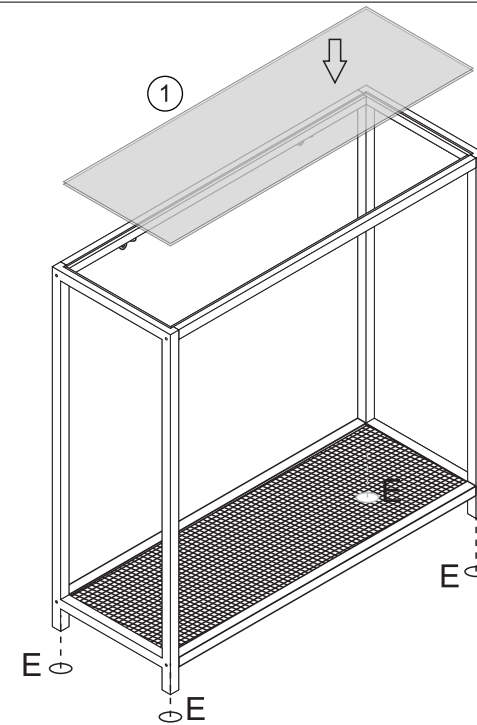


**Do not tighten the screws fully during assembly.
Fully tighten screws after the final assembly steps**

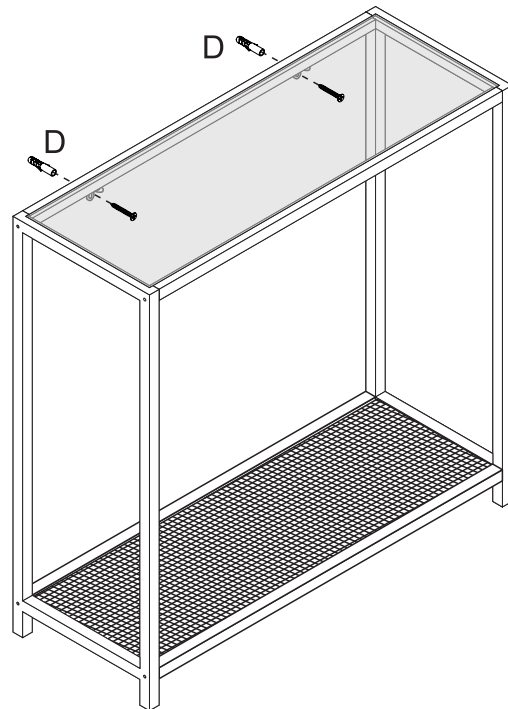
STEP 1:



STEP 2:



STEP 3:



User instructions should include the wording:

- **It is strongly recommended that this product is permanently fixed to the wall.**
- **Please seek professional advice if you are in doubt of what fixing device to use.**
- **Regularly check that anchors are securely maintained.**
- **Stability of tall items may be affected by thick pile carpet or uneven floors .**
- **Do not place unanchored televisions on furniture .**

CAUTION: for your safety when attaching the anchor fixings, please note the following:

- **Check any electrical wires or plumbing inside the wall before drilling any holes (if you are unsure please seek professional advice from a qualified tradesperson).**



WARNING: PLEASE SECURE YOUR FURNITURE WITH THE SUPPLIED WALL FIXING. SCAN THE CODE FOR MORE INFORMATION.

