




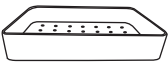



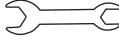


# ASSEMBLY INSTRUCTIONS

## 43155637\_3 TIER KITCHEN TROLLEY PINK

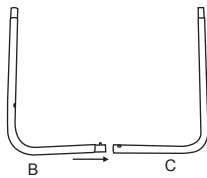
**Important:**

1. Please read these instructions before assembling the product.
2. Ensure you have all parts listed before commencing assembly.
3. Clean before first use using a clean soft cloth and mild detergent, wipe dry. Do not immerse product.
4. Keep this leaflet for future reference.

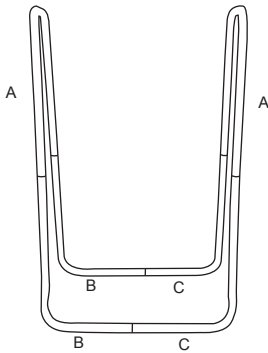
### PART LIST

									
Ax2	Bx2	Cx2	Dx3	Ex12	Fx12	Gx12	Hx1	Ix2	Jx2

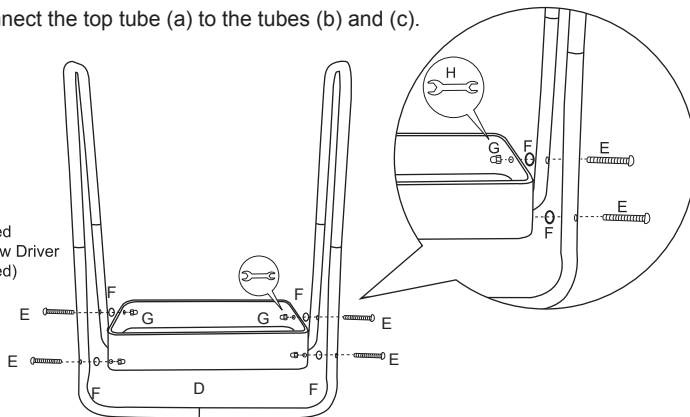
### ASSEMBLY INSTRUCTIONS



1. Connect the bottom tube (b) and (c) together.



2. Connect the top tube (a) to the tubes (b) and (c).

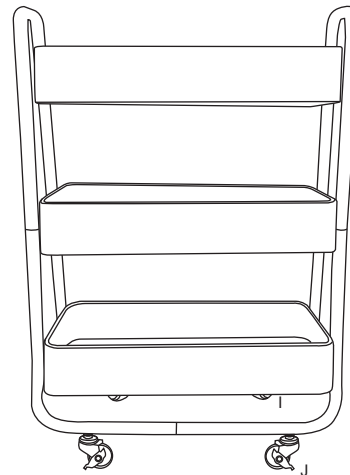


Tool required  
Phillips Head Screw Driver  
(Not Provided)

3. Assemble the bottom tray first, using (e)(f)(g) to connect the tray and tube frame together. Use the spanner (h) to fix the nut (g).



4. Assemble the middle tray and top tray as per step 3.



5. Assemble the wheels (i)(j) to the bottom. Use the spanner (h) to tighten.