

anko

User Manual

COLLAPSIBLE DRINK DISPENSER WITH TAP

Keycode: 43156153



IMPORTANT: KEEP FOR FUTURE REFERENCE.READ CAREFULLY.

PARTS LIST



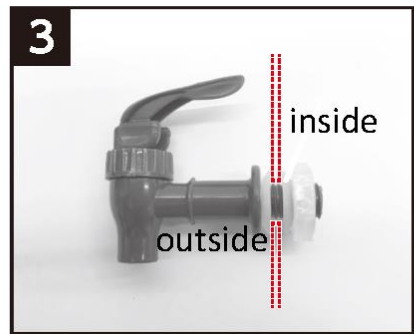
HOW TO ASSEMBLE



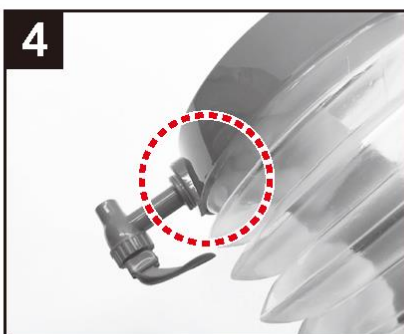
1. Open the lid



2. Unfold the dispenser



3. Assemble the sealing ring as picture show



4. Screw the nut inside



5. Turn tight the lid



6. Ready to use

NOTE: THE LID MUST TURN TIGHT BEFORE HOLDING THE TAP