

INSTRUCTION MANUAL

43157150

[KMT085]

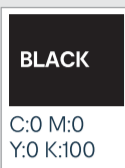
5107_MAN_43157150_Cardioidmic_V3

Artwork Proof Date: 02.24.2022
Number of artboards: 1

PAPER:

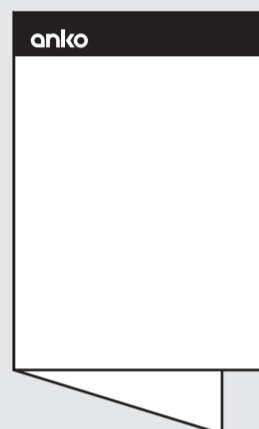
80gsm
Bright white uncoated paper

PRINT COLOURS:



PRINT FINISH:

Double sided
Folded in the centre



CHANGE LOG CREST INTERNAL USE ONLY

v3: changed headphone to microphone on point 4 on overview

ARTWORK SHOULD NOT BE AMENDED WITHOUT PRIOR AGREEMENT FROM CREST.
ALL ARTWORK MUST BE APPROVED BY CREST PRIOR TO MASS PRODUCTION.
IF THERE ARE QUERIES ABOUT THIS ARTWORK PLEASE CONTACT:
EMAIL: design@crest.com.au

THANK-YOU.

 © The Crest Company 2022. All rights reserved.

anko

USB Microphone with RGB Lights Operating Instructions

Includes:
› RGB microphone
› USB-C cable
› user manual



43-157-150

12 month warranty

Thank you for your purchase from Kmart.

Kmart Australia Ltd warrants your new product to be free from defects in materials and workmanship for the period stated above, from the date of purchase, provided that the product is used in accordance with the accompanying recommendations or instructions where provided. This warranty is in addition to your rights under the Australian Consumer Law.

Kmart will provide you with your choice of a refund, repair or exchange (where possible) for this product if it becomes defective within the warranty period. Kmart will bear the reasonable expense of claiming the warranty. This warranty will no longer apply where the defect is a result of alteration, accident, misuse, abuse or neglect.

Please retain your receipt as proof of purchase and contact our Customer Service Centre on **1800 124 125 (Australia)** or **0800 945 995 (New Zealand)** or alternatively, via Customer Help at **kmart.com.au** for any difficulties with your product. Warranty claims and claims for expense incurred in returning this product can be addressed to our Customer Service Centre at 690 Springvale Rd, Mulgrave Vic 3170.

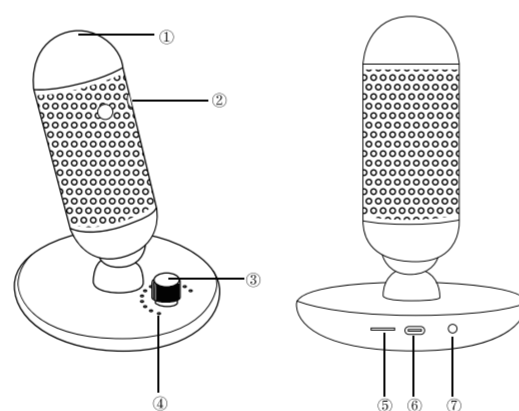
Our goods come with guarantees that cannot be excluded under the Australian Consumer Law. You are entitled to a replacement or refund for a major failure and compensation for any other reasonably foreseeable loss or damage. You are also entitled to have the goods repaired or replaced if the goods fail to be of acceptable quality and the failure does not amount to a major failure.

For New Zealand customers, this warranty is in addition to statutory rights observed under New Zealand legislation.



v3

Function Overview

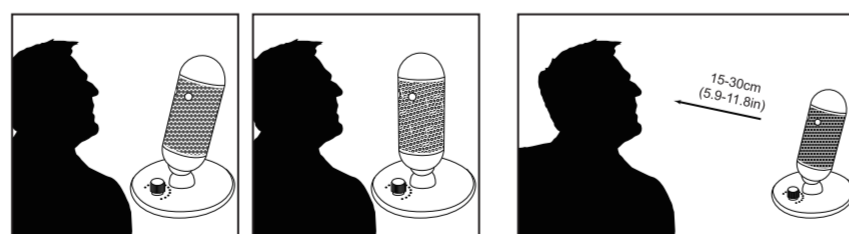


- 1 RGB light on/off touch panel
- 2 Fixed indicator light (Green/Red)
- 3 Microphone Volume knob/mute button
- 4 Microphone volume level
- 5 Headset volume wheel
- 6 USB-C port
- 7 3.5mm monitor headset jack

How to use this Speaker

Getting started

- › Rotate the microphone at 45° frontwards or backwards with the Mute button facing you. Plug in monitor headphone after adjusting the microphone to your desired angle.

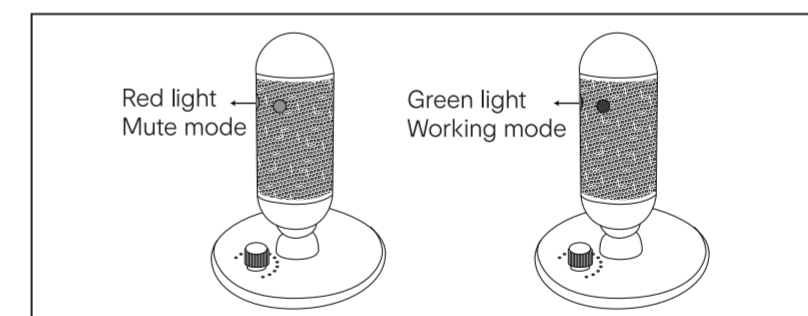


Microphone using

- › Connect the microphone to your computer with the supplied USB-C cable and plug monitor headphone (not included) to microphone.
Note: Avoid plugging microphone into USB hubs or multipliers, plug directly into your computer for best performance.
- › The microphone RGB light will be lit when plugged into your computer and the Fixed indicator light will turn green for working mode.
Note: Select USB Mic as input & output device on your computer system.
- › Turn Microphone Volume/Mute button to control microphone volume, total of 12 volume levels

Mute the microphone

- › Press Microphone Volume knob/mute button to switch to mute mode, Fixed indicator light will turn red.
- › Press Microphone Volume knob/mute button again to switch to working mode, Fixed indicator light will turn green

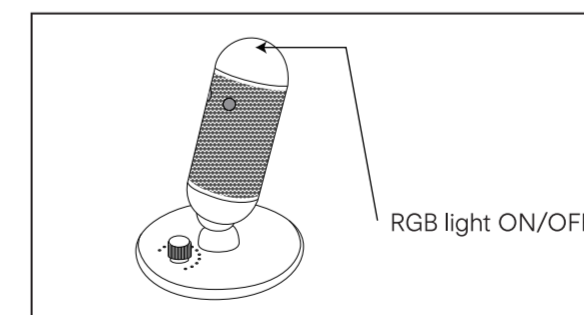


Monitor headset volume adjusting

- › Turn Headset volume wheel left or right to adjust monitor headset's volume

RGB light On/Off

- › Touch RGB light on/off touch panel of the microphone to turn on/off RGB light.



Specification:

Model No: 43157150
Microphone Core: 14mm x 1
Pickup Pattern: Cardioid
Sensitivity: -35dB

Frequency Response: 50Hz-20kHz
Maximum sound pressure level: 120dB
Bit Rate: 24bit
Power Input: 5V d.c./200mA