

Assembly Instructions

43158294 GARMENT RACK WITH MEHS BINS

CARE INSTRUCTIONS:

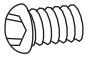

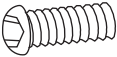


WIPE CLEAN WITH A SOFT DRY CLOTH. KEEP AWAY FROM WATER AND DIRECT SUNLIGHT.
FOR INDOOR AND DOMESTIC USE. CHECK AND TIGHTEN ALL PARTS REGULARLY.



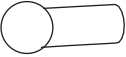
WARNING:

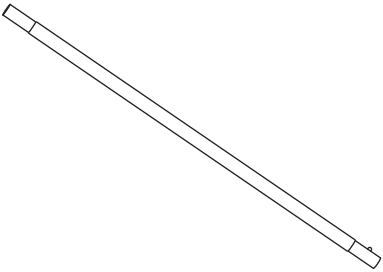
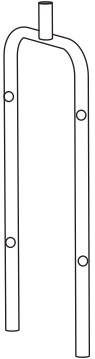
DO NOT STAND OR SIT ON THE UNIT. DO NOT LEAN ON THE PRODUCT. USE ONLY ON A FLAT SURFACE. DO NOT USE UNTIL ALL SCREWS, BOLTS AND KNOBS ARE FIRMLY SECURED. THIS PRODUCT CONTAINS SMALL PARTS AND SHARP POINTS, KEEP AWAY FROM CHILDREN AND BABIES. ADULT ASSEMBLY REQUIRED. FAILURE TO FOLLOW THESE WARNINGS COULD RESULT IN SERIOUS INJURY.

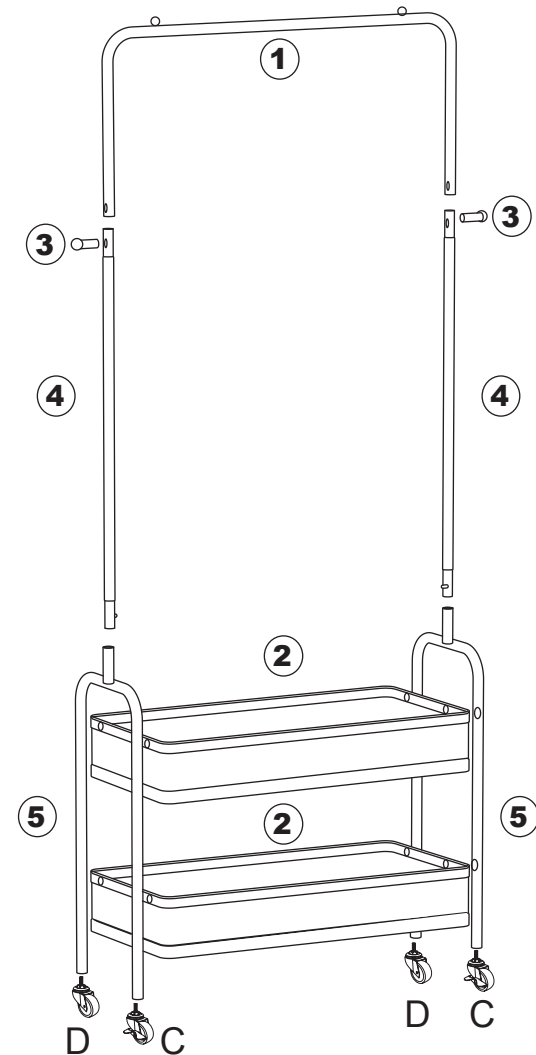
MAXIMUM SAFE LOAD: :10KGS FOR CLOTH RAIL, 8KGS FOR EACH BASKET , 2KGS FOR HANGER

Hardware list

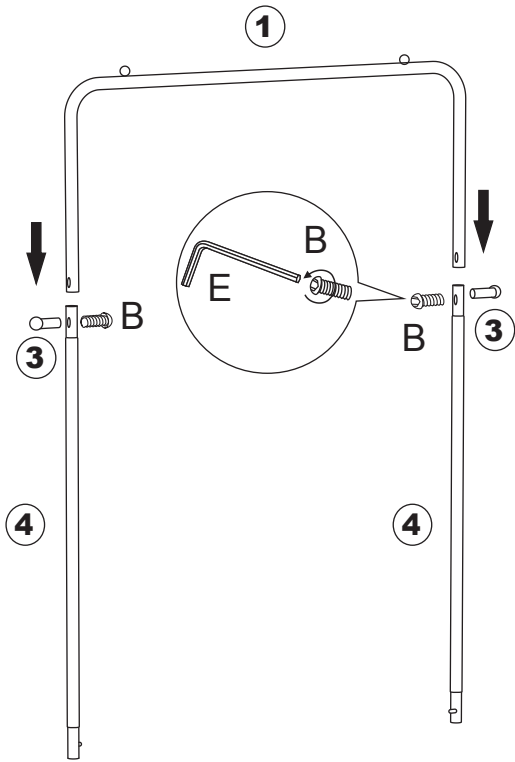
	A	Screw	9 PCS		D	Wheels	2 PCS
	B	Screw	2 PCS		E	Hex Key	1 PC
	C	Wheels	2 PCS				

	①	1PC		②	2PCS		③	2 PCS
---	---	-----	--	---	------	--	---	-------

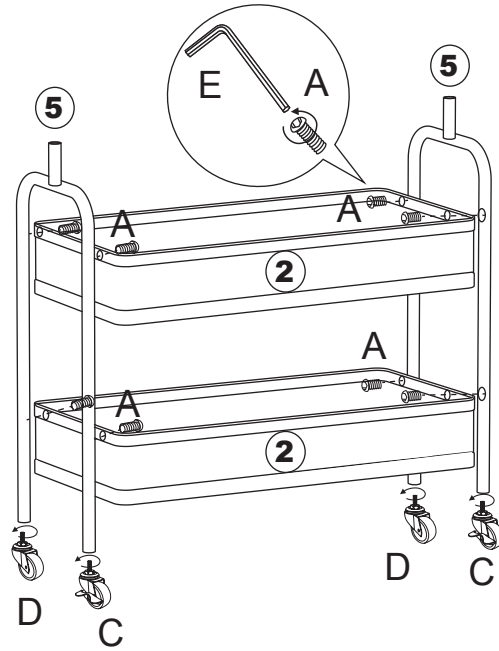
	④	2 PCS		⑤	2 PCS
---	---	-------	---	---	-------



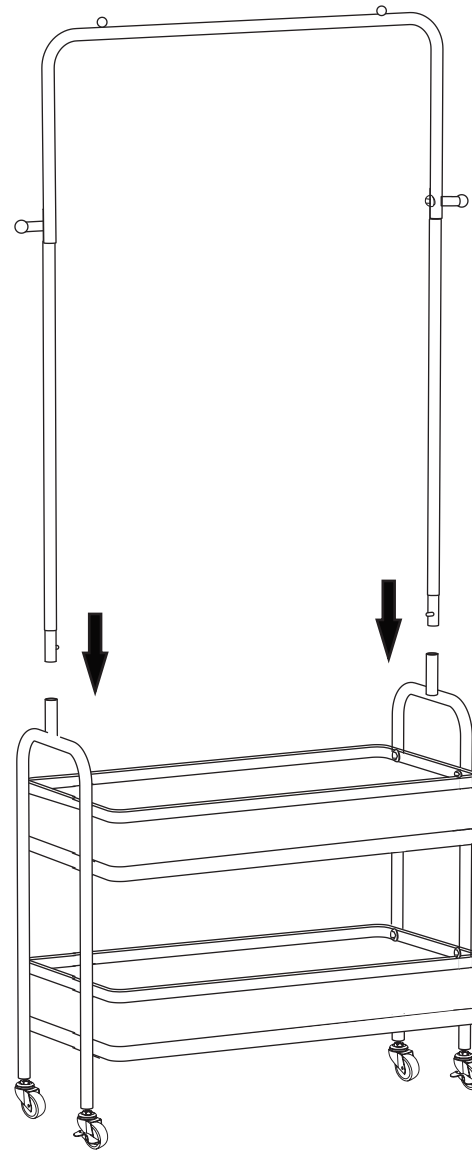
STEP 1



STEP 2



STEP 3



STEP 4

