

Assembly Instructions

43158362 3 COMPARTMENT RATTAN SHOE CABINET

ATTENTION: DO NOT TIGHTEN THE SCREWS UNTIL THE PRODUCT IS FULLY ASSEMBLED.FOR INDOOR USE ONLY.

CARE INSTRUCTION: WIPE CLEAN WITH A SOFT DRY OR DAMP CLOTH. KEEP AWAY FROM WATER AND DIRECT SUNLIGHT. CHECK AND TIGHTEN ALL PARTS REGULARLY.

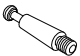




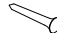



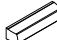




WARNING: DO NOT STAND OR SIT ON THE UNIT. DO NOT LEAN ON THE PRODUCT. DO NOT DRAG THE PRODUCT. USE ONLY ON A FLAT SURFACE. DO NOT USE UNTIL ALL SCREWS, BOLTS AND KNOBS ARE FIRMLY SECURED.THIS PRODUCT CONTAINS SMALL PARTS AND SHARP POINTS, KEEP AWAY FROM CHILDREN AND BABIES. ADULT ASSEMBLY REQUIRED. FAILURE TO FOLLOW THESE WARNINGS COULD RESULT IN SERIOUS INJURY.

MAXIMUM SAFE LOAD: 10KG FOR TOP PANEL, 5KG FOR EACH COMPARTMENT.

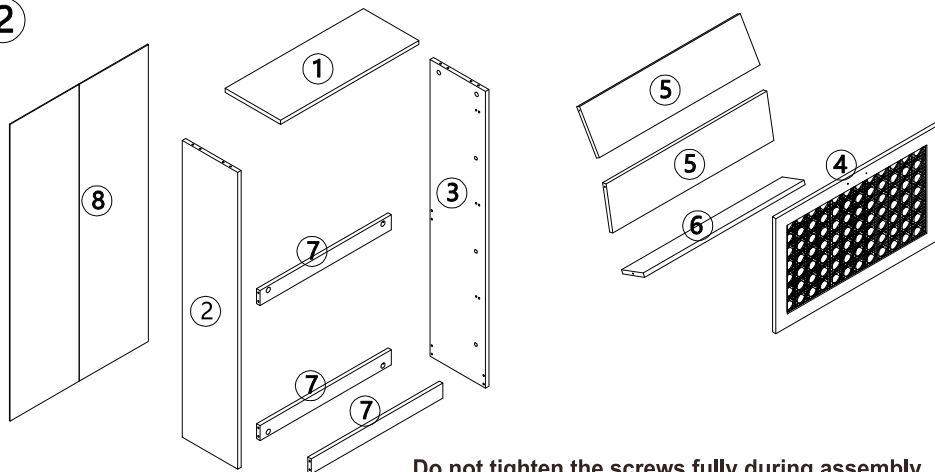
IT IS RECOMMENDED FOR 2 PEOPLE TO ASSEMBLE/MOVE THIS ITEM TO AVOID ANY POTENTIAL INJURY AND/OR DAMAGE.

①

Hardware List

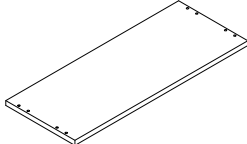
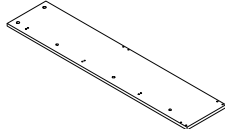
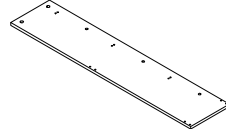
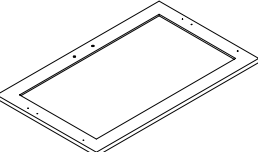
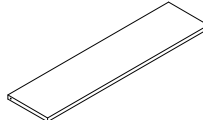
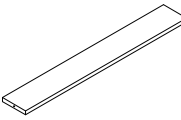
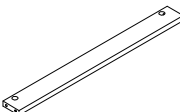
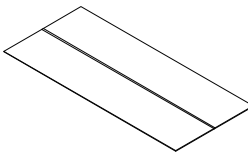
| | | | | | | | |
|---|---|-----------|-------|---|---|---------|-------|
|  | a | M6x35mm | 10pcs |  | h | M4x12mm | 18pcs |
|  | b | Ø15x9.5mm | 10pcs |  | i | | 6pcs |
|  | c | Ø6x30mm | 10pcs |  | j | M2x16mm | 18pcs |
|  | d | | 6pcs |  | k | M4x25mm | 24pcs |
|  | e | | 6pcs |  | l | | 3pcs |
|  | f | | 3pcs |  | m | M4x12mm | 6pcs |
|  | g | | 3pcs |  | n | | 2pcs |

②



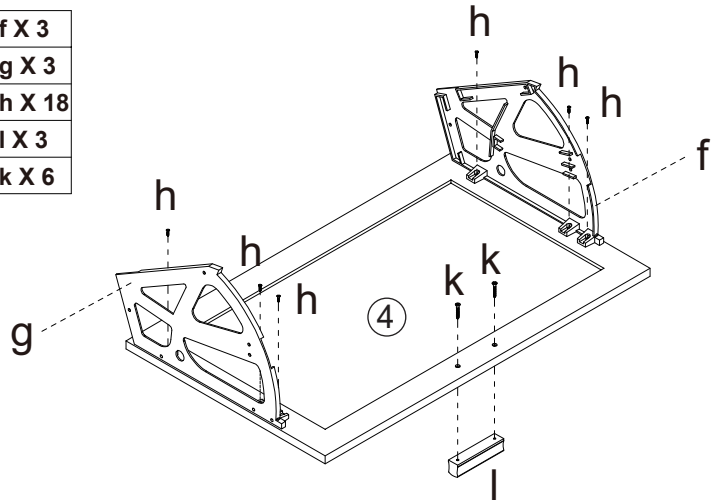
Do not tighten the screws fully during assembly.
Fully tighten screws after the final assembly steps

③

| | | |
|---|---|--|
|  |  |  |
| ① 1PC | ② 1PC | ③ 1PC |
|  |  |  |
| ④ 3PCS | ⑤ 6PCS | ⑥ 3PCS |
|  |  | |
| ⑦ 3PCS | ⑧ 1PC | |

STEP 1

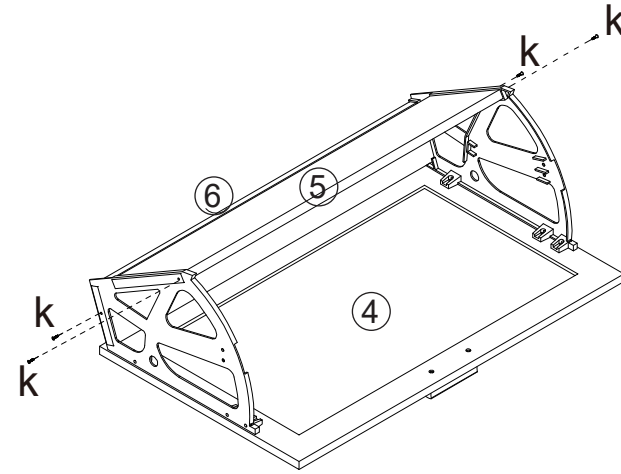
- f X 3
- g X 3
- h X 18
- l X 3
- k X 6



X 3

STEP 2

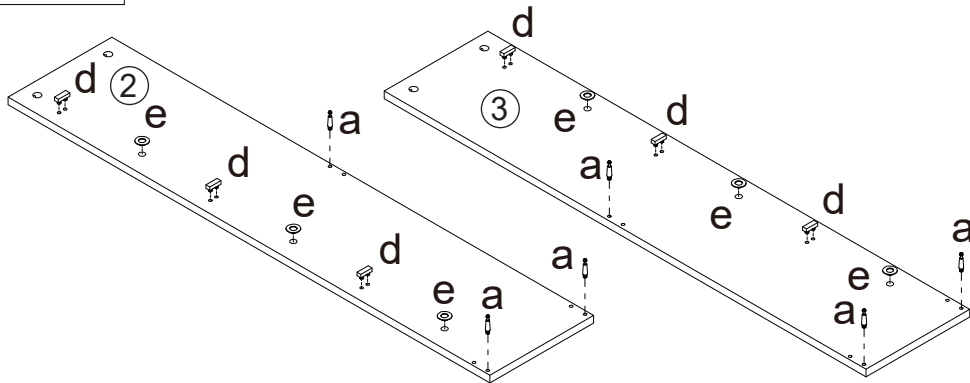
- k X 12



X 3

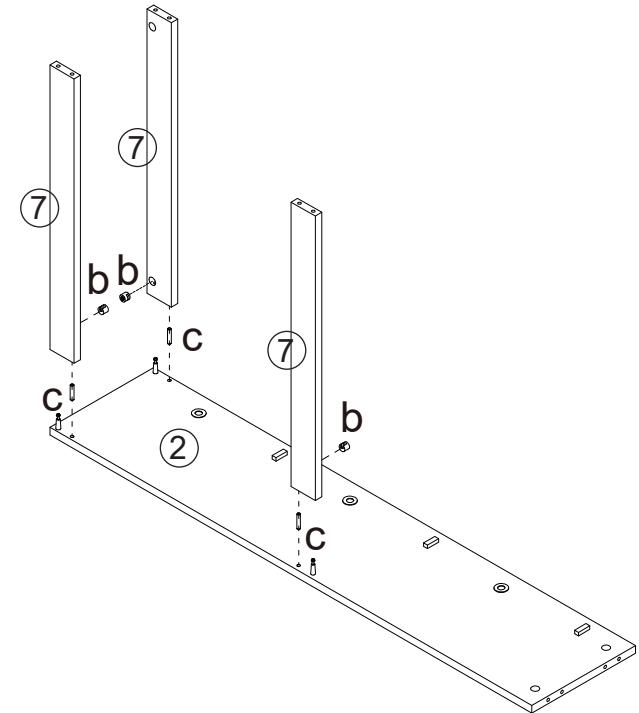
STEP 3

- a X 6
- d X 6
- e X 6





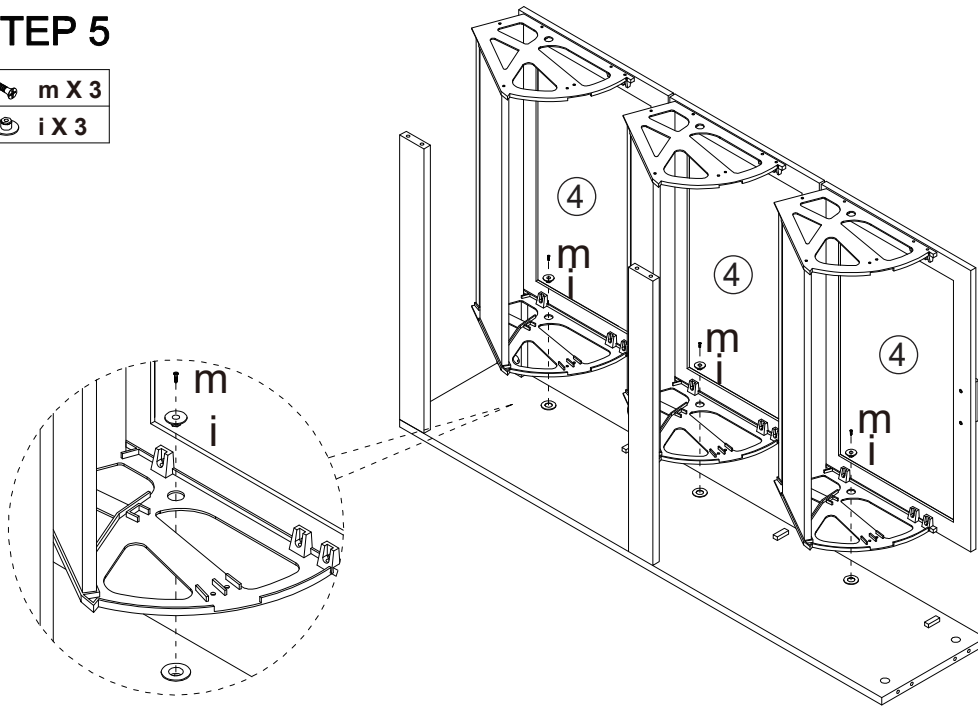
STEP 4

- b X 3
- c X 3







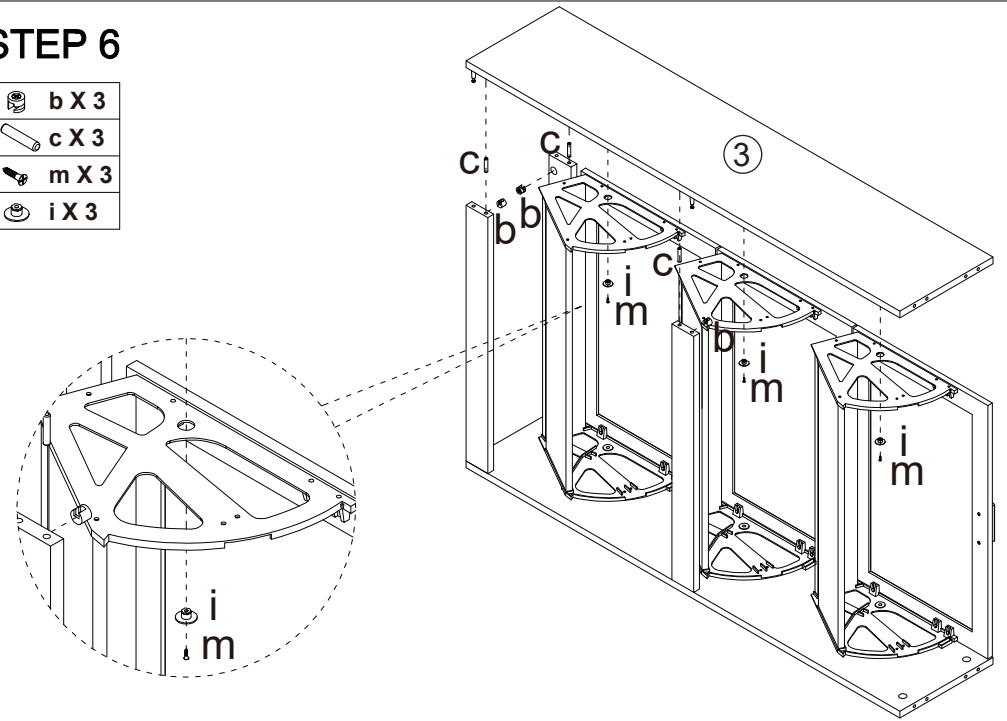
STEP 5

-  m X 3
-  i X 3






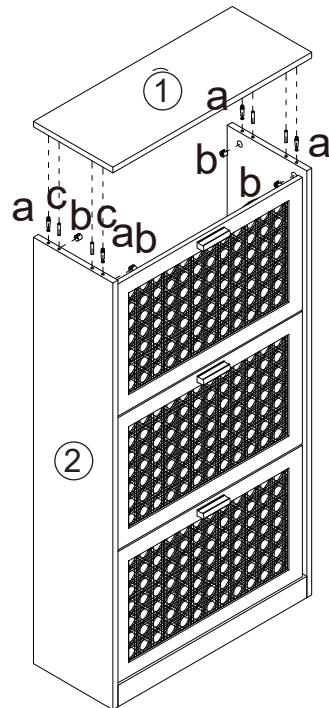
STEP 6

-  b X 3
-  c X 3
-  m X 3
-  i X 3



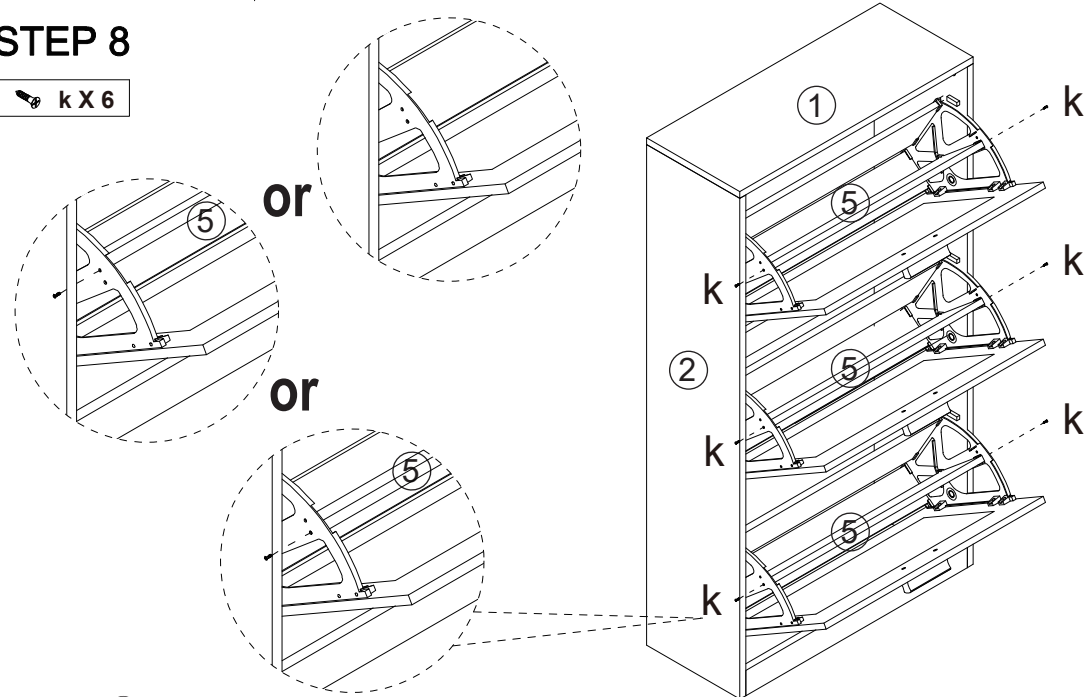
STEP 7

-  a X 4
-  b X 4
-  c X 4



STEP 8

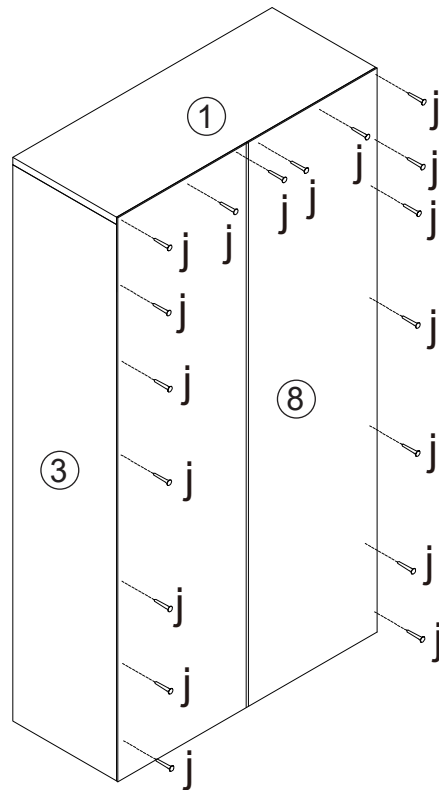
-  k X 6



NOTE: Board ⑤ is adjustable or removable to fit different shoes sizes.

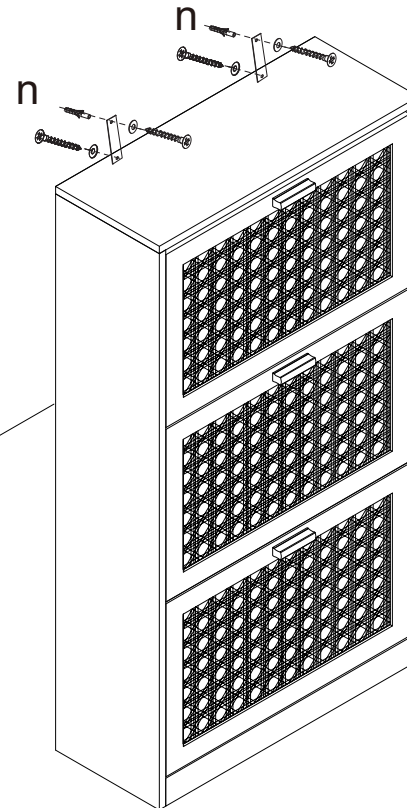
STEP 9

j X 18



STEP 10

n X 2



WARNING:

- It is strongly recommended that this product is permanently fixed to the wall.
- Please seek professional advice if you are in doubt of what fixing device to use.
- Regularly check that anchors are securely maintained.
- Stability of tall items may be affected by thick pile carpet or uneven floors .
- Do not place unanchored televisions on furniture .

CAUTION: for your safety when attaching the anchor fixings, please note the following:

- Check any electrical wires or plumbing inside the wall before drilling any holes (if you are unsure please seek professional advice from a qualified tradesperson).



TOPPLING HAZARD

WARNING: PLEASE SECURE YOUR FURNITURE WITH THE SUPPLIED WALL FIXING. SCAN THE CODE FOR MORE INFORMATION.

