

Assembly Instructions

43158904 GARMENT RACK WITH 2 DRAWERS

ATTENTION:




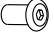




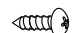
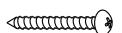
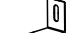



DO NOT TIGHTEN THE SCREWS UNTIL IT HAS BEEN FULLY ASSEMBLED.

FOR INDOOR USE ONLY.

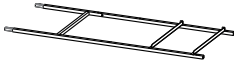








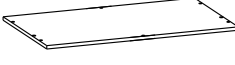

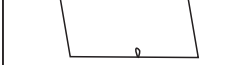

MAXIMUM LOADING WEIGHT: 10KG FOR CLOTHES RAIL, 5KG FOR EACH SHELF, 4KG FOR EACH DRAWER.

Hardware List

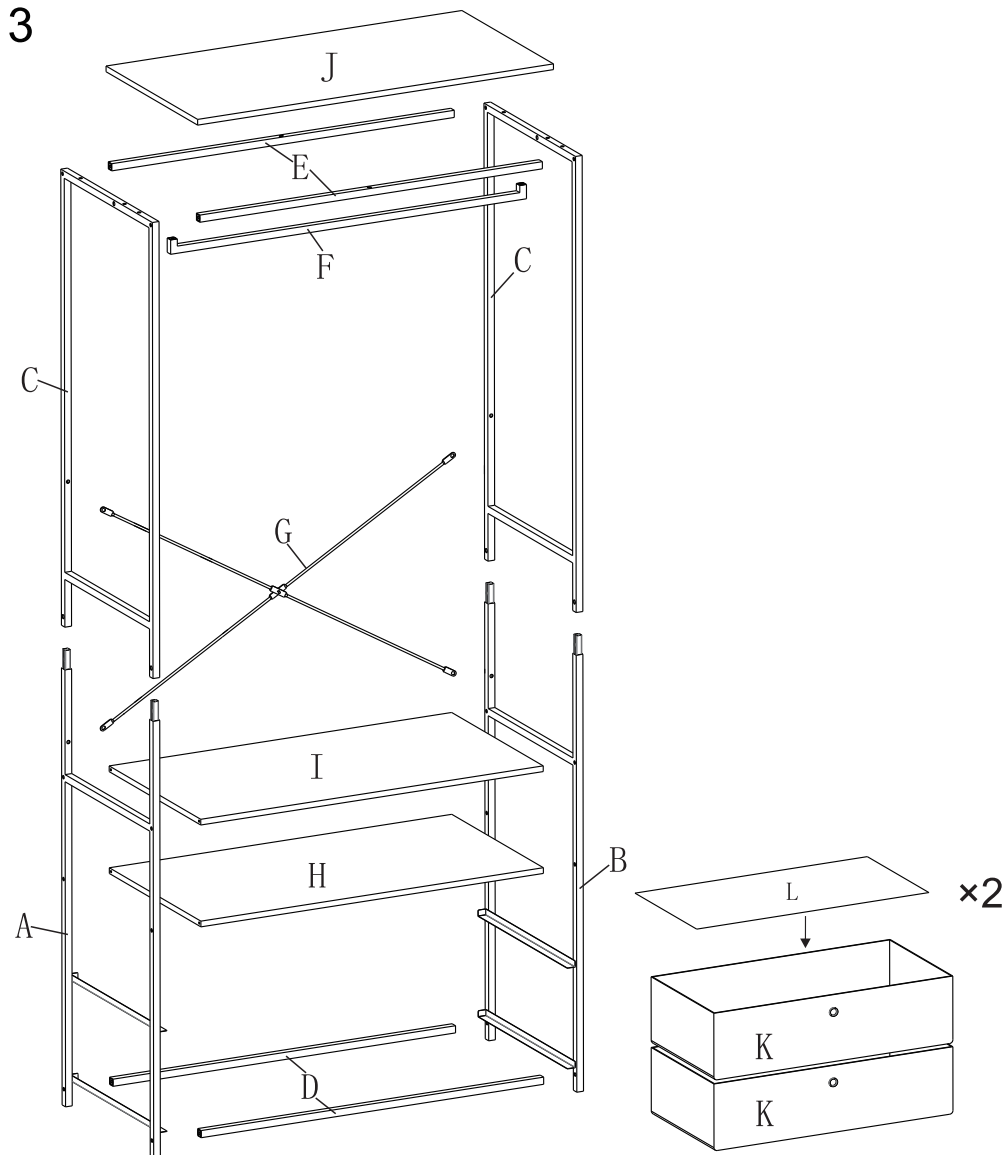
1

	a	M6	4pcs		b	M6	4pcs
	c	M6x25	2pcs		d	M6x13	4pcs
	e	M6x9	4pcs		f	M6x22	20pcs
	g	6.3x40	8pcs		h	M6	4pcs
	i	st4.2x10	1pc		j	st4x40	1pc
	k	76x32	1pc		l	6x25	1pc
	m		2pcs		n		1pc

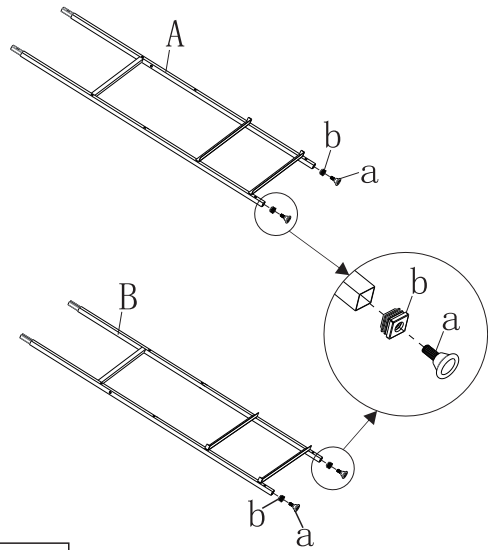
2



	A	1pc		B	1pc		C	2pcs		D	2pcs
	E	2pcs		F	1pc		G	1pc		H	1pc
	I	1pc		J	1pc		K	2pcs		L	2pcs
	M	1pc									

3

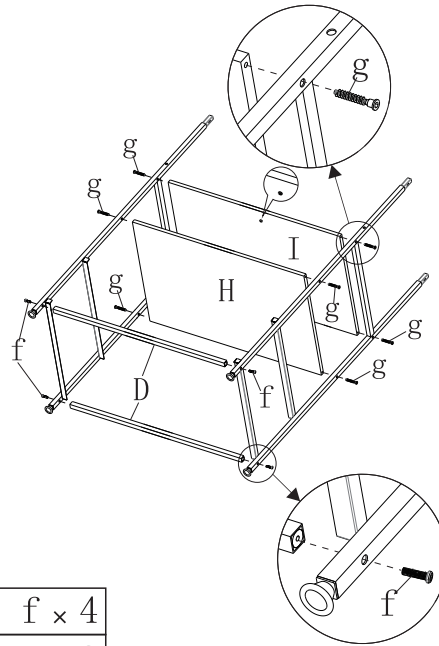




Step 1



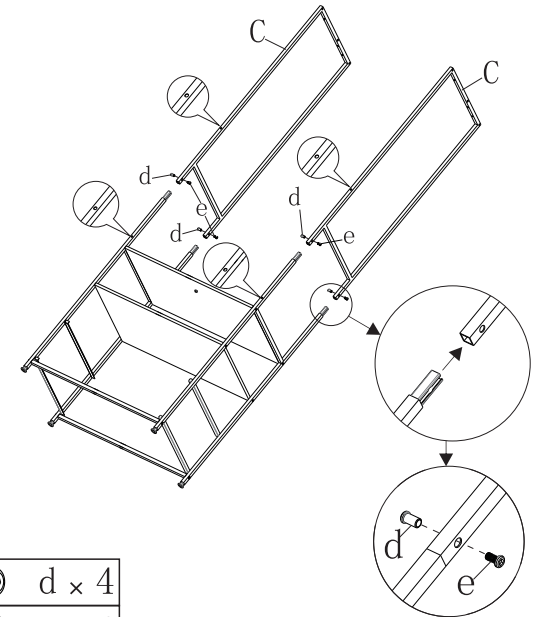
	a x 4
	b x 4



Step 2



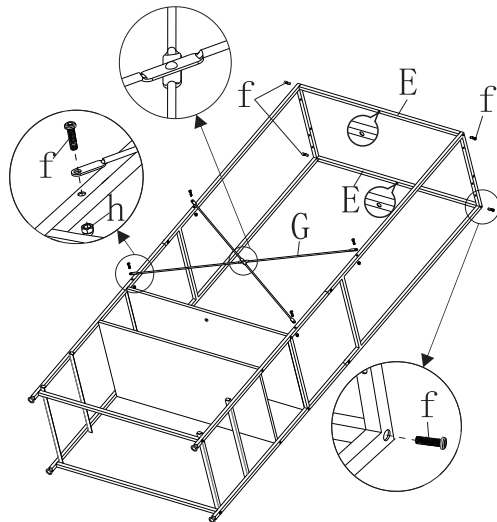
	f x 4
	g x 8



Step 3



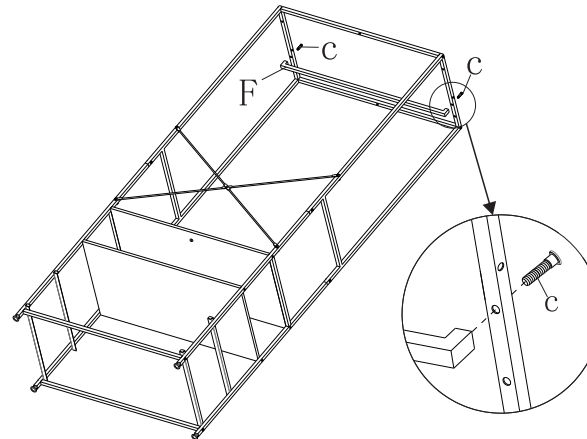
	d x 4
	e x 4

Step 4



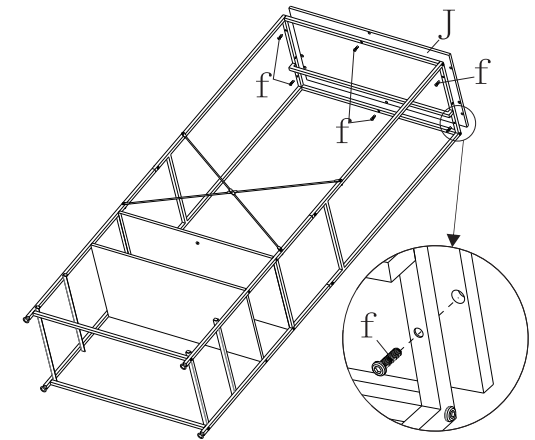
	f x 8
	h x 4


Step 5



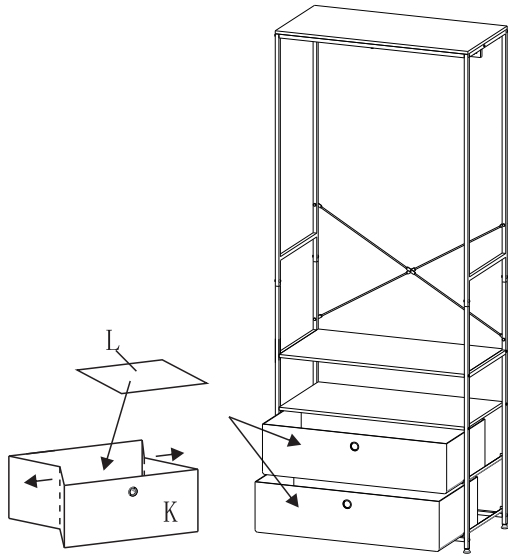
	c x 2
---	-------

Step 6

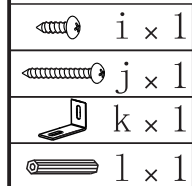
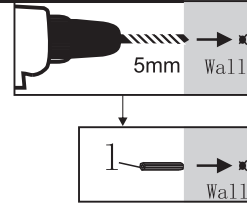
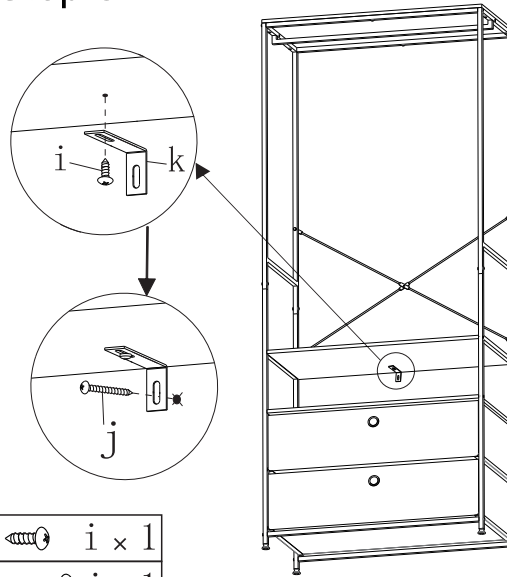


	f x 6
---	-------

Step 7



Step 8



WARNINGS:

- It is strongly recommended that this product is permanently fixed to the wall.
- Please seek professional advice if you are in doubt of what fixing device to use.
- Regularly check that anchors are securely maintained.
- Stability of tall items may be affected by thick pile carpet or uneven floors .
- Do not place unanchored televisions on furniture .

CAUTION: for your safety when attaching the anchor fixings, please note the following:

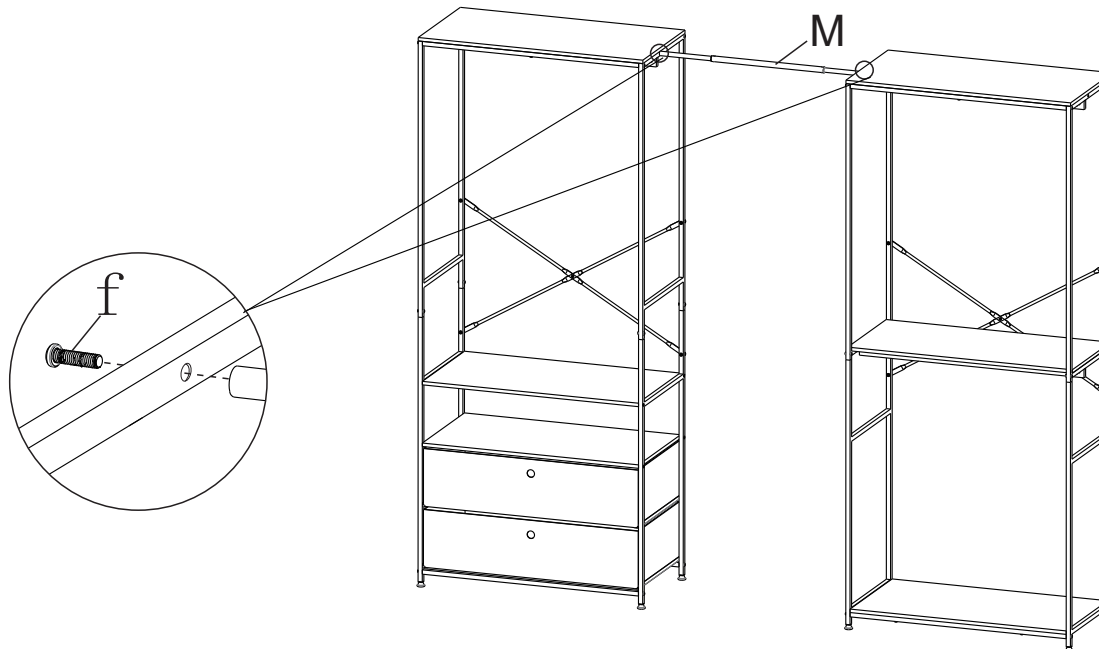
- Check any electrical wires or plumbing inside the wall before drilling any holes (if you are unsure please seek professional advice from a qualified tradesperson).



WARNING: PLEASE SECURE YOUR FURNITURE WITH THE SUPPLIED WALL FIXING. SCAN THE CODE FOR MORE INFORMATION.



Step 9



Shown with Garment Rack with 2 Rails(sold separately) + Extension Clothes Rail