

Assembly Instructions





43158928 HEAVY DUTY CORNER SHELF













CARE INSTRUCTIONS: KEEP AWAY FROM WATER AND DIRECT SUNLIGHT. FOR INDOOR AND DOMESTIC USE. WIPE CLEAN WITH A SOFT DRY CLOTH. DO NOT PUT HOT ITEMS SUCH AS COFFEE CUPS DIRECTLY ON THE SHELVES.

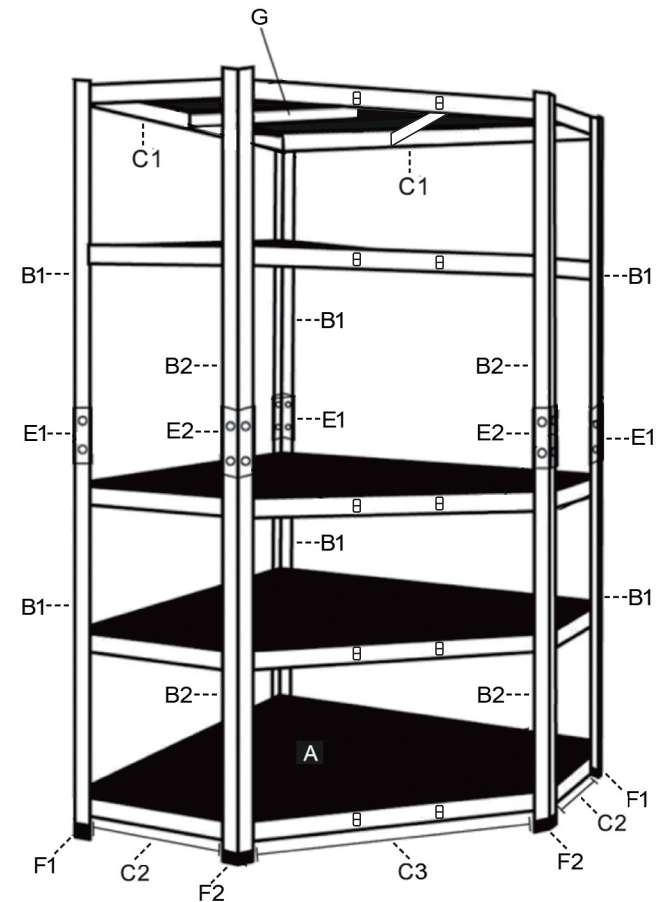
WARNING: DO NOT STAND OR SIT ON THE UNIT. DO NOT LEAN ON THE PRODUCT. DO NOT DRAG THE PRODUCT. USE ONLY ON A FLAT SURFACE. DO NOT USE UNTIL ALL PARTS ARE FIRMLY SECURED. THIS PRODUCT CONTAINS SMALL PARTS AND SHARP POINTS, KEEP AWAY FROM CHILDREN AND BABIES. ADULT ASSEMBLY REQUIRED. FAILURE TO FOLLOW THESE WARNINGS COULD RESULT IN SERIOUS INJURY.

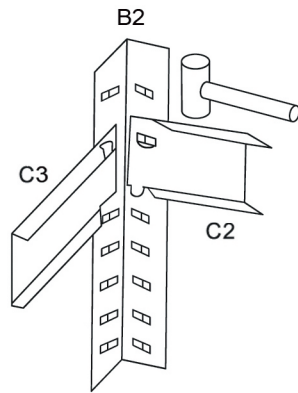
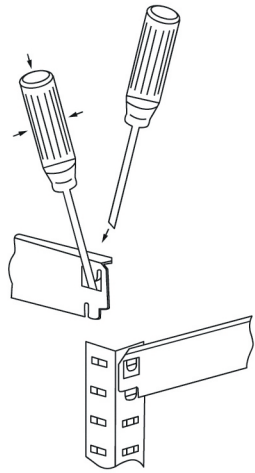
MAX. LOADING WEIGHT - 120KG FOR EACH SHELF

MAX. LOADING WEIGHT - TOTAL UNIT, EVENLY DISTRIBUTED:600KG

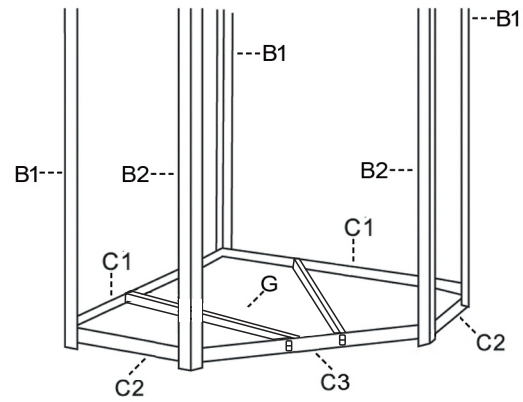
	a	4x35mm	2PCS
	b	6x30mm	2PCS
	c	270x20mm	2PCS
	d		2PCS

A	 893x893x393x393x693mm	5PCS	E1	 Bending angle is right angle	3PCS
B1	 (900mm) Bending angle is right angle	6PCS	E2	 Bending angle is obtuse angle	2PCS
B2	 (900mm) Bending angle is obtuse angle	4PCS	F1	 Bending angle is right angle	6PCS
C1	 (890mm)	10PCS	F2	 Bending angle is obtuse angle	4PCS
C2	 (390mm)	10PCS	G	 (620mm)	10PCS
C3	 (700mm)	5PCS	H	 Mallet Required (Not Provided)	

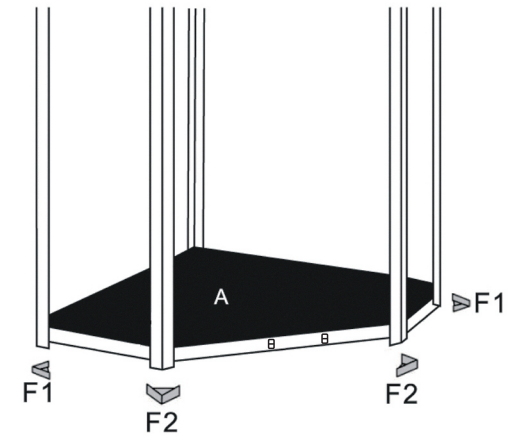




STEP 1

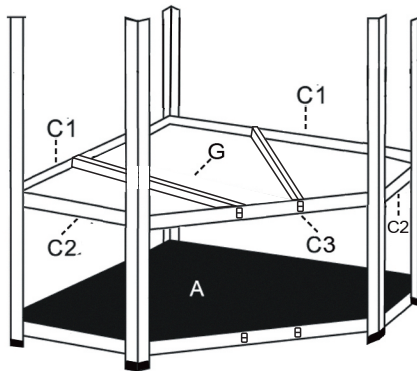


STEP 2

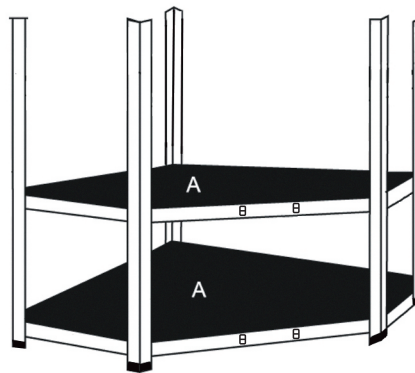


Attention: Put board A on when each shelf is assembled.

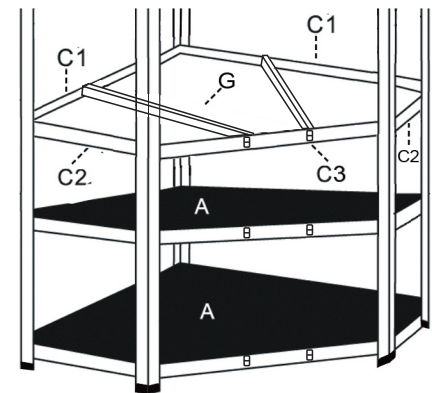
STEP 3



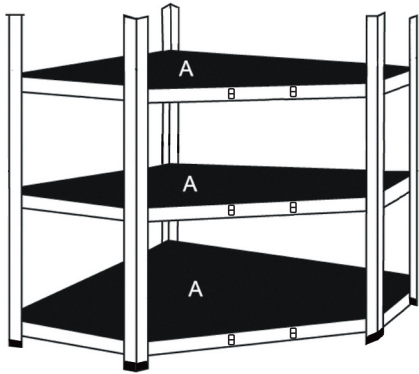
STEP 4



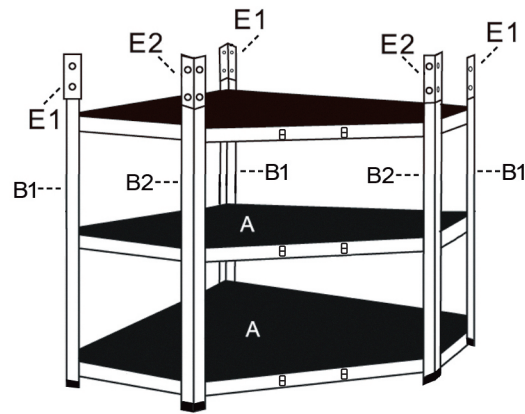
STEP 5



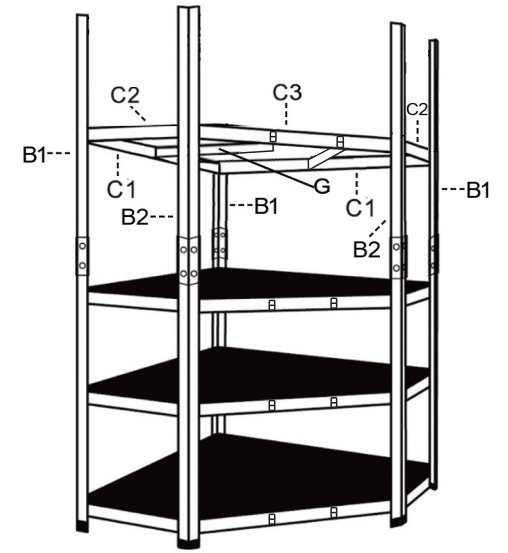
STEP 6



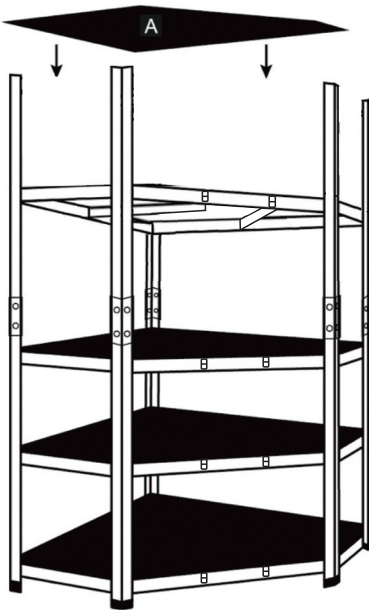
STEP 7



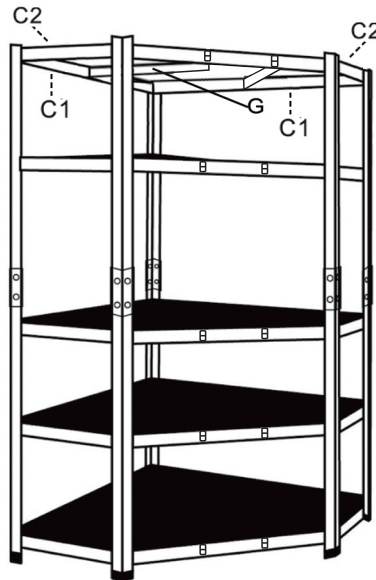
STEP 8



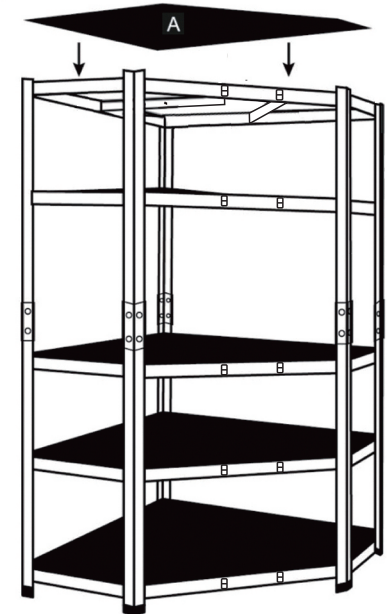
STEP 9



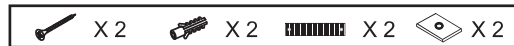
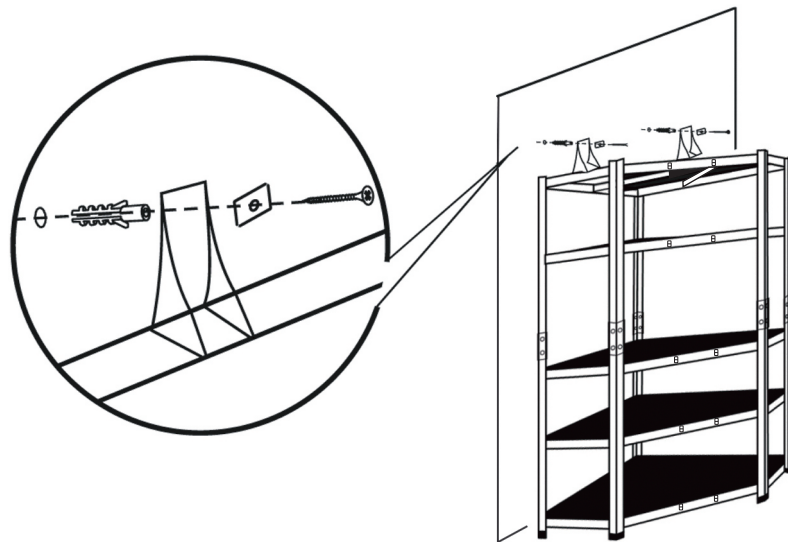
STEP 10



STEP 11



STEP 12



WARNING:

It is strongly recommended that this product is permanently fixed to the wall. Please seek professional advice if you are in doubt of what fixing device to use. Regularly check that anchors are securely maintained.

CAUTION: for your safety when attaching the anchor fixings, please note the following: Check any electrical wires or plumbing inside the wall before drilling any holes (if you are unsure please seek professional advice from a qualified tradesperson).

