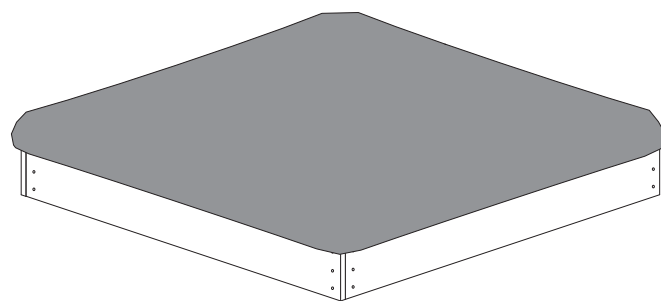


# Sand Pit Instruction Manual



Keycode: 43-158-942

**IMPORTANT – READ ALL INSTRUCTIONS CAREFULLY BEFORE ASSEMBLING OR USING THIS PRODUCT. FOLLOW ALL INSTRUCTIONS TO PREVENT INJURIES AND ENSURE PROPER MAINTENANCE.**

## WARNING:

- › This product must be assembled by adults before use.
- › Assembly requires at least TWO adults.
- › Always inspect product thoroughly before each use.
- › Remove all packaging before use.
- › Leave all assembly parts away from children.
- › Recommended to apply proper protective coating (not included) on all surfaces of this product for outdoor use.
- › Manufacturer cannot assume responsibility for incorrect use or misuse.
- › Dispose of this product responsibly.
- › Colour and content may vary from illustration.
- › The screw bag contains small parts and sharp points. Keep away from children.
- › Do not sit or press firmly on the sandpit.
- › Wipe clean the internal ground sheet and covering sheet before each use.
- › Keep away from fire. Never allow a naked flame near this product.
- › Always cover the sandpit when not in use, to prevent unwanted animals from playing in the sand.

Retain this instruction manual and packaging for future reference



MANUFACTURED FOR:  
AUXO INTERNATIONAL LIMITED  
55 HOI YUEN RD, KWUN TONG, HK, CHINA.  
MADE IN CHINA

1

## Important advise for assembly, safe use, maintenance and supervision

### Age and Usage:

- › For domestic use only.
- › For outdoor use only.
- › This product is intended for use by children ages 18+ months.
- › Use by children under 18 months of age or heavier weight may result in entrapment and serious injury.
- › Adult assembly required.
- › Children must not use this product in any way until it is properly assembled and inspected by adults.
- › Maintain this product properly and periodically to keep it in a safe condition for children.
- › Anchor, store away or restrict this product from use under severe weather conditions.
- › Moving this product after assembly may affect product integrity. When moving, apply force evenly around the frame and move horizontally. Remove all attachments including water, sand or toys before moving. Inspect this product thoroughly after moving.

### Assembly:

- › This product must be assembled by adults exactly in accordance with the instructions.
- › Make sure all components and parts are in place. Check them with the part list in this manual.
- › Some wooden components may occasionally twist, warp or crack in a small degree. This is normal.
- › DO NOT use any wood piece if it is not in good condition for assembly and not safe to use.
- › Contact the retailer for a replacement part.
- › Sort and install all components and parts according to sizes.
- › Use proper tools and protective gloves for installation.
- › Make sure all bolts and nuts are tightened correctly, no over-tightening or loose parts.
- › If a bolt thread protrudes beyond the wood surface, replace the bolt with a shorter one that will not protrude.
- › This product must be installed on level ground with a soft impact surface like grass.
- › NEVER install this product on any slope, gravel, asphalt, packed earth, hard impact surface or other unsafe surfaces. It is recommended to install protective surfacing to imitate soft impact surface 2 metres in all directions beyond this product.
- › Place this product in a location at least 2 metres away from any structure, obstruction, road or driveway. Keep this product free from electrical wires, branches, rocks, or any other objects that could endanger children's safety.
- › Avoid assembling or locating this product in full sun or other severe weather conditions.

2

### Play Supervision:

- › Always maintain legibility of warning statements on this product.
- › DO NOT allow children to use this product in manners other than intended.
- › DO NOT allow children to climb or jump off the equipment. This could lead to serious injury or death.
- › Wear proper clothing and shoes when playing.
- › Some parts may become extremely hot when exposed to sunlight. Always check for extreme heat before allowing children to use this product.
- › DO NOT allow pets or other animals near this product to prevent damage or injuries.
- › All wood and other parts are subject to normal wear. Always check and ensure all wood and parts are secured, stable and in good condition before use.
- › Pay special attention to all connections and fastening.
- › DO NOT use this product if any bolts or nuts are missing or loose, or wood is not in good condition. Always seek for appropriate replacement materials.
- › DO NOT attach items to this product that are not specifically designed for use with this product.
- › DO NOT use this product under severe weather conditions.
- › NEVER place this product near fire.
- › Moving this product after assembly may affect product integrity. When moving, apply force evenly around the frame and move horizontally. Inspect this product thoroughly after moving.

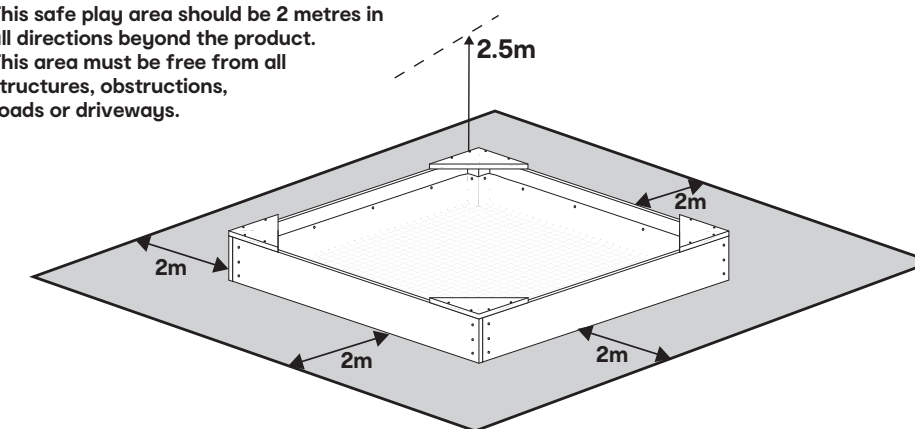
### Maintenance:

- › It is recommended to apply multiple layers of wood sealers such as paint, stain, lacquer or outdoor oil before assembling this product for the first time.
- › After installation, a follow-up inspection should take place after one week and twice a month during play season.
- › Rub down splinters and rough surfaces with sandpaper and repair sharp points if needed. Apply wood sealer to the repaired part.
- › Depending on weather conditions and the type of wood sealer used, applying wood sealer again to all wood components is essential at regular intervals. Please consult your local hardware or home improvement store for recommendation.
- › Maintenance should be performed at anytime deemed necessary. Major maintenance on wood finishing should be performed at least every six months.
- › Checks and maintenance of main parts (crossbeam, anchors, etc.) should be performed at regular intervals. If these checks are not carried out, this product could overturn or otherwise become a hazard.
- › It is important, at regular intervals and beginning of each season, to check all nuts and bolts for tightness. Tighten them when required. Check all coverings and bolts for sharp edges. Replace them when required.

3

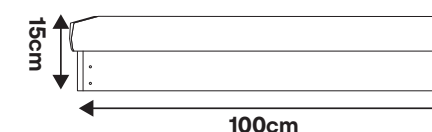
### Recommended Safe Play Area

This safe play area should be 2 metres in all directions beyond the product. This area must be free from all structures, obstructions, roads or driveways.

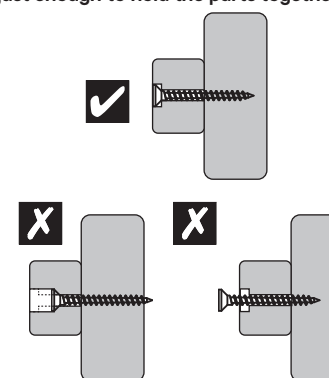


### Product Dimensions

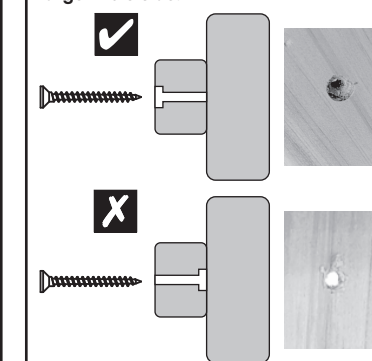
Assembly sizes may vary due to thermal expansion and assembly accuracy.



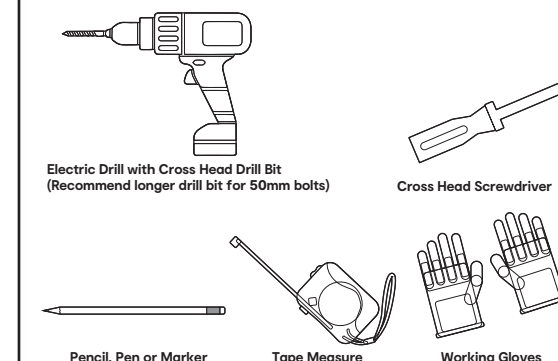
**IMPORTANT!**  
DO NOT over-tighten the parts or leave them loose. Screws should be tightened just enough to hold the parts together.



Pre-drilled hole has 2 sides. Drill from the larger hole side.

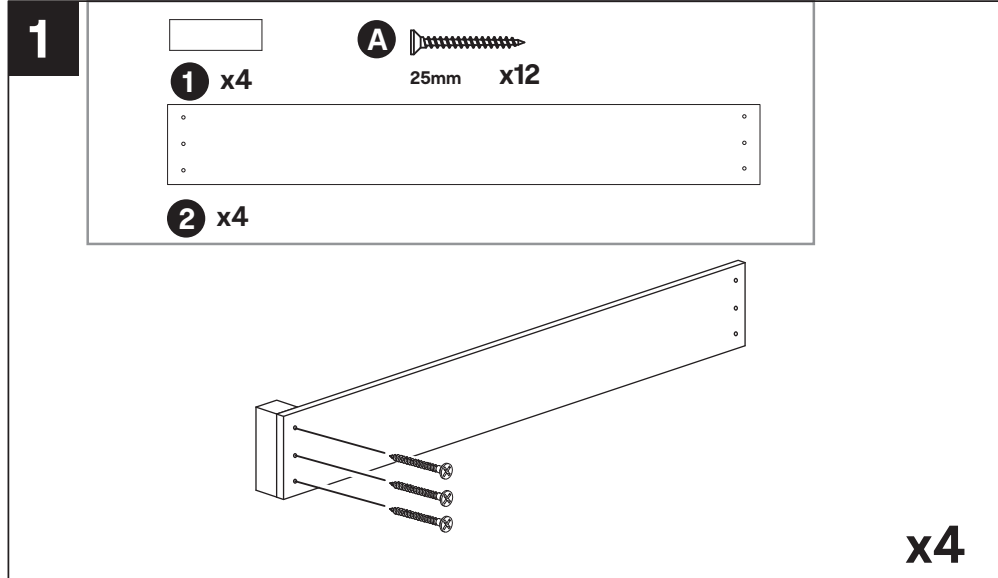
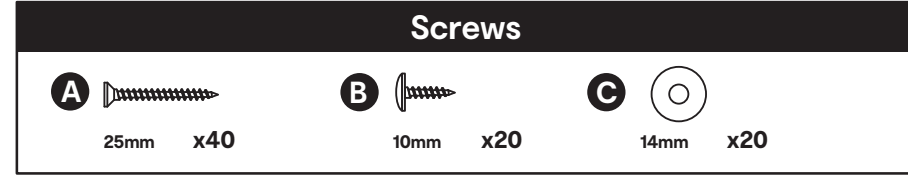
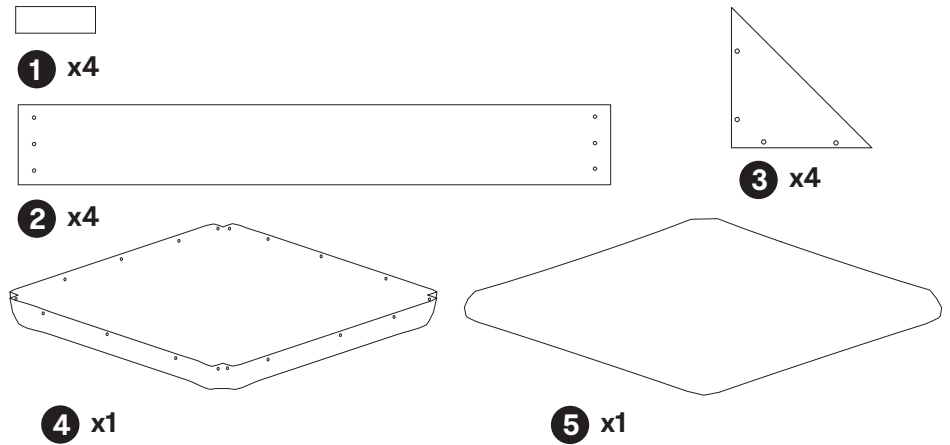


### Tools Required for Assembly (Not Included)



4

# Contents



Repeat the above step 4 times.

5

