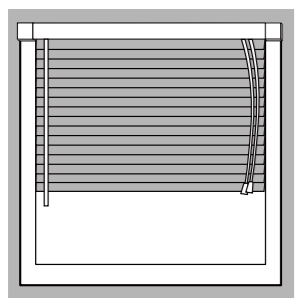
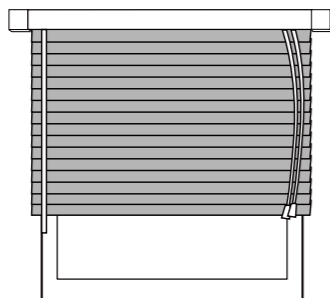


# anko 50MM FAUX WOOD Venetian Blind Installation Instructions

Description	Valance Clip	Brackets	Hold Down Bracket	Centre Support Bracket	Short Screws (To install the hold down bracket)	Long Screws	Cleat
90X150CM	2	2	2	1	4	12	1
120X150CM	3	2	2	2	4	16	1
150X150CM	3	2	2	2	4	16	1
180X150CM	4	2	2	3	4	20	1

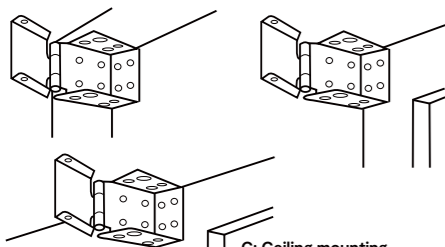


Recess Mount: Inside Frame

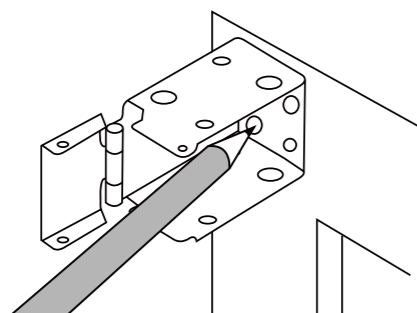


Outside Mount: Outside Frame

**1** Decide whether your blind will be mounted outside or inside the window frame.



**2** Hold the blind against the window and where the brackets meet the wall, mark the screw holes by pencil.



**C: Ceiling mounting**  
If mounting to the ceiling, ensure a secure anchor point is found such as masonry or ceiling truss.

# anko 50MM FAUX WOOD Venetian Blind Installation Instructions

**3** Depending on your bracket mount preference, drill holes and screw in bracket.

**4** Insert the headrail into the brackets. Ensure the blind cords and wand are facing toward you.

**A: Inside frame**

**B: Outside frame**

**C: Ceiling mounting**

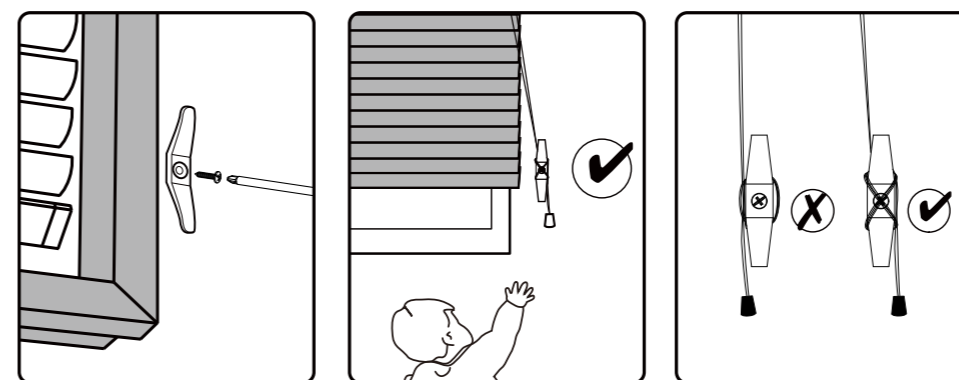
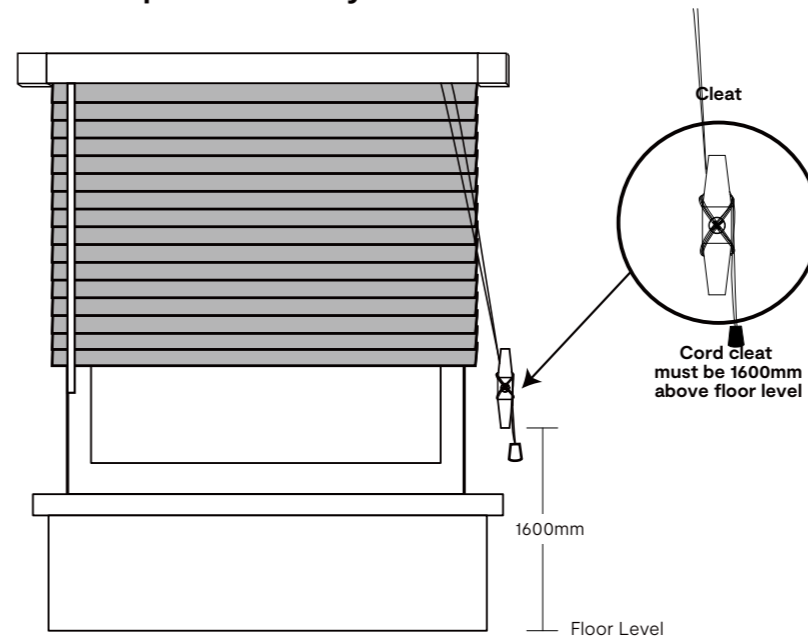
**5** To stop the blind from shaking, screw the hold down bracket clips onto the bottom of the window frame. Then clip the bottom rail of the blind into the hold down bracket.

**6** Attach the valance clips to the valance, and fix it to the top front of the blind.

**7** The cleat provided should be fixed to a timber frame, masonry or stud behind plaster wall ensuring that the cord is taut at all times. The cleat must be installed a minimum of 1600mm above floor level.

# anko 50MM FAUX WOOD Venetian Blind Installation Instructions

**WARNING: Important Safety Instructions:**



# anko 50MM FAUX WOOD Venetian Blind Installation Instructions

**HOW TO OPERATE**

**1** To lower blind, pull cords down and away slightly to release lock.

**2** To raise blind, pull cords down until you reach your desired height then hold down cords horizontal to lock.

**3** The blinds are tilted or angled by rotating the wand.

**CARE INSTRUCTIONS:**  
OPEN BLIND COMPLETELY. USE A VENETIAN BLIND DUSTER OR A CLEAN DAMP CLOTH TO WIPE BOTH SIDES OF EACH SLAT.

**WARNING:** To avoid creating a possible strangulation hazard for children, the corded internal window covering must be installed in such a way that a loose cord cannot form a loop 220mm or longer, at a height of less than 1600mm above floor level;

**SUGGESTIONS FOR INSTALLING CORDED INTERNAL WINDOW COVERINGS:**

- i) A cord guide may be installed lower than 1600mm above floor level if the **\*cord** is sufficiently secured or tensioned to prevent a loop 220mm or longer from being formed; and
- ii) If a cord guide is installed lower than 1600mm above floor level it must be designed to prevent a child from being able to remove the cord; and
- iii) If a **\*cleat** is used to secure the cord it must be at least 1600mm above floor level because a child is capable of unwinding a cord from a cleat.

**\*cord:** rope, strap, string, chain, line or wire used to manipulate a corded internal window covering.  
**\*cleat:** a device having a bar with arms around which a cord can be wound and that can be attached to a wall or other structure.

**WARNING** **WARNING: CURTAIN AND BLIND CORDS HAVE CAUSED THE DEATH OF YOUNG CHILDREN AND MUST BE INSTALLED SO THAT THEY ARE NOT A STRANGULATION HAZARD. FOLLOW THE INSTALLATION INSTRUCTIONS.**