

# Assembly Instructions

## 43161195 SCANDI BEDSIDE TABLE





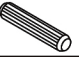









**WARNING:** DO NOT STAND, SIT OR LEAN ON THE UNIT. DO NOT USE THIS UNIT AS A STEP LADDER. ENSURE THIS UNIT IS USED ONLY ON A FLAT SURFACE. DO NOT USE THIS UNIT UNLESS ALL BOLTS AND SCREWS ARE FIRMLY SECURED. DO NOT PLACE HOT OBJECTS SUCH AS COFFEE CUPS DIRECTLY ON THE SURFACE OF THIS FURNITURE ITEM. THIS ITEM IS FOR STORAGE PURPOSES ONLY. CONTAINS SMALL PARTS. IT IS TO BE ASSEMBLED BY AN ADULT. FAILURE TO FOLLOW THESE WARNINGS COULD RESULT IN SERIOUS INJURY.

**CARE INSTRUCTIONS:** WIPE CLEAN WITH A SOFT DAMP CLOTH. NEVER USE SCOURERS, ABRASIVES OR CHEMICAL SOLVENTS. KEEP AWAY FROM MOISTURE AND DIRECT SUNLIGHT. STORE IN A DRY PLACE. FOR INDOOR USE ONLY.

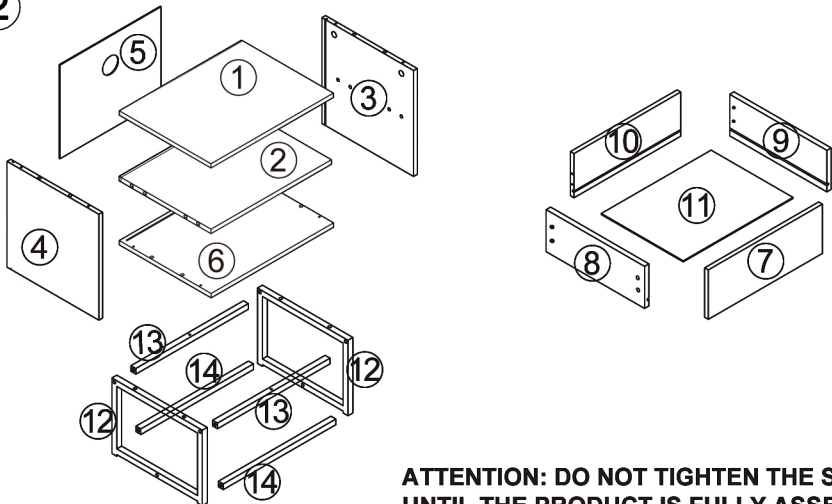
**MAXIMUM SAFE LOAD: 10KG FOR TOP, 5KG FOR SHELF, 5KG FOR DRAWER.**

①

### Hardware List

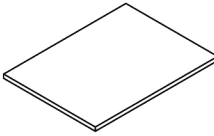
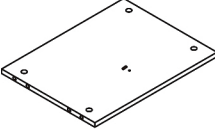
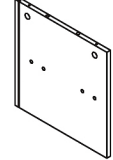
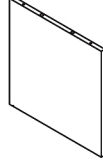
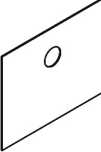
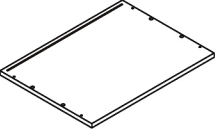
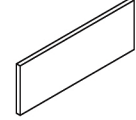
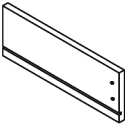
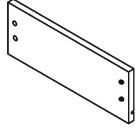
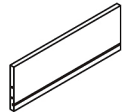
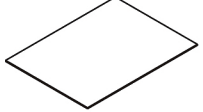
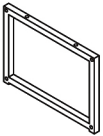
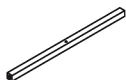

	A		12PCS		H	M4X24mm	2PCS
	B		12PCS		I		1PC
	C		12PCS		J		1PC
	D	M6X35mm	8PCS		K	Ø20	4PCS
	E	Ø5X48mm	4PCS		L		4PCS
	F	M3.5X12mm	7PCS		M	M4mm	1PC
	G	M4X35mm	8PCS		N	M3mm	1PC

②

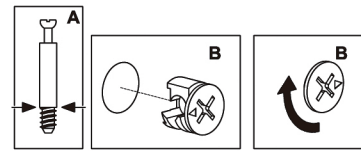
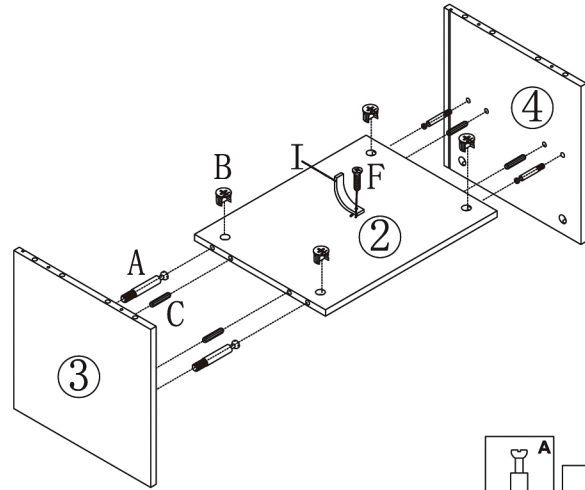


**ATTENTION: DO NOT TIGHTEN THE SCREWS UNTIL THE PRODUCT IS FULLY ASSEMBLED.**

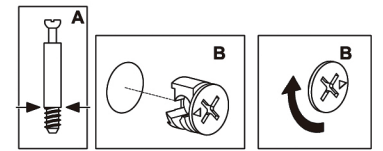
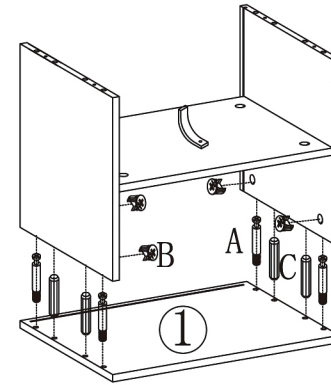
③

			
① 1 PC	② 1 PC	③ 1 PC	④ 1 PC
			
⑤ 1 PC	⑥ 1 PC	⑦ 1 PC	⑧ 1 PC
			
⑨ 1 PC	⑩ 1 PC	⑪ 1 PC	⑫ 2 PCS
			
⑬ 2 PCS	⑭ 2 PCS		

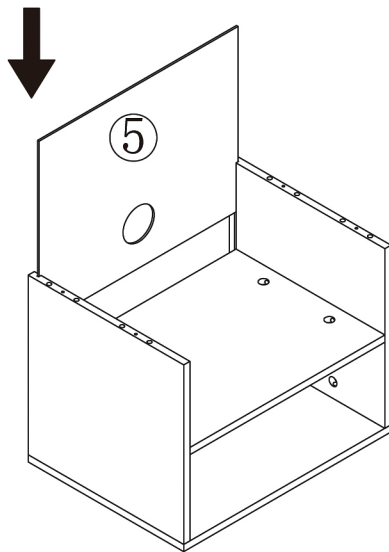
**STEP 1** AX4 BX4 CX4 FX1 IX1



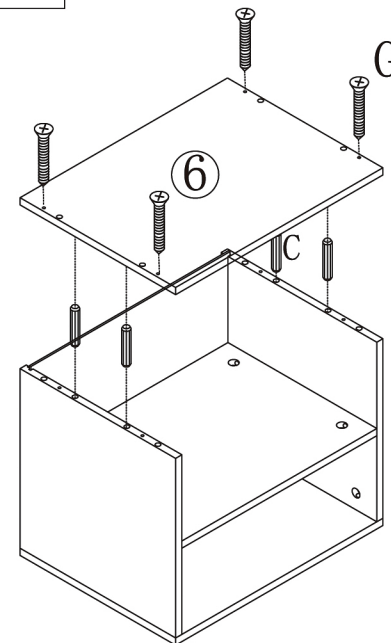
**STEP 2** AX4 BX4 CX4



**STEP 3**

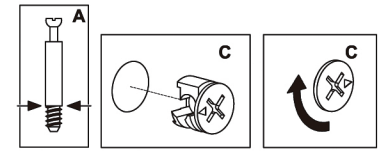
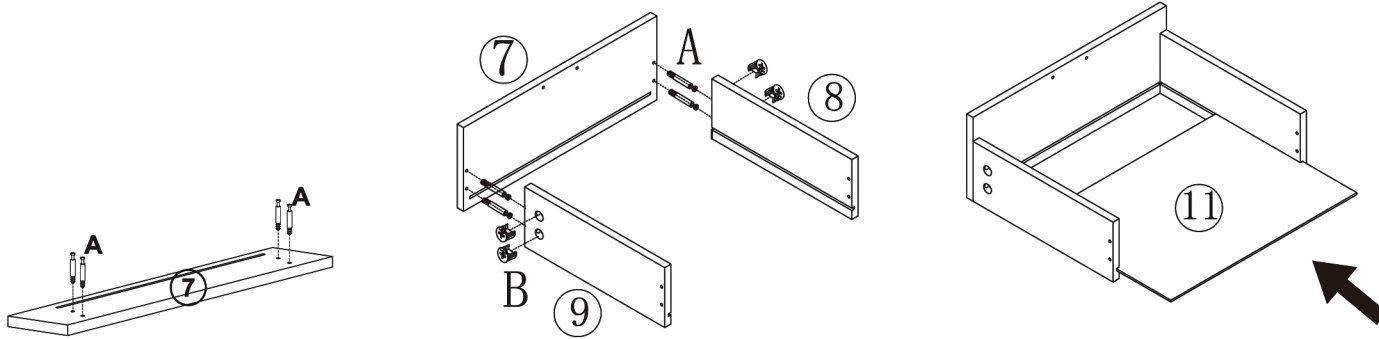


**STEP 4** CX4 GX4



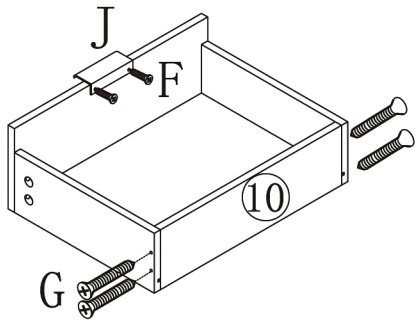
**STEP 5**

AX4 BX4



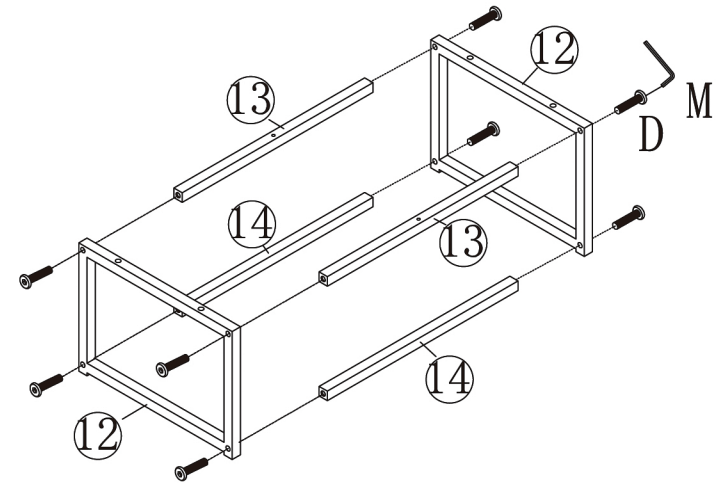
**STEP 6**

GX4 FX2 JX1

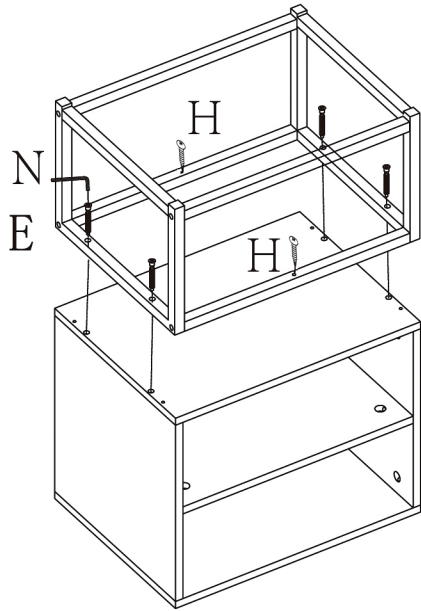


**STEP 7**

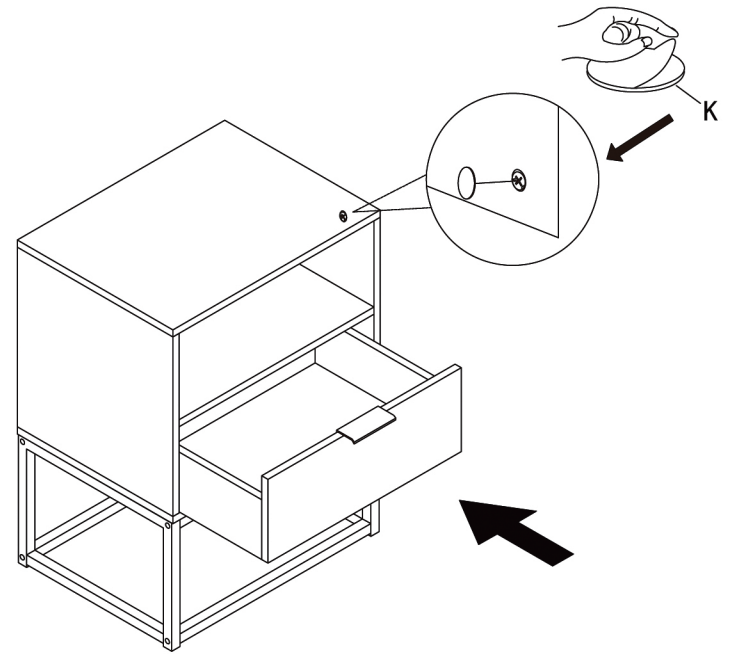
DX8



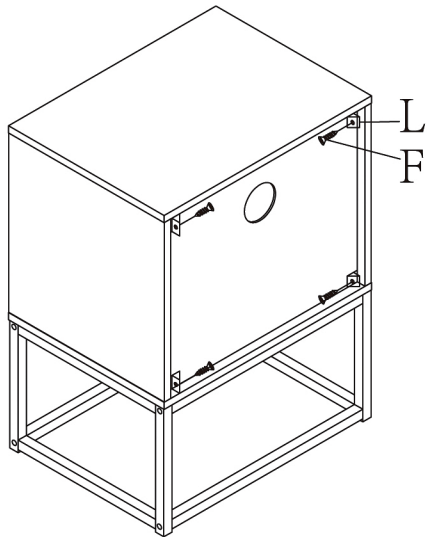
**STEP 8** EX4 HX2



**STEP 9**



**STEP 10** FX4 LX4



**STEP 11**

