

# Assembly Instruction

## 43161324 THEO BEDSIDE TABLE

### CARE INSTRUCTIONS:



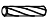
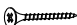
WIPE CLEAN WITH A SOFT DAMP CLOTH. DO NOT USE ABRASIVE MATERIALS AND SOLVENTS. CHECK AND TIGHTEN ALL PARTS REGULARLY. DO NOT PLACE HOT ITEMS SUCH AS COFFEE CUPS DIRECTLY ON THE SURFACE. KEEP AWAY FROM WATER AND DIRECT SUNLIGHT. STORE IN A DRY PLACE. FOR DOMESTIC USE ONLY. FOR INDOOR USE ONLY. A MILD ODOUR MAY BE PRESENT WHEN FIRST OPENING THIS CARTON. SIMPLY ALLOW TO AIR OUTSIDE AND THIS WILL FADE.





### WARNING:






DO NOT STAND OR SIT ON THIS UNIT. DO NOT USE THIS UNIT UNLESS ALL BOLTS AND SCREWS ARE FIRMLY SECURED. DO NOT KNOCK OR DRAG THIS UNIT. USE ONLY ON A FLAT SURFACE. ADULT ASSEMBLY REQUIRED. FAILURE TO FOLLOW THESE WARNING COULD RESULT IN SERIOUS INJURY. LOAD DRAWER EVENLY TO PREVENT FROM TIPPING OVER. THIS PACKAGE CONTAINS SMALL PARTS AND SHARP POINTS. KEEP AWAY FROM CHILDREN AND BABIES.






**MAXIMUM SAFE LOAD: 20KG FOR TOP PANEL, 5KG FOR EACH DRAWER.**

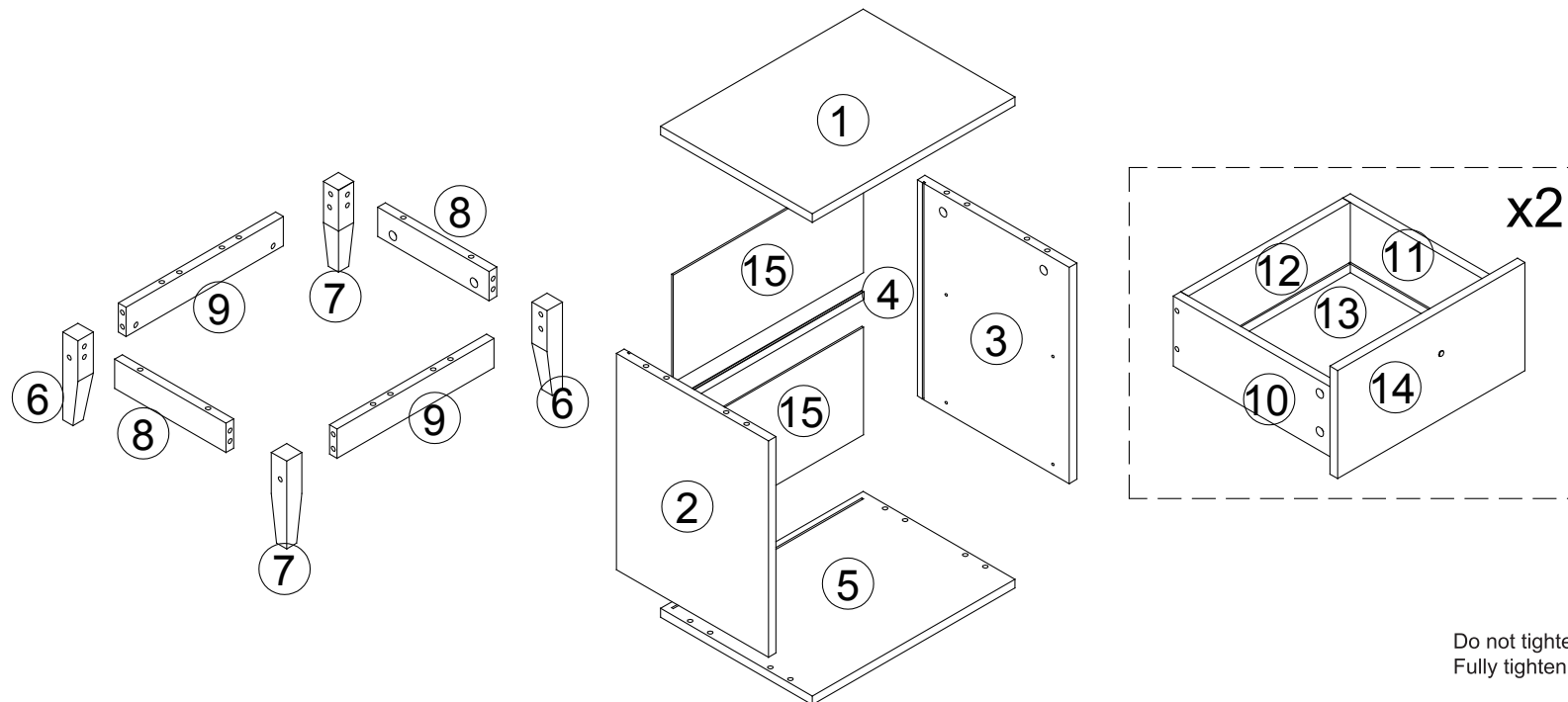
## Hardware List

|   |   |        |       |
|---|---|--------|-------|
|  | a | 6x35mm | 16pcs |
|  | b | 15x9mm | 16pcs |
|  | c | 6x30mm | 20pcs |
|  | d | 4x40mm | 20pcs |

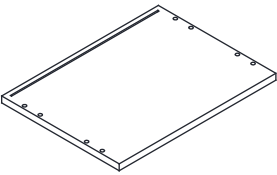
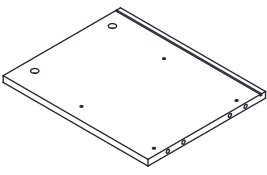
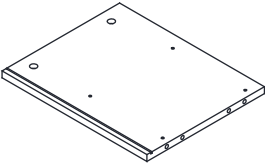

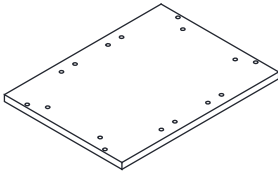


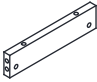
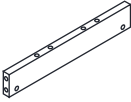
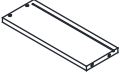
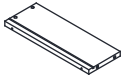
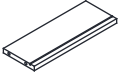
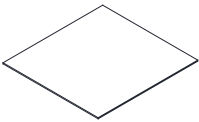
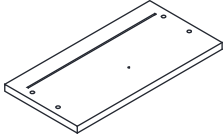
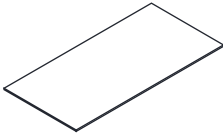
|   |   |          |       |
|---|---|----------|-------|
|  | e | 3.5x12mm | 16pcs |
|  | f | 250mm    | 2pcs  |
|  | g | 250mm    | 2pcs  |
|  | h | 250mm    | 2pcs  |

|   |   |        |      |
|---|---|--------|------|
|  | i | 250mm  | 2pcs |
|  | j |        | 4pcs |
|  | k |        | 4pcs |
|  | l | 3x14mm | 4pcs |
|  | m | 6x60mm | 4pcs |

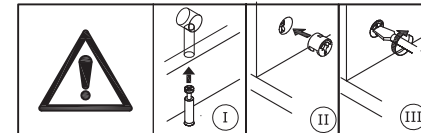
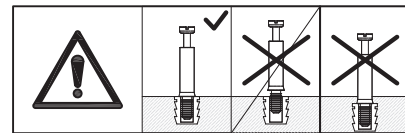
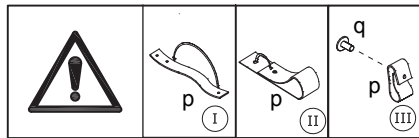
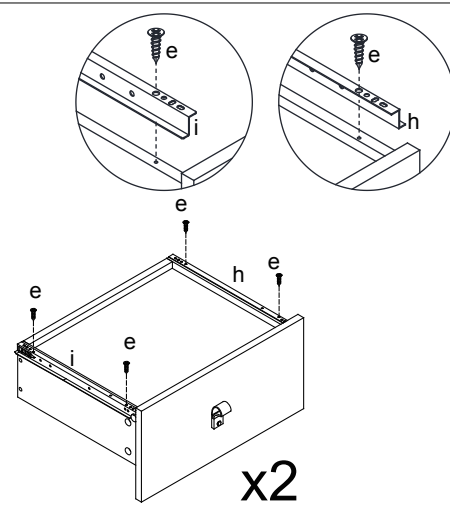
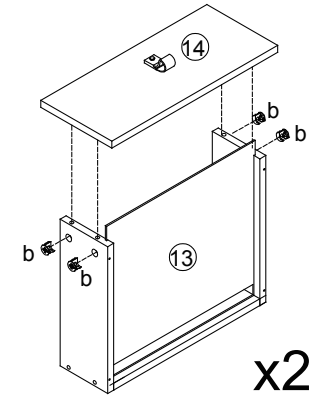
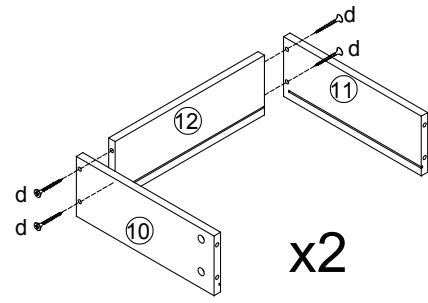
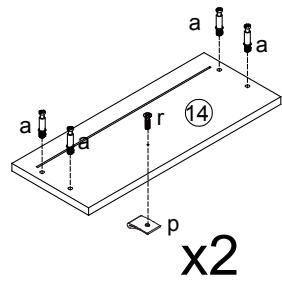
|   |   |        |      |
|---|---|--------|------|
|  | n |        | 4pcs |
|  | o | 6x55mm | 1pc  |
|  | p |        | 2pcs |
|  | q |        | 2pcs |
|  | r | 4x10mm | 2pcs |



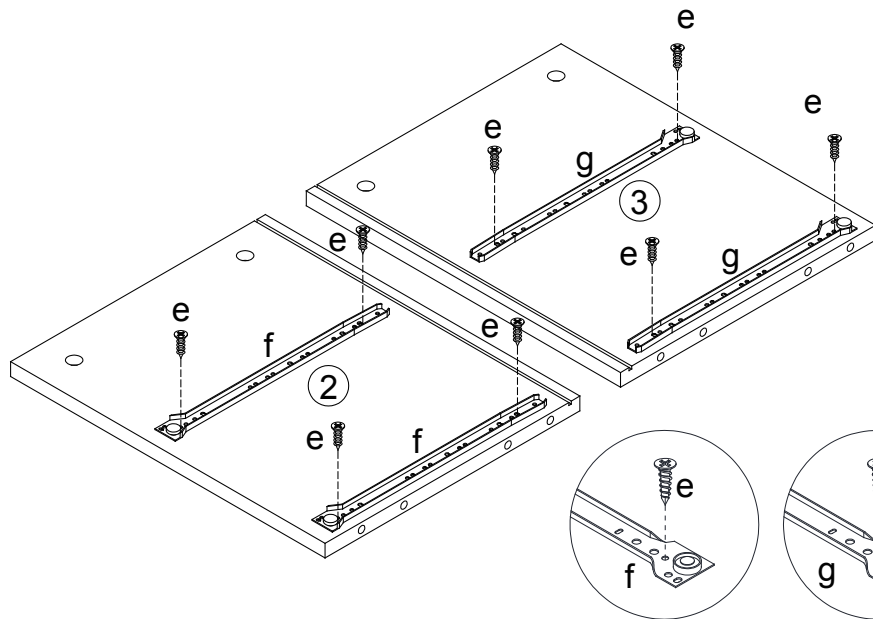
Do not tighten the screws fully during assembly.  
Fully tighten screws after the final assembly steps.

|   |   |  |   |   |   |
|---|---|--|---|---|---|
|  |  |  |  |  |  |
| ① 1 PC  | ② 1 PC  | ③ 1 PC   | ④ 1 PC  | ⑤ 1 PC  | ⑥ 2 PCS   |
|  |  |  |  |  |  |
| ⑦ 2 PCS   | ⑧ 2 PCS   | ⑨ 2 PCS  | ⑩ 2 PCS   | ⑪ 2 PCS   | ⑫ 2 PCS   |
|  |  |  |   |   |   |
| ⑬ 2 PCS   | ⑭ 2 PCS   | ⑮ 2 PCS  |   |   |   |

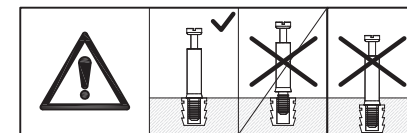
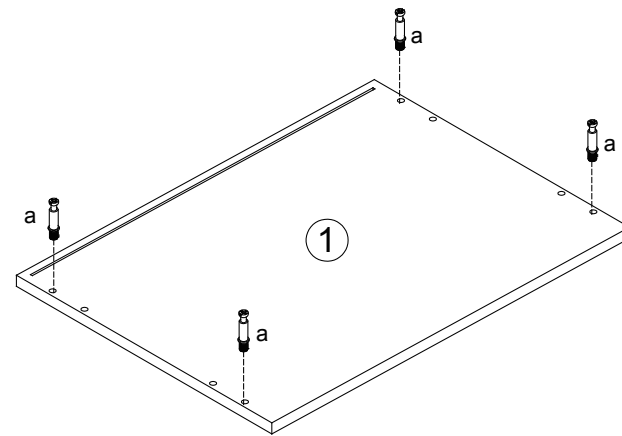
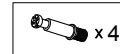
### Step 1:



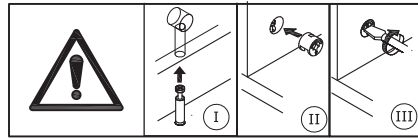
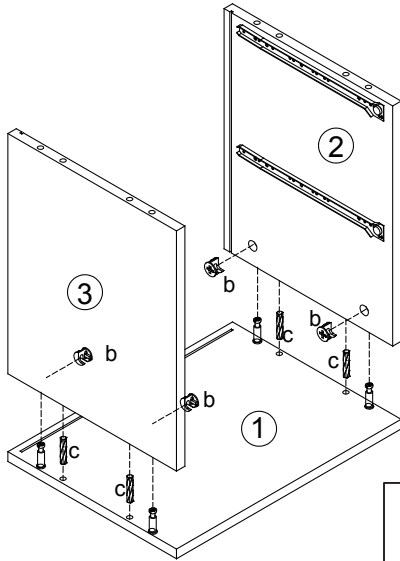
### Step 2:



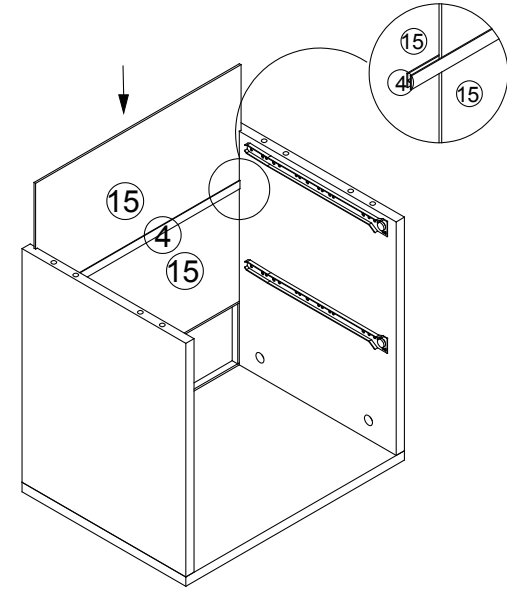
### Step 3:



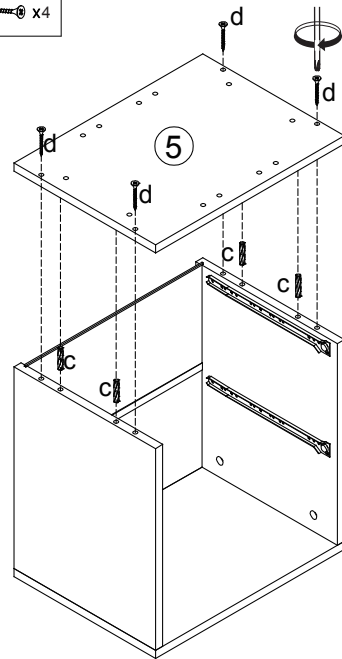
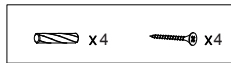
### Step 4:



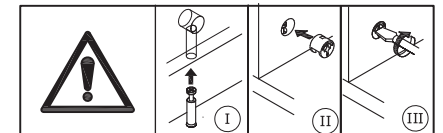
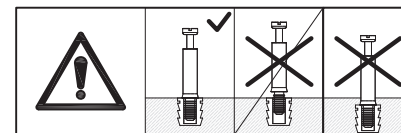
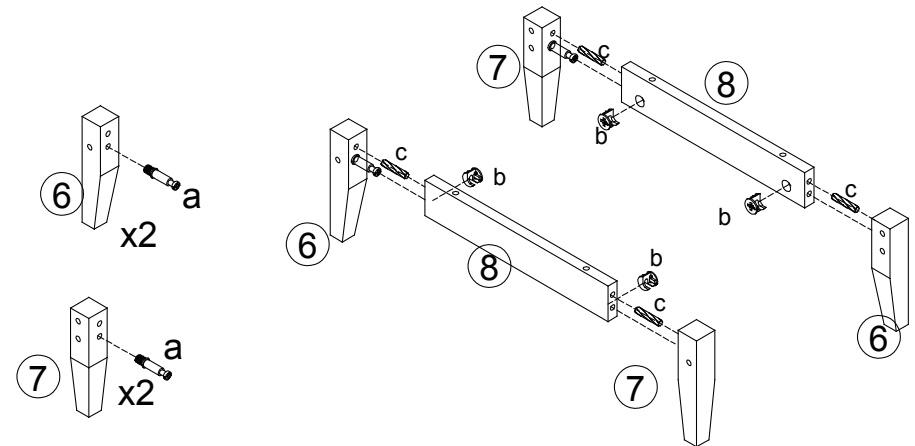
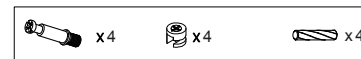
### Step 5:



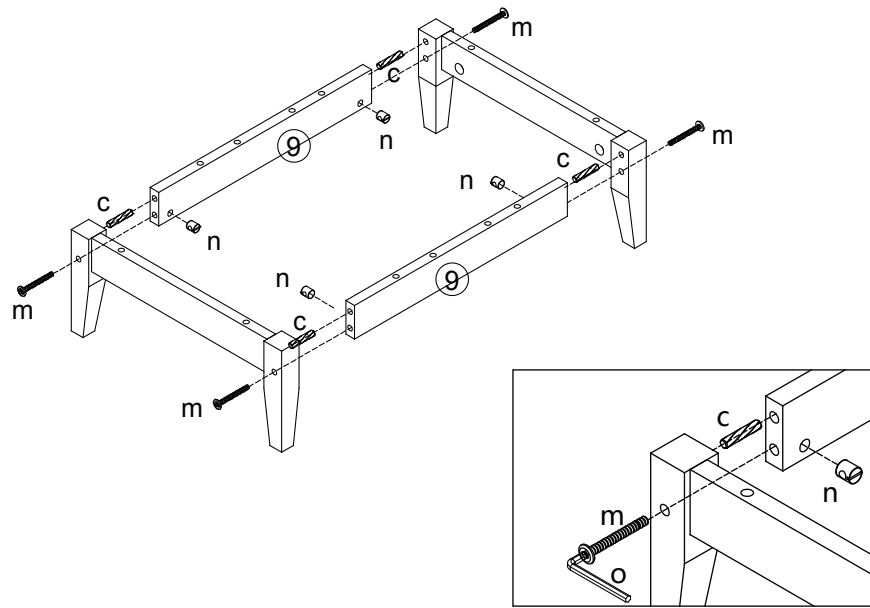
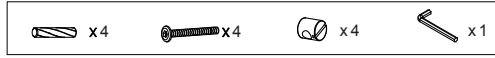
### Step 6:



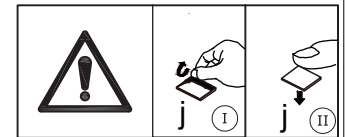
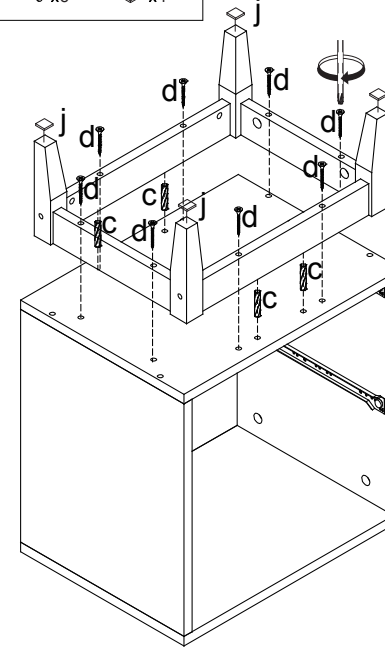
### Step 7:



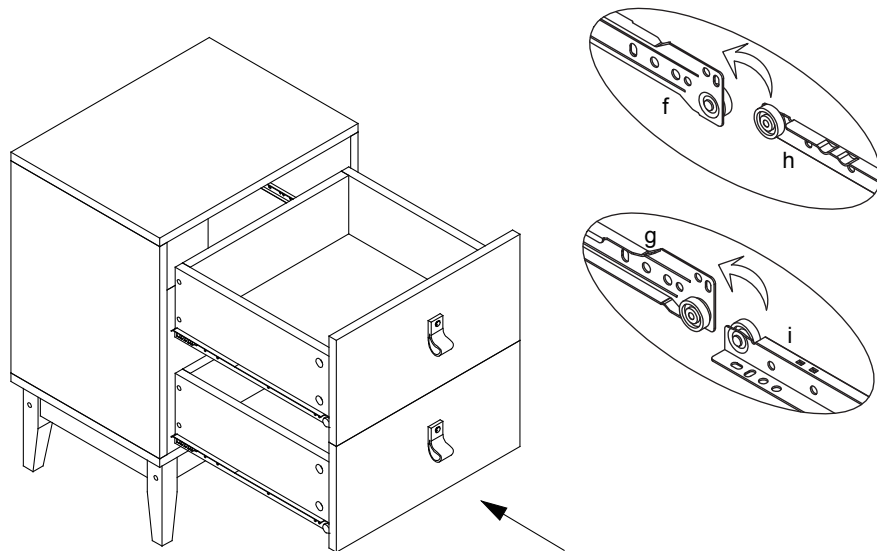
### Step 8:



### Step 9:



### Step 10:



### Step 11:

