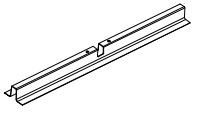
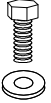
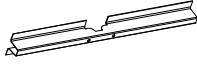
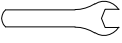

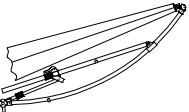


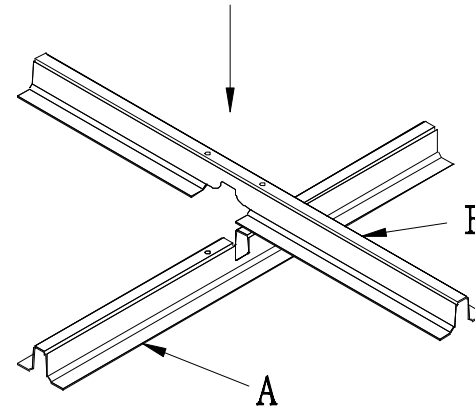
Assembly Instruction (Exclude Pavers)

PLEASE READ INSTRUCTION CAREFULLY. REMOVE ALL PARTS FROM THE CARTON. BE SURE YOU HAVE ALL PARTS BEFORE YOU START ASSEMBLING. PLACE ALL PARTS ON THE CLEAN AND FLAT SOFT SURFACE SUCH AS CARPET OR RUG TO PREVENT FROM BEING SCRATCHED.

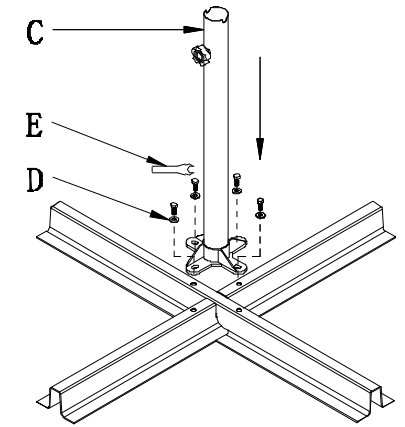
Hardware List

A		1PC	D		4PCS
B		1PC	E		1PC
C		1PC	F		1PC

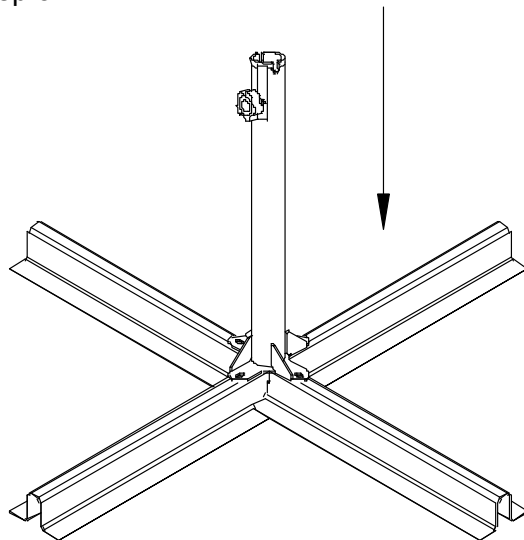
Step 1



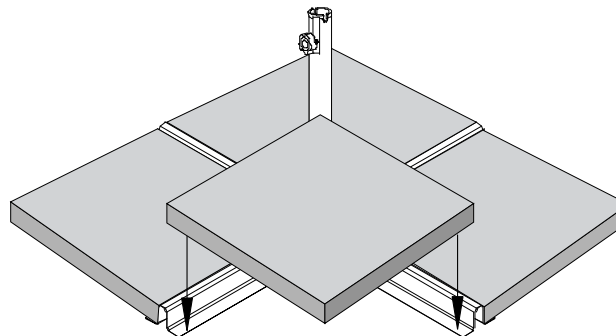
Step 2



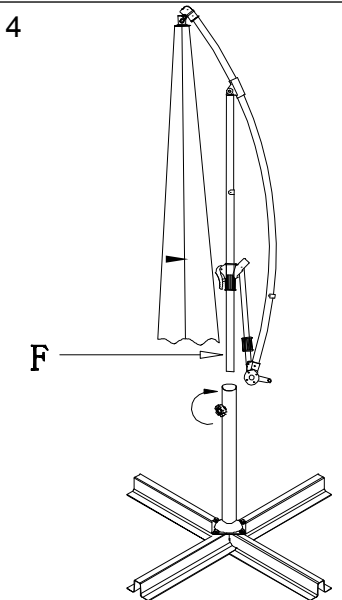
Step 3



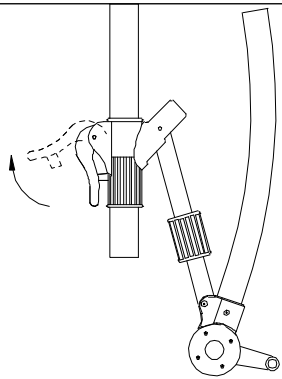
Secure the umbrella to the ground, Concrete pavers should be used even if umbrella be permanently fixed (pavers or screws are not included)



Step 4

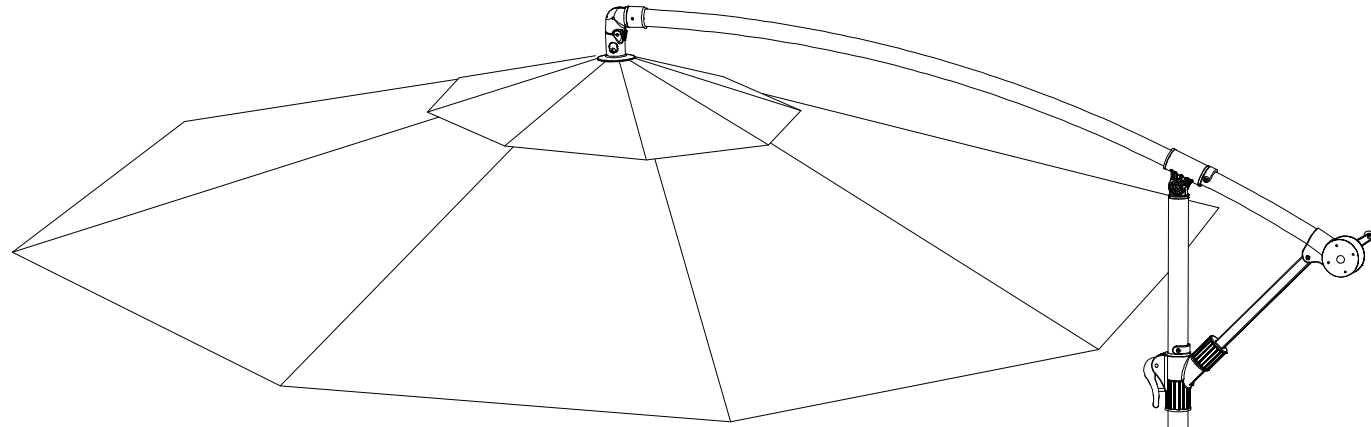
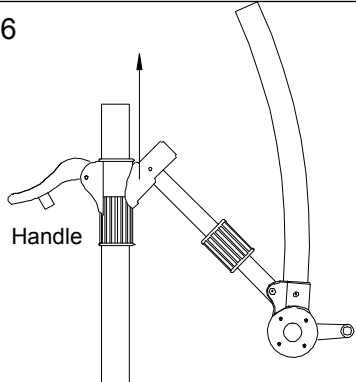


Step 5

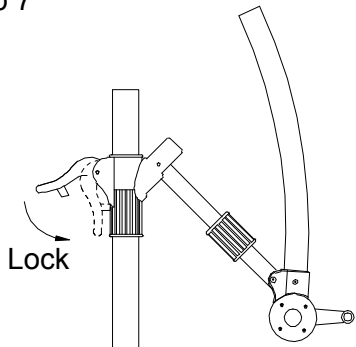


Ensure the umbrella hanging tube be pushed forward completely, move the plastic ring down to lock tube and press down the handle, also press down the top plastic lock to lock to tube. Turn the crank clockwise to open umbrella fully.

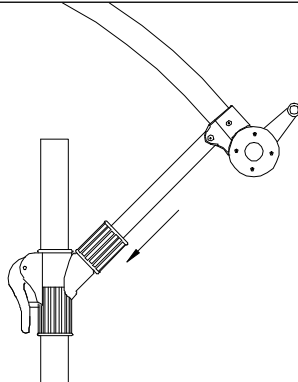
Step 6



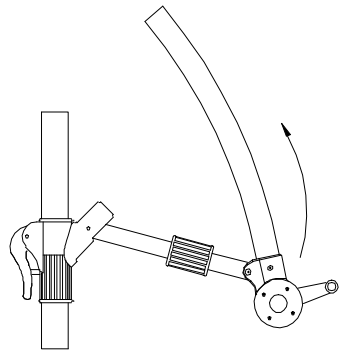
Step 7



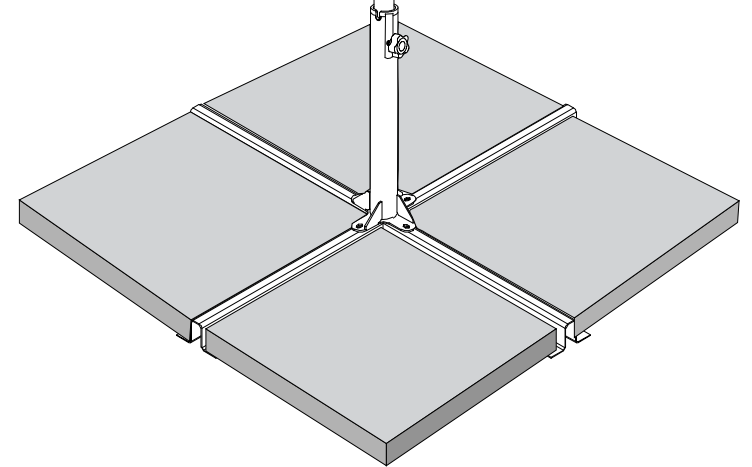
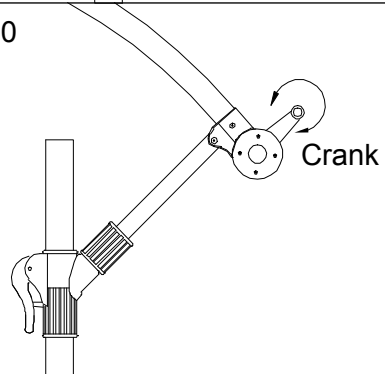
Step 9



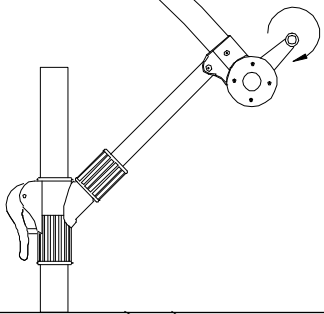
Step 8



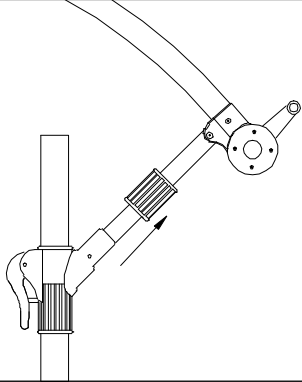
Step 10



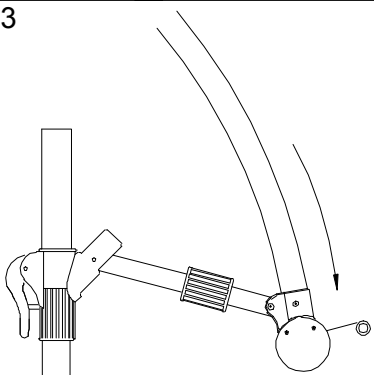
Step 11



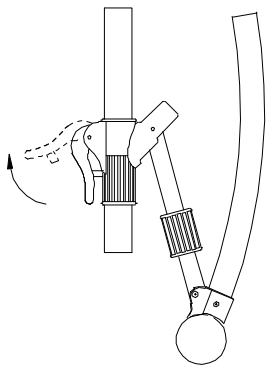
Step 12



Step 13

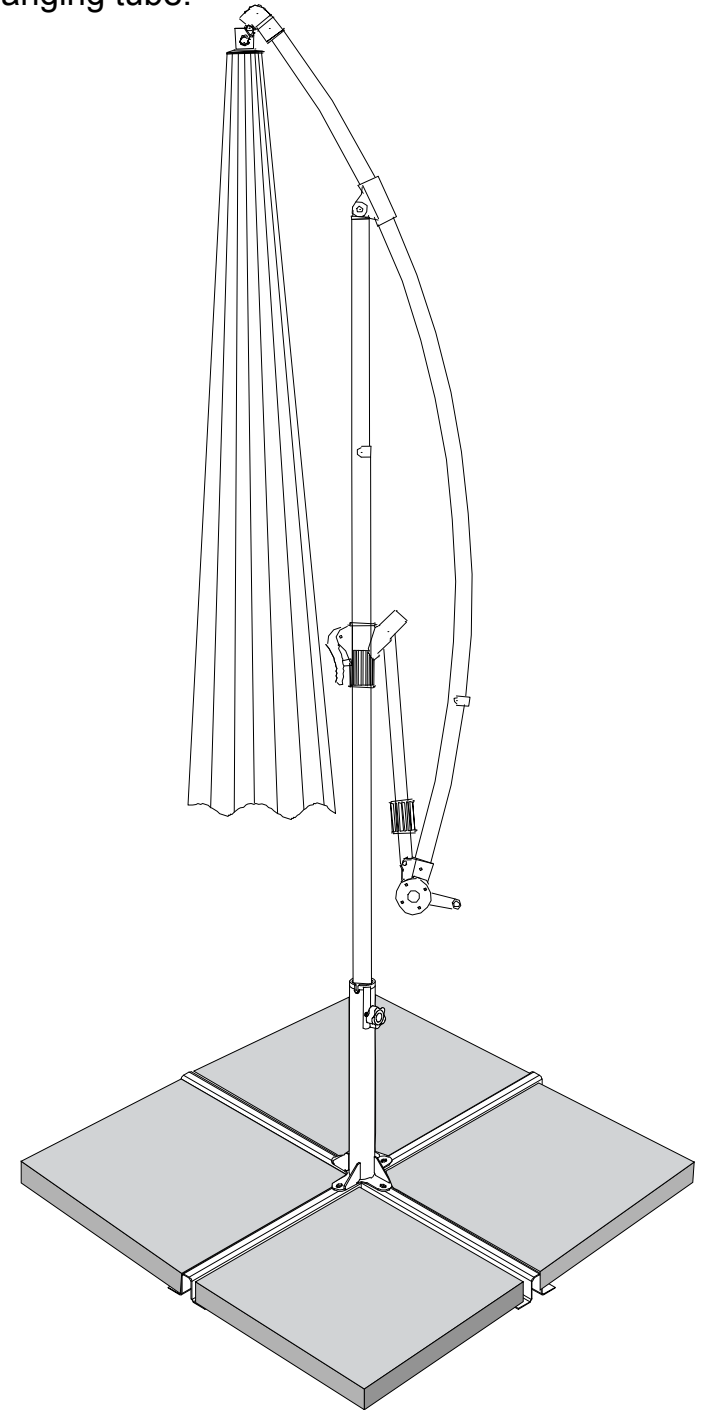
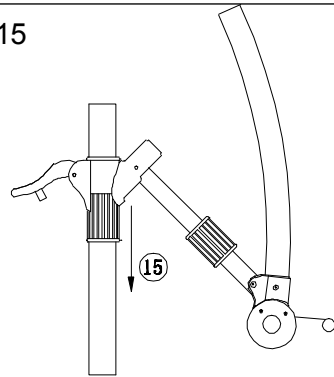


Step 14



When umbrella is not in use, please turn crank counter clockwise to close the umbrella. Unlock all parts and pullback the hanging tube.

Step 15



WARNING!

- 1) ENSURE THE UMBRELLA IS SECURED TO THE GROUND BEFORE USE.
- 2) THE UMBRELLA BASE COULD BE BOLTED TO AN EVEN SURFACE SUCH AS A DECK OR A PATIO.
- 3) ASSEMBLED UMBRELLA IS INTENDED TO BE USED AS SUNSHADE AND NOT AS RAIN AND WINDPROTECTION.
- 4) DO NOT LEAVE THE UMBRELLA OPEN IN STRONG WIND.
- 5) ALWAYS ENSURE THAT THE UMBRELLA IS SECURED TO A BASE ON A LEVEL, NON-SLIPPERY SURFACE.
- 6) WE RECOMMEND TO USE 4 X 5KG MIN PAVERS ON THE BASE TO ENSURE THE UMBRELLA IS STABLE.
- 7) DO NOT LEAVE THE UMBRELLA UNATTENDED WHILE IT IS OPEN.
- 8) BE CAREFUL NOT TO GET YOUR FINGERS CAUGHT WHEN FOLDING AND UNFOLDING
- 9) KEEP UMBRELLA AWAY FROM OPEN FLAMES OR HEAT SOURCES.

**THIS UMBRELLA PROVIDES PROTECTION HOWEVER UV EXPOSURE CAN STILL OCCUR DUE TO SCATTERED AND REFLECTED UV RADIATION. ALWAYS APPLY SUNSCREEN LIBERALLY.
FAILURE TO FOLLOW THESE WARNING MAY RESULT IN PRODUCTS FAILURE OR PERSONAL INJURY.**

MADE IN CHINA

IMPORTED BY KMART AUSTRALIA LIMITED