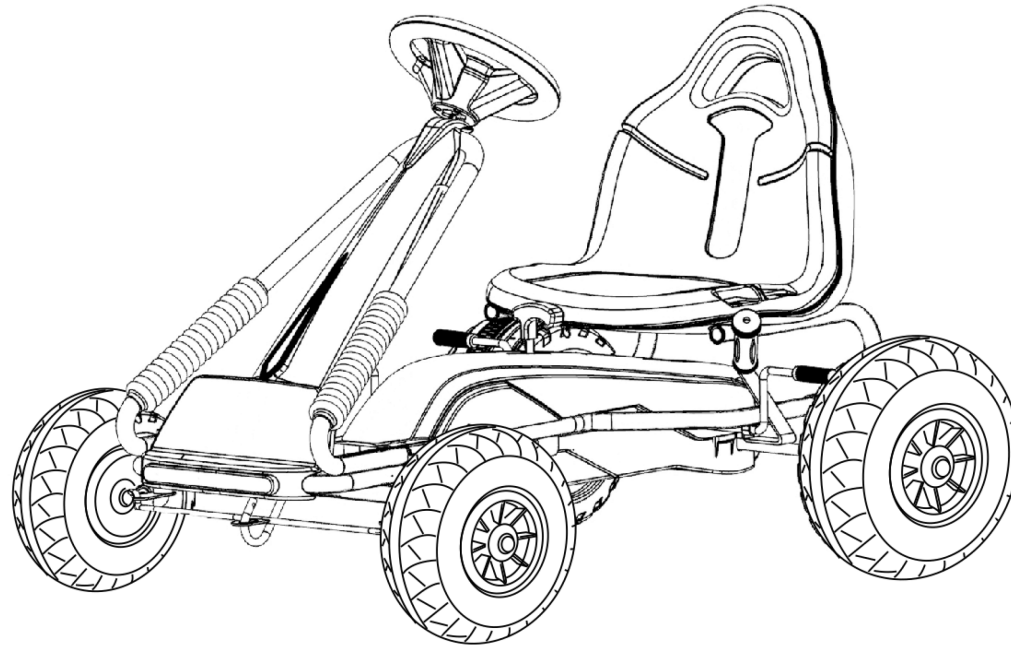


ITEM NAME: PEDAL GO CART
KEYCODE: 43164462



IT IS IMPORTANT TO READ THIS MANUAL THOROUGHLY
BEFORE ASSEMBLING, RIDING, OR PERFORMING
MAINTENANCE ON THIS CART.
KEEP THIS MANUAL FOR FUTURE REFERENCE.

WARNING:

For the safety of your child, please read all warnings and assembly instructions carefully. Keep this manual for future reference.

SAFETY INSTRUCTIONS

- Never leave the child unattended while using the go cart. Adult supervision is required at all times.
- The go cart should be used with caution since certain skills are required to avoid falls or collisions that may cause injuries to the user or third parties.
- Protective equipment should be worn while using the go cart.
- Never use the go cart on roadways, near vehicles, on or close to steep inclines or steps, swimming pools or water bodies.
- Always wear shoes when using the go cart.
- Always be seated on the seat when using the go cart.
- Do not use in traffic.
- This go cart is not suitable for children under 37 months due to its speed. Maximum user weight is 30 kgs.
- This go cart is equipped with brakes.

RULES FOR SAFE RIDING

- Ensure children ride within safe riding areas. Never use the go cart on roadways, near vehicles, on or close to steep inclines or steps, swimming pools or water bodies.
- Use the go cart only on flat and level surfaces such as inside your house, garden or playground.
- Never use in the dark. A child could encounter an obstacle and have an accident. Ride only during day-time or in a well-lit area.
- Do not let children touch the wheels or be near them when the go cart is moving.



ADULT ASSEMBLY REQUIRED

This product contains small parts that can be hazardous to children.

Please keep children away during assembly. Please dispose of all packaging materials responsibly.

RECOMMENDED AGE: 3-7 YEARS

LOAD CAPACITY: 30 KGS

NOTICE:

Front Panel or wheel cover may vary from image shown.

The owner's manual contains important safety information as well as assembly, use and maintenance instructions.

This cart must be assembled by an adult who has read and understood the instructions in this manual.

Keep the package away from children and dispose of properly before use.

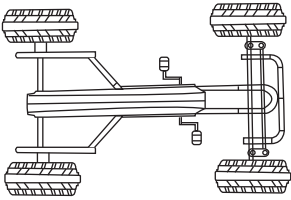
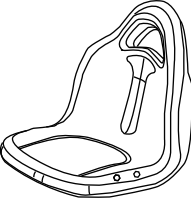
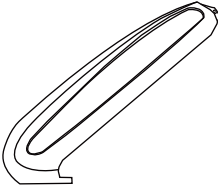
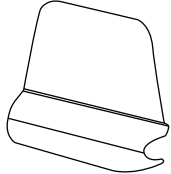
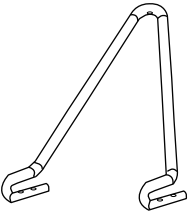

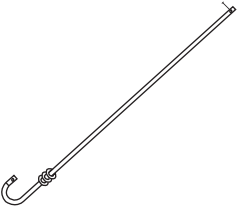
NAME OF GO CART PARTS

PRODUCT MAY VARY FROM IMAGE SHOWN BELOW.


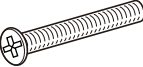




SPECIFICATION

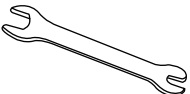
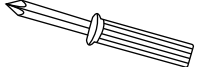
CHECK THE PART LIST BELOW BEFORE ASSEMBLY

			
BODY FRAME - 1PC	SEAT - 1PC	FRONT PANEL- 1PC	NUMBER PLATE - 1PC
			
STEEL FRAME - 1PC	STEERING WHEEL - 1PC	STEERING ROD - 1PC	

HARDWARE LIST

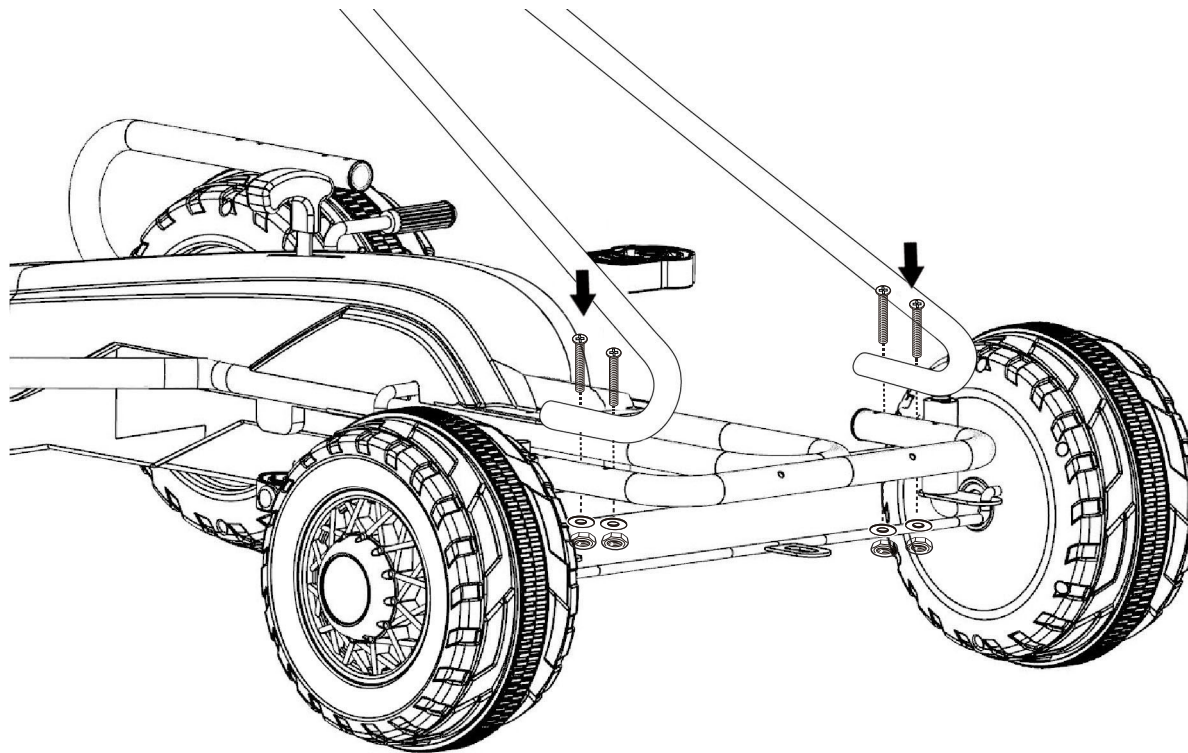
M5 WASHER	M5 x 40mm BOLT	M5 x 12mm SCREW	SELF LOCKING NUT
			
8 PCS	8 PCS	2 PCS	8 PCS

TOOLS REQUIRED

WRENCH	SCREW DRIVER
	
(NOT PROVIDED)	(NOT PROVIDED)

STEEL FRAME TO BODY ASSEMBLY

Attach the steel frame to the Go Cart body and secure with 4 pcs of M5 x 40mm bolts, 4 pcs washer and 4 pcs of nut.



ASSEMBLE THE FRONT PANEL AND STEERING WHEEL

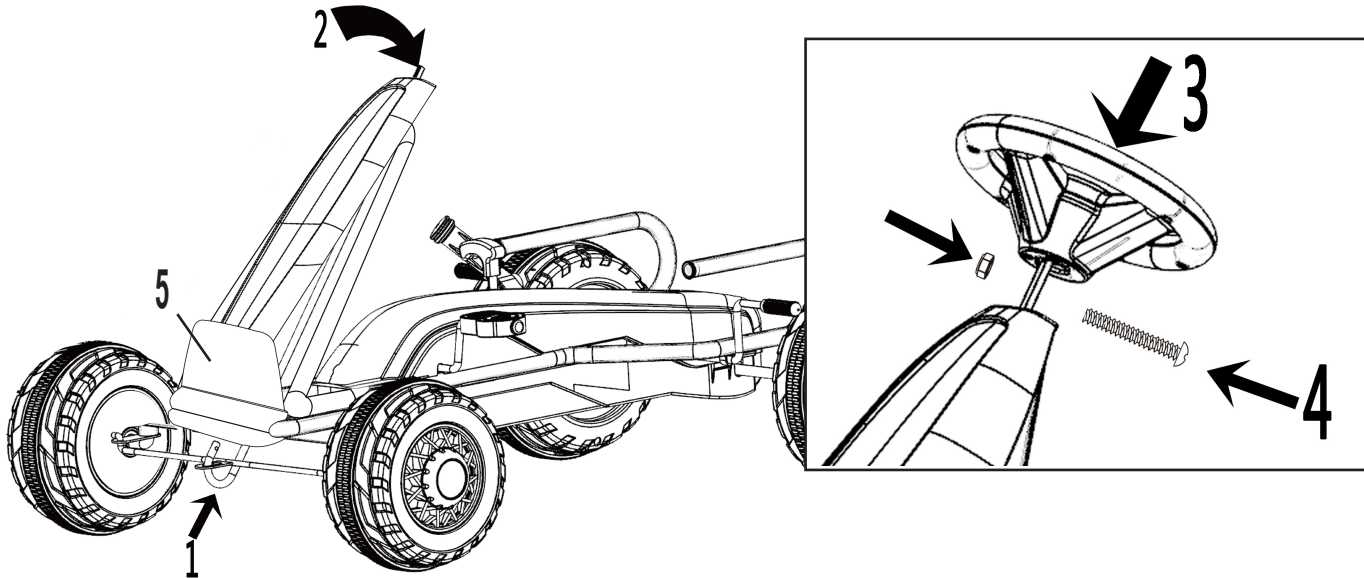
1. Insert the steering rod through the hole (bottom of the body) and make sure it comes through the centre hole of the frame.
2. Attach the steering rod hook to the steel frame as shown in the picture.

Lock the front panel to the body and then make the steering rod going through the steel frame and front panel.

3. Insert the steering wheel into the steering rod and align their holes.
4. Secure with a bolt and locking nut provided.
5. Attach the number plate (if applicable) to body with screws provided.

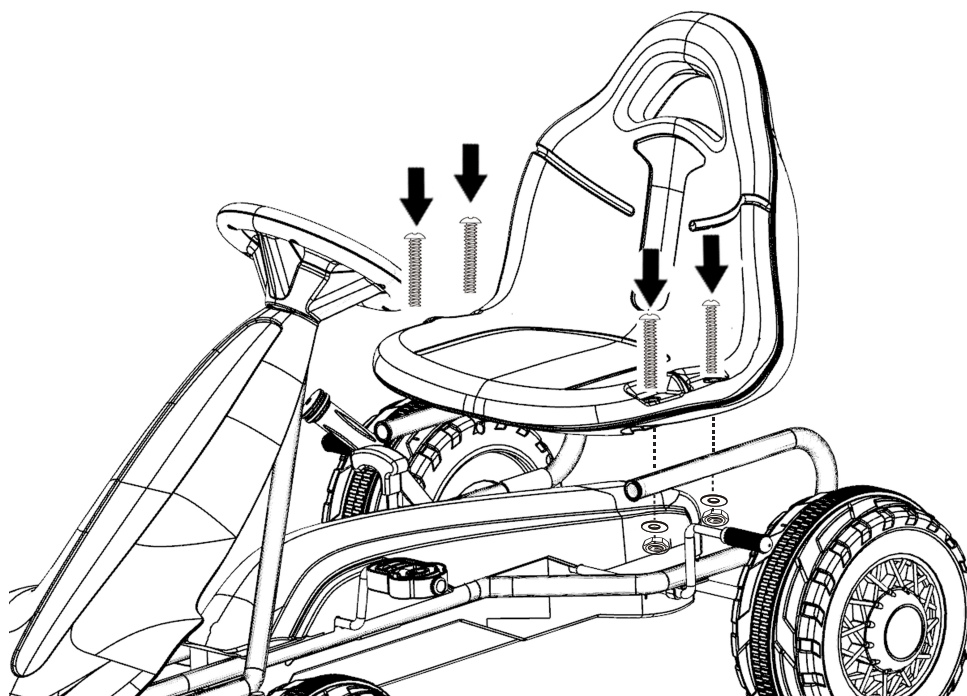
Note:

The bolt and nut for Steering Wheel may preinstalled on the Steering Rod, please take them off before assembly.



ASSEMBLE THE SEAT

Attach the seat to the body with 4 pcs of M5 x 40mm bolts, 4pcs of washers and 4 pcs of nuts as shown in the picture.



NOTICE ON MAINTENANCE

- It is the responsibility of the adult/parent to check the main parts of the go cart before use. Regularly examine for potential hazard such as loosen screws and parts. If the go cart is damaged, it must not be used until it is repaired.
- Ensure that the plastic parts of the go cart are not damaged or broken.
- Occasionally, use a light weight oil to lubricate moving parts such as the wheels.
- Park the go cart indoors or cover it with a tarp to protect it from the weather.
- Keep the go cart away from heat sources, such as stoves and heaters. Plastic parts may melt.
- Clean the go cart with a soft, dry cloth. To restore shine to plastic parts, use a non-wax furniture polish. Do not use car wax. Do not use abrasive cleaners,
- Do not drive the go cart in loose dirt, sand or fine gravel that could damage moving parts.