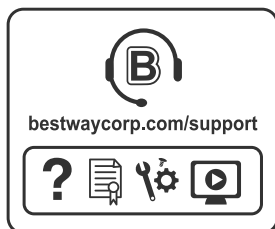


Bestway®



SPLASH-IN-SHADE PLAY POOL OWNER'S MANUAL

bestwaycorp.com/support

Visit Bestway YouTube channel 

Thank you for buying a Bestway pool. In order to ensure that you gain maximum enjoyment and safe use of your pool please follow the installation instructions and the important safety guidelines in your owner's manual.
Assembly usually takes approximately 20 minutes with 2-3 people.

WARNING

Read the manual and follow the instructions relating to safety tips, correct and complete product assembly, setting into service, use and maintenance. The use of a kit swimming pool implies the respect of the safety instructions described in the manual of maintenance and use.

The safety of your children depends entirely on you! Children under 5 years old are at greatest risk. Please take care to avoid accidents. Continuous and competent adult supervision of children and the handicapped is required at all times.

Assign at least one person in charge of safety. Increase supervision if there are several people in the swimming pool. Teach your children to swim if possible. Your children's safety is your responsibility! The risk is the greatest when children are under five. Remember accidents don't just happen to others! Be prepared to react. Without adult supervision, your child's life is in danger.

For safety, please do not set up your pool on a terrace/balcony.

Remember to place our pool where it's possible to drain it easily avoiding flooding.

Never let children enter or remain in the pool or pool area without adult supervision or if they are not wearing life saving devices.

Do not allow access to the pool without a lifejacket or vest for a child not knowing how to swim well and not accompanied in the water.

Test the water temperature before entering the pool by splashing water on your neck, arms and legs.

Under no circumstances should any user jump or dive into the pool, serious injury or death could result. Prohibit running, playing games and other strenuous exercise near the swimming pool.

Pool and accessories should only be assembled by competent adults.

Your pool should be filled by low pressure water flow in order to prevent undue stress to the liner. Bestway will not be responsible for damage to the pool due to filling via water-truck. (See FAQ'S)

Do not straddle, sit, stand, lean over or put pressure onto the top rail, doing so could result in collapse of the pool and flooding causing serious personal injury and/or damage to personal property.

Do not leave toys near or in an unsupervised swimming pool.

Do not swim alone.

Do not use your pool under the use of alcohol, drugs or medicaments.

Store chemicals and accessories out of the reach of children.

Never add chemicals to pool while it is occupied. Consult

a specialist pool

supply retailer to

ensure correct

chemical usage.

Always keep the

pool water clean.

Pool water should be tested regularly to ensure that the PH and chlorine concentration in the water is optimal for safe and enjoyable use throughout the season.

Household pets should be kept clear of pool area to avoid structural damage to pool.

Surround your pool with a fence and ensure the gate is kept closed at all times.

Cover pool when not in use. Neither children nor adults can be seen inside the pool if the cover is in use.

Remove cover completely when in use.

A working electronic detector should be installed to alert you if someone has entered the pool area.

Under no circumstances should this equipment replace an adult's nearby supervision.

Do not leave ladder in pool when pool is unattended. Remember to empty and store the pool during the winter times and if the pool is not used.

Only use Bestway accessories with Bestway pools.

Properly maintain your pool in order to increase life span and safe use. (See Pool Maintenance Section)

Do not operate pump while pool is in use.

Renew the water regularly.

Do not put the empty pool on the ground.

Do not call near the pool, avoid neglected supervision due to calling.

All equipment should be inspected frequently for signs of deterioration, corrosion, broken parts or other hazards which may cause injury. Remember to reapply sunscreen protection regularly and always after swimming.

Failure to follow these instructions can result in property damage, injury or death, especially for children.

Failure to comply with maintenance instructions may lead to serious health hazards, especially for children.

SAFETY

Learn the necessary rescue operations, especially those relating to rescuing children.

Rescue equipment should be located near the pool and the supervising adult

should be fully trained to use it.

Rescue equipment should include but not limited to items such as coastguard approved ring buoy with attached rope and strong, rigid Rescue Pole of at least 366cm (12').

Post emergency numbers including:

- Fire (France 18)
 - Police
 - Ambulance (France 15)
 - Poison Control Hotline
 - Full home address
- Keep a cordless water-resistant phone nearby pool during use.

No Jumping
Shallow Water



No Diving
Shallow Water



In case of an accident:

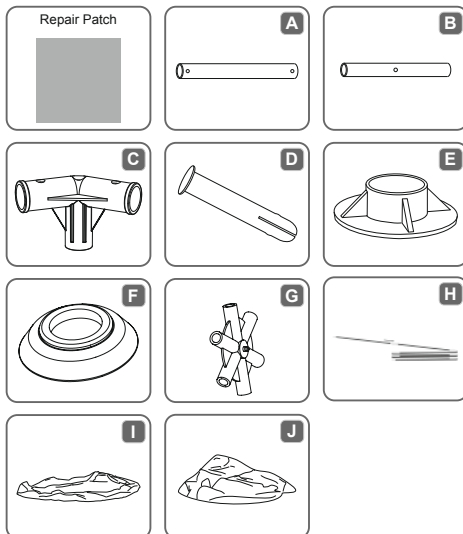
- Take all the children out of the water immediately.
- Call for emergency support and follow their instruction/advise.
- Replace wet clothing with dry clothing.

Watch and react! When supervising children stay close at hand and always be alert.

Teach your children to swim as soon as possible.

PLEASE READ CAREFULLY AND RETAIN FOR FUTURE REFERENCE.

COMPONENTS LIST



Ref	Description	Quantity
A	Top Rail	6
B	Vertical Pool Leg	6
C	T-Connector	6
D	Pin	14
E	Footing	6
F	Gasket	14
G	6-Connector	1
H	Fiberglass pole	6
I	Liner	1
J	Tent's out cloth	1

NOTE: Drawings not scaled to size.

Please see FAQ'S for additional information.

CHOOSE THE CORRECT LOCATION

The surface chosen to install the pool must respect the following technical characteristics:

1. Because of the combined weight of the water inside the pool and the pool users, it is extremely important that the surface chosen to install the pool is capable of uniformly supporting the total weight for the entire time the pool is installed. When choosing the surface, take into consideration that water may come out of the pool when in use or in the rain. If the water softens the surface, it may lose its capability to support the pool weight.
2. Check regularly the position of the vertical legs and the U-supports. They must be on the same level as the bottom of the pool at all times. If the vertical leg or the U-support starts to sink into the ground, drain the water immediately to avoid the pool collapsing due to the uneven loading on the frame structure. Change the location of the pool or modify the surface material.
3. We recommend positioning the pool away from any objects children could use to climb into the pool.
4. Position the pool near an adequate drainage system to deal with overflow or to discharge the pool.
5. The surface must be flat and smooth. If the surface is inclined or uneven, it can create an unbalanced loading on the structure of the pool. This situation can damage the welding point of the liner and bend the frame. In the worst cases, the pool can collapse, causing serious personal injury and/or damage to personal property.
6. The selected surface must be clear of any type of object. Due to the weight of the water, any object under the pool could damage or perforate the bottom of the pool.
7. The selected surface must be clear of aggressive plants and weed species. Those types of strong vegetation could grow through the liner and create water leakage. The grass or other vegetation that may cause odor or slime to develop have to be eliminated from the set-up location.
8. The selected location must not have overhead power lines or trees. Be sure the location does not contain underground utility pipes, lines or cables of any kind.
9. The selected position must be far from house entrance. Do not position any equipment or other furniture around the pool. The water that comes out of the pool during the use or due to a faulty product can damage the furniture inside the house or surrounding the pool.
10. The selected surface must be flat and without holes that can damage the material of the liner. Follow the important instructions above to choose the correct surface and location to set up your pool. Damaged parts of the pool, due to the fact that the set-up surface and location does not match the instructions, will not be considered as manufacture defect and will avoid the warranty and any service claims.

Suggested set-up surfaces: grass, ground, concrete, and all other surfaces that respect the above set-up conditions.

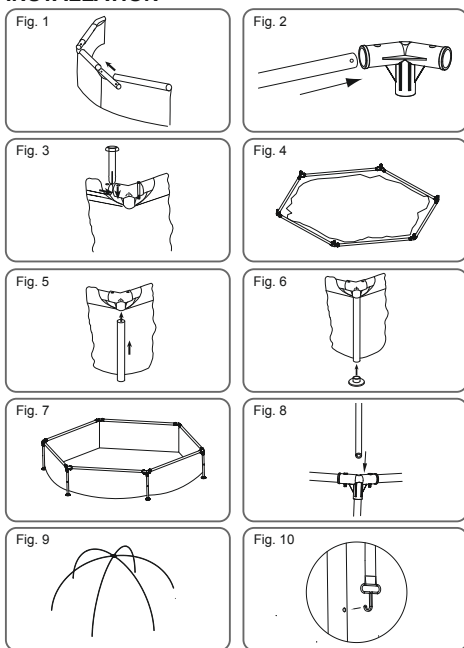
Not suggested surfaces: mud, sand, gravel, deck, balcony, driveway, platform, soft/loose soil or other surface that does not meet the above set-up conditions.

NOTE: Check with your local city council for by-laws relating to fencing, barriers, lighting and safety requirements and ensure you comply with all laws.

NOTE: If have a filter pump, refer to the pump's manual for instructions.

NOTE: The ladder must match the pool size and should be used only for entering and exiting the pool. It is forbidden to exceed the permitted payload of the ladder. Check regularly if the ladder is properly assembled.

INSTALLATION



Assembly of the Splash-in-Shade Play Pool can be completed without tools.

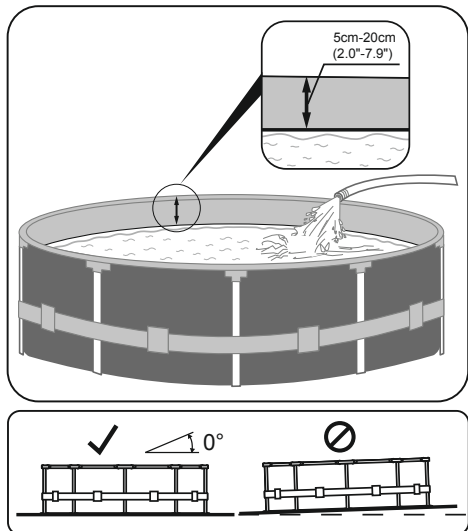
NOTE: It is important to assemble pool in the order shown below. Bestway will not be responsible for damage caused to the pool due to mishandling or failure to follow these instructions.

1. Lay out all parts and check that you have the correct quantities as listed in the components list. For assistance or FAQs, please visit the support section on our website, www.bestwaycorp.com.
2. Spread out the pool and make sure the pool is right side up; let it sit exposed to direct sunlight for 1 hour or more so that the pool is more flexible during set up.
3. Place the pool near an adequate drainage system to deal with overflow water and ensure the pool's inlet A and outlet B are correctly positioned to allow your filter pump to connect to a power source.
NOTE: Do not use extension power cords to power your pump.
ATTENTION: Do not drag the pool on the ground, this can damage the pool.
4. Insert top rail (A) into the pole pockets at the top of the pool. (See Fig. 1)
5. Connect top rail (A) with T-Connector (C) at each of corner and insert pins (D) into gasket (F) first and then into pre-drilled holes of the frame. (See Fig. 2, 3)
6. Repeat steps 5 and 6 until all top rails (A) are connected with T-Connectors (C) and the top frame is set up. For ease of assembly slightly raise the last 2 rails to an inverted V shape and insert into the last T-Connectors (C). Slowly lower until fully connected taking care not to pinch your fingers. (See Fig. 4)
7. Connect vertical pool leg (B) into the bottom of the T-Connector (C). (See Fig. 5)
NOTE: Make sure the hole on the vertical pool leg (B) is facing outward.
8. Attach all footings (E) to the bottom of the vertical pool legs (B). (See Fig. 6)
9. Pull the frame from different directions to ensure all rails, pool legs and connectors are firmly jointed. (See Fig. 7)
10. Cover the water valve on the bottom of the pool.
11. One fiberglass pole (H) has 3 sections. Extend the fiberglass pole by pulling out each section and place it into the metal ferrules.
12. Insert one end of the pre-extend fiberglass pole to the T-Connectors (C), the other end to the 6-Connector (G). Repeat this step for the other fiberglass poles. Make sure the 6 fiberglass poles form a semidome. (See Fig. 8, 9)
13. Spread the tent's outer cloth (J), make sure the center is above on the 6-Connector (G), adjust the tent's outer cloth (J) position until the sewing lines are superposed to the fiberglass poles (H). Hook the tent's outer cloth (J) to the hole of the vertical pool leg (B). (See Fig. 10)
14. Tie the outer cloth (J) to the fiberglass pole (H) by using the 3 pairs ropes at the inner of outer cloth (J).
15. Smooth out all wrinkles on the outer cloth and make it perfect.
16. Put 1" to 2" water in the pool to cover the floor. Once pool floor is slightly covered, gently smooth out all wrinkles. Start in the center of the pool and work your way clockwise to the outside.

FILLING POOL WITH WATER

ATTENTION: Do not leave pool unattended while filling with water.

1. Fill the pool until the water reaches the welding line located 5cm-20cm (2.0"-7.9") from the top of the pool. **DO NOT OVERFILL**, as this could cause the pool to collapse. In times of heavy rainfall you may need to empty some of the water to ensure the level is correct.
2. When filling the pool is completed, check that the water is not collecting on any side to ensure the pool is level.
IMPORTANT: If pool is not level, drain water and re-level ground by digging out. Never attempt to move the pool with water in it, serious personal injury or damage to the pool may result.
WARNING: Your pool may contain a great deal of pressure. If your pool has any bulge or uneven side then the pool is not level, the sides may burst and the water may discharge suddenly causing serious personal injury and/or damage to property.
3. Check pool for any leaks at valves or seams, check any evident water loss. Do not add chemicals until this has been done.



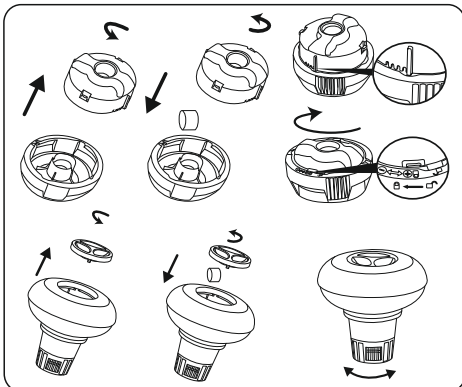
NOTE: Drawings for illustration purpose only. May not reflect actual product. Not to scale.

POOL MAINTENANCE

If you do not adhere to the maintenance guidelines below, your health might be at risk, especially that of your children.

Using chemical tablets (not included):

NOTE: Chemconnect or Chemical Floater must be used when you perform chemical maintenance with tablets. You purchased item may not include any of those dispensers, in this case you can purchase it by visiting our website www.bestwaycorp.com or at the nearest pool dealer.



Important: Don't use granulate tablets or throw the tablet directly in the water. The chemicals can deposit on the bottom, damage the material and discolor the PVC.

Using chemical liquid (not included):

IMPORTANT: Add chemical liquid in small doses and in the center of the pool to avoid direct contact between the chemicals and the PVC surface. Direct contact can damage the material and discolor the surface.

NOTE: Remove the chemical dispenser from pool when the pool is in use.

IMPORTANT: After performing chemical maintenance and before using the pool, use a test kit (not included) to test the water chemistry. We recommend maintaining your water according to the following table.

TEST	IDEAL VALUES
pH value	7.4 – 7.6
Cyanuric acid	30 – 50 ppm
Free chlorine	2 – 4 ppm
Chlorine compound	0
Algae	None visible
Calcium hardness	200 – 400 ppm

NOTE: Damage resulting from chemical imbalance is not covered by the warranty. Pool chemicals are potentially toxic and should be handled with care. There are serious health risks from chemical vapors and the incorrect labeling and storage of chemical containers. Please consult your local pool supply retailer for more information about chemical maintenance. Pay close attention to the chemical manufacturer's instructions. Pool damage resulting from misuse of chemicals and mismanagement of pool water is not covered by the warranty.

Important: Over usage of chemicals can discolor the printing and all points of the pool material. It can also damage the structure of the pool liner.

To keep your pool clean:

1. Contact your local pool supply shop for advice and purchase of chemicals and pH kits. One of the most important factors to increase the life of the liner is to keep continuously clean and healthy water. Please strictly follow the instructions from professional technicians for the water treatment through the use of chemicals.
2. Locate a bucket of water next to pool to clean users' feet before entering pool.
3. Cover the pool when not in use.
4. Skim pool regularly to avoid settled dirt.
5. Check and wash the filter cartridge regularly.
6. Gently clean any scum from below the top ring with a clean cloth.
7. Please be careful in case of rain water, kindly check that the water level is not higher than the expected. If so, YOU HAVE TO DISCHARGE THE EXCESS WATER.
8. If it rains, check that the water level is not higher than the specified level. If water exceeds the specified levels, drain the pool to the specified level.

Proper maintenance can maximize the life of your pool.

During the season of use of the swimming pool, the filtration system must be necessarily put into service every day, enough time to assure at least a complete renewal of the volume of water.

NOTE: The pump is used to circulate the water and to filter small particles. In order to keep your pool water clean and hygienic, you must also add chemicals.

REPAIR

In the event of a leak, patch your pool using the underwater adhesive repair patch provided. You can find the instructions in FAQs on the support section of our website, www.bestwaycorp.com.

DISMANTLING

1. Open water valve on the bottom of the pool, water will drain automatically. (Check local regulation for drainage by-laws). Then dismantle the frame of the pool to release the water. Make sure release most of the water in 20 minutes.

NOTE: Drain by adult only!

2. Air dry pool.

ATTENTION: Do not leave the drained pool outside.

STORAGE

1. Please remove all the accessories and spare parts of the pool and store them clean and dry.
2. Once pool is completely dry, sprinkle with talcum powder to prevent pool from sticking together, fold pool carefully. If pool is not completely dry, mould may result and will damage the pool liner.
3. Store liner and accessories in a dry place with a moderate temperature between 5°C / 41°F and 38°C / 100°F.
4. During rainy season, pool and accessories should be stored as above instruction also.
5. Unproper draining of the pool might cause serious personal injury and/or damage to personal property.

For support please visit us at:
bestwaycorp.com/support

©2022 Bestway Inflatables & Material Corp.

All rights reserved/Tous droits réservés/Todos los derechos reservados/Alle Rechte vorbehalten/Tutti i diritti riservati

Trademarks used in some countries under license from/

Marques utilisées dans certains pays sous la licence de/

Marcas comerciales utilizadas en algunos países bajo la licencia de/

Die Warenzeichen werden in einigen Ländern verwendet unter Lizenz der/

Marchi utilizzati in alcuni paesi concessi in licenza a

Bestway Inflatables & Material Corp., Shanghai, China

Manufactured, distributed and represented in the European Union by/

Fabriqué, distribué et représenté dans l'Union Européenne par/Fabricado, distribuido y representado en la Unión Europea por/

Hergestellt, vertrieben und in der Europäischen Union vertreten von/Prodotto, distribuito e rappresentato nell'Unione Europea da

Bestway Europe S.p.a., Via Resistenza, 5, 20098 San Giuliano Milanese (Milano), Italy

Distributed in Latin America by/Distribué en Amérique latine par/Distribuido en Latinoamérica por/Distribuido en América Latina por

Bestway Central & South America Ltda, Salar Ascotan 1282, Parque Enea, Pudahuel, Santiago, Chile

Distributed in Australia & New Zealand by **Bestway Australia Pty Ltd, Unit 2/98-104 Carnarvon St Silverwater, NSW 2128, Australia**

Tel: Australia: (+61) 2 9037 1388; New Zealand: 0800 142 101

Distributed in United Kingdom by **Bestway Corp UK Ltd, 8 Wentworth Road, Heathfield Industrial Estate, Newton Abbot, Devon, TQ12 6TL**

Exported by/Exportado por/Exportiert von/Esportato da

Bestway (Hong Kong) International Ltd./Bestway Enterprise Company Limited

Suite 713, 7/Floor, East Wing, Tsim Sha Tsui Centre, 66 Mody Road, Kowloon, Hong Kong

www.bestwaycorp.com

Bestway