




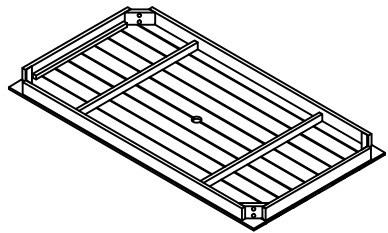
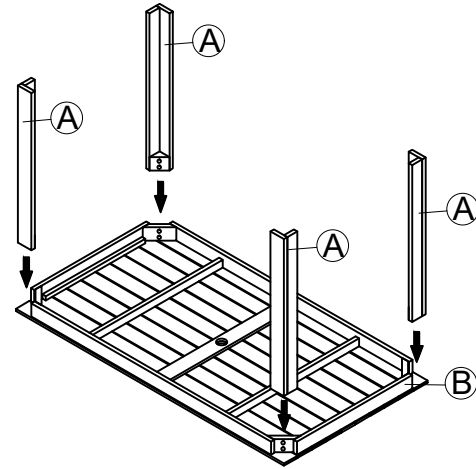
# ASSEMBLY INSTRUCTION

No	Hardware	Fig	Q.ty
①	Bolt M8 x 50 mm		8
②	Washer M8		8
③	Allen Key(K4)		1



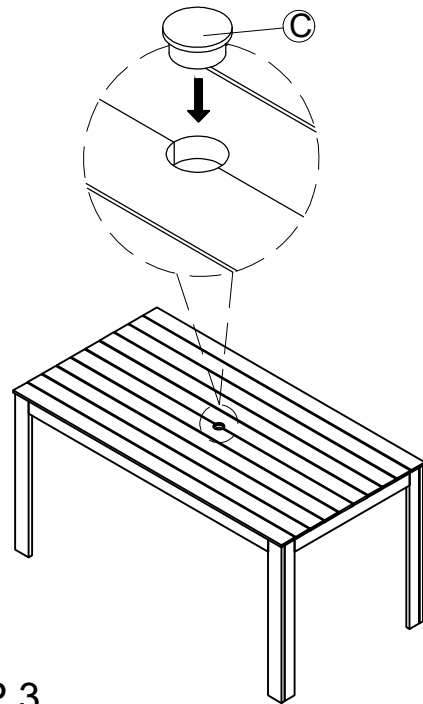
Ⓐ x 4

STEP 1



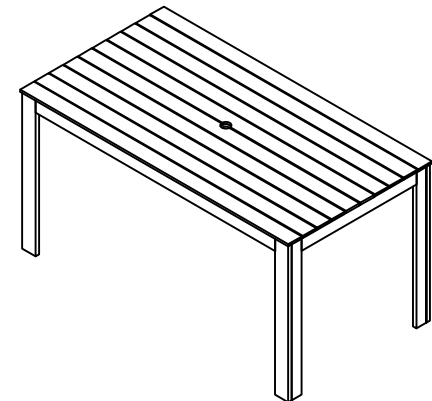
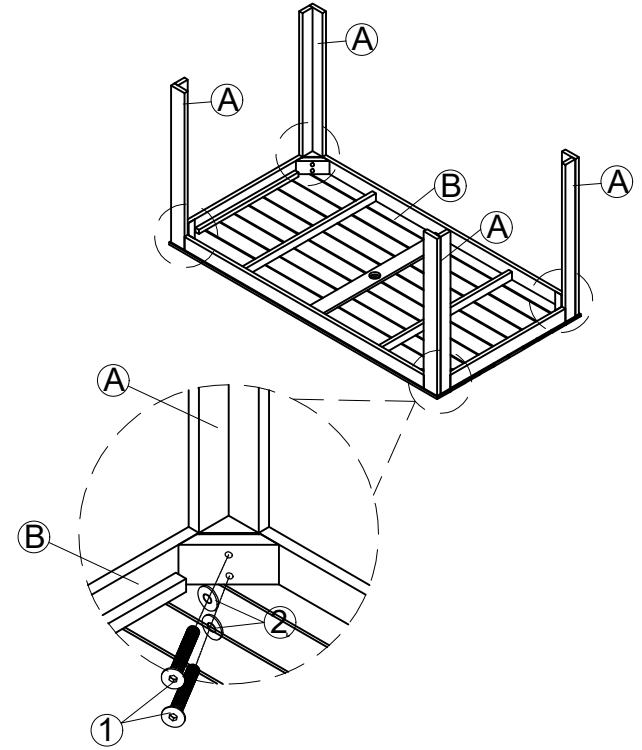
Ⓑ x 1

STEP 3






Ⓒ x 1

STEP 2

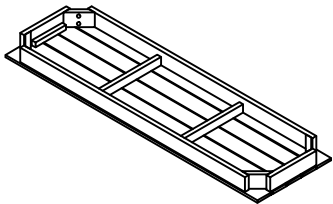


# ASSEMBLY INSTRUCTION

No	Hardware	Fig	Q.ty
①	Bolt M8 x 50 mm		16
②	Washer M8		16
③	Allen Key(K4)		1

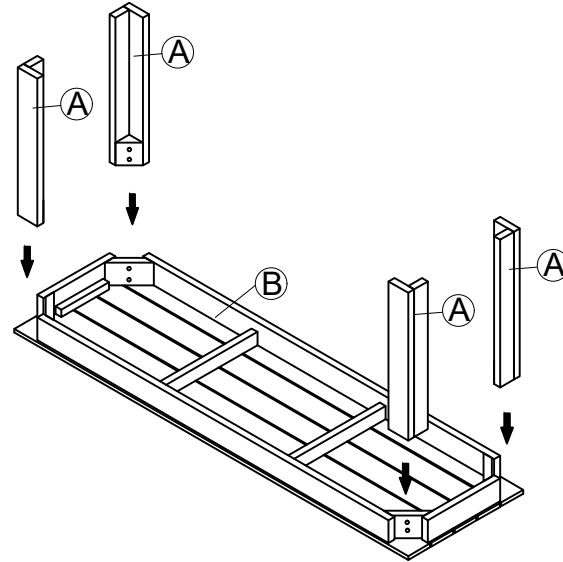


Ⓐ x 8



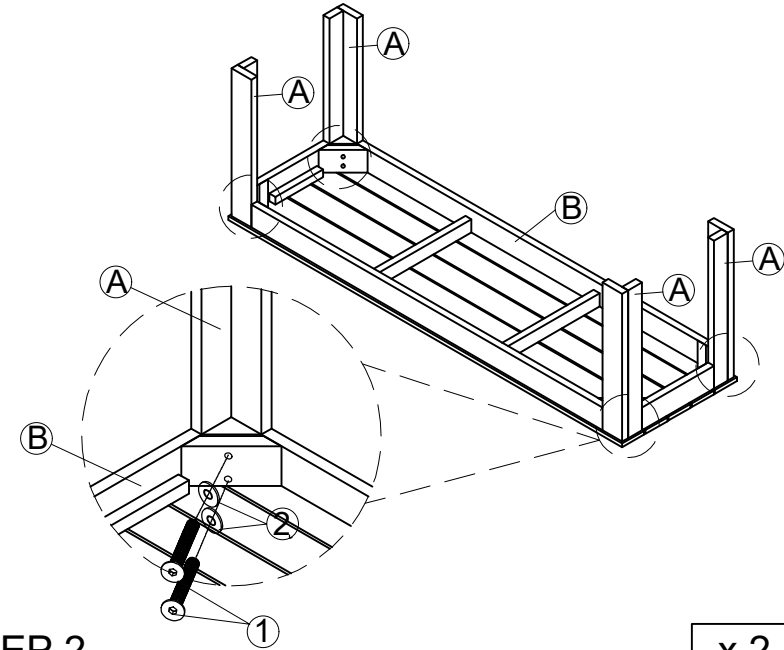
Ⓑ x 2

STEP 1

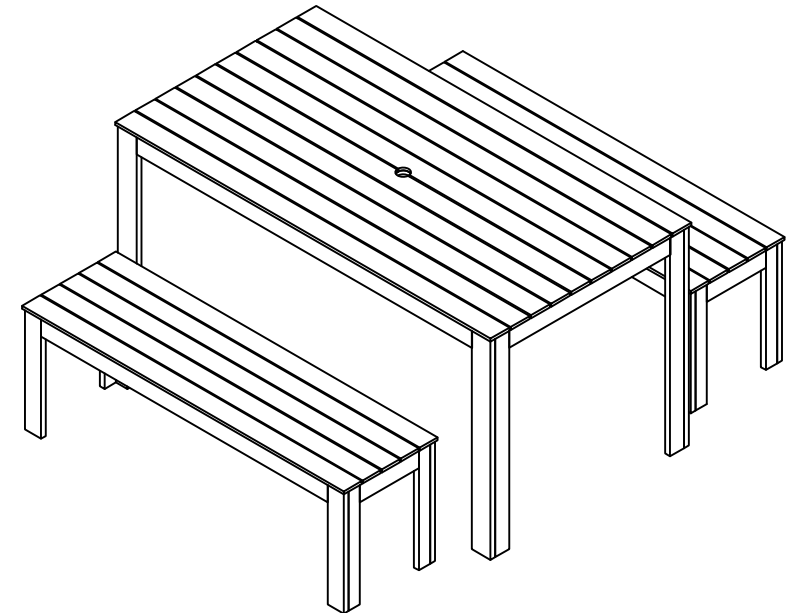
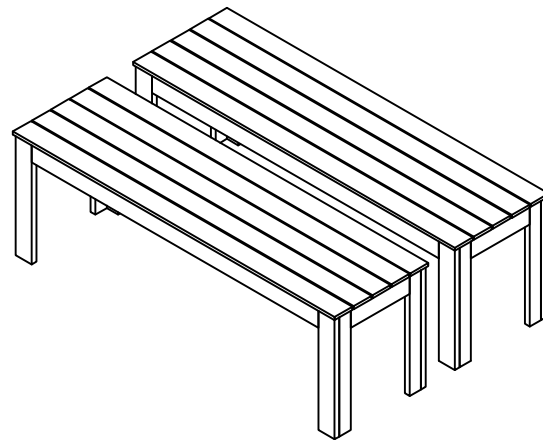


x 2

STEP 2



x 2



CARE INSTRUCTIONS: WIPE CLEAN WITH A DAMP CLOTH. DO NOT USE ABRASIVE MATERIALS AND SOLVENTS. STORE IN A DRY PLACE. FOR DOMESTIC USE ONLY.  
 WARNING: DO NOT STAND ON THE BENCH. DO NOT USE THE BENCH AS A STEP LADDER. DO NOT USE THE BENCH UNLESS ALL BOLTS, SCREWS AND KNOBS ARE FIRMLY SECURED. DO NOT DRAG WHEN MOVING THE BENCH TO AVOID DAMAGING THE JOINTS. FAILURE TO FOLLOW THESE WARNINGS COULD RESULT IN SERIOUS INJURY.  
 MAXIMUM SAFE LOAD FOR BENCH: 200 KGS & MAXIMUM SAFE LOAD FOR TABLE: 30 KGS