

Adjustable Basketball System

Keycode: 43169979

WARNING:

**IMPROPER INSTALLATION
OR SWINGING ON THE
RING MAY CAUSE SERIOUS
INJURY OR DEATH**



WARNING!!!

**Read all instruction thoroughly before assembling and using
this equipment.**

Table of Contents

WARNING	3
PART LIST	4-7
ASSEMBLY STEPS	
STEP 1	8
STEP 2	9
STEP 3	10
STEP 4	11
STEP 5	12
STEP 6	13
STEP 7	14
STEP 8	15
STEP 9	16
STEP 10	17
STEP 11	18
STEP 12	19
STEP 13	20
How to move basketball	21
How to adjust the height	22
POLE CARE AND SYSTEM MAINTENANCE	23
WARRANTY	24

WARNING!!!

NEVER OPERATE THE PORTABLE BASKETBALL SET WITHOUT FILLING UP THE MOULDED BASE WITH WATER OR SAND FULLY.

THOSE WHO ASSEMBLE AND USE THE SYSTEM MUST READ, UNDERSTAND AND COMPLY WITH ALL THE FOLLOWING.

THE OWNER MUST ENSURE THAT ALL PLAYERS KNOW AND FOLLOW THE RULES FOR THE SAFE OPERATION OF THIS SYSTEM.









THE SYSTEM MUST BE REMOVED AND ASSEMBLED ONLY BY ADULTS WHO CAN SAFELY HANDLE THE WEIGHT.

1. Before assembling the system, the assembler must read all instructions carefully and ensure that all parts are present.
2. Before building the basketball system, you will need to choose a flat piece of ground void of any obstacles that could cause harm to the players.
3. Before using the system, the players must first check the stability of the base. The ground under the base should be free of sharp objects that could cause the base to leak. The base should be filled with the appropriate amount of sand or water, as outlined in the instruction manual.
4. Do not push or drag the base on the ground, as it may cause damage.
5. This system should not be used for a formal match. Dunking and hanging from the rim is not advised.
6. Do not use the system in severe weather.
7. Check the system before each use for loose or damaged parts.
8. Do not hang from the hoop or climb on the pole.
9. Do not climb on the base or structure in general as this could result in serious personal injuries.
10. Adjustments and moving of the basketball set must be carried out by adults.
11. Always check the unit to ensure that the moulded base is full of water or sand, and all fittings and hardware are tight before each use.
12. Always place the base on a flat surface.
13. Do not let water freeze in the base.
14. Two people are required for assembly.
15. Keep the manual for future reference.

Please adjust product to the lowest height and store it safely when not in use or before bad weather with severe wind.

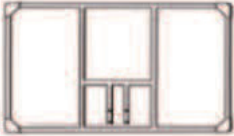





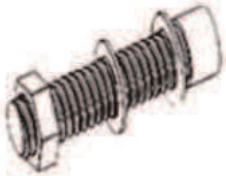
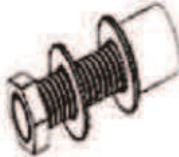
Part List

Part #, Description, Picture, Quantity

<p>1</p>  <p>Bottom Pole</p> <p>QTY:1</p>	<p>2</p>  <p>Middle Pole</p> <p>QTY:1</p>
<p>3</p>  <p>Top Pole</p> <p>QTY:1</p>	<p>4</p>  <p>Bottom Pole Brace</p> <p>QTY:2</p>
<p>5</p>  <p>Lower handle bar</p> <p>QTY:1</p>	<p>6</p>  <p>Upper handle bar</p> <p>QTY:1</p>
<p>7</p>  <p>Short backboard connecting tube</p> <p>QTY:2</p>	<p>8</p>  <p>Long backboard connecting tube</p> <p>QTY:2</p>

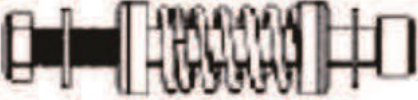



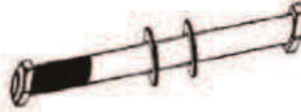





Part List

Part #, Description, Picture, Quantity

<p>9</p>  <p>Backboard</p> <p>QTY:1</p>	<p>10</p>  <p>Rim</p> <p>QTY:1</p>
<p>11</p>  <p>Net</p> <p>QTY:1</p>	<p>12</p>  <p>Base</p> <p>QTY:1</p>
<p>13</p>  <p>Backboard Connecting Plate</p> <p>QTY:2</p>	<p>14</p>  <p>Bolt, Washer and Screw Set</p> <p>QTY:1</p>
<p>15</p>  <p>Bolt, Washer and Screw Set</p> <p>QTY:4</p>	<p>16</p>  <p>Bolt, Washer and Screw Set</p> <p>QTY:2</p>






Part List

Part #, Description, Picture, Quantity







<p>17 26 27</p>  <p>Bolt, Washer and Screw Set</p> <p>QTY:2</p>	<p>17-1</p>  <p>QTY:1</p> <p>17-2</p>  <p>QTY:2</p> <p>Bolt, Washer and Screw Set</p>
<p>18</p>  <p>QTY:2</p> <p>24</p>  <p>QTY:1</p> <p>Bolt, Screw</p>	<p>19</p>  <p>Base Pole Axle</p> <p>QTY:1</p>
<p>20</p>  <p>Middle pole mounting plate</p> <p>QTY:1</p>	<p>21</p>  <p>wheel</p> <p>QTY:2</p>
<p>22</p>  <p>Wheel axle</p> <p>QTY:2</p>	<p>23</p>  <p>Tube washer short size</p> <p>QTY:2</p>

Part List

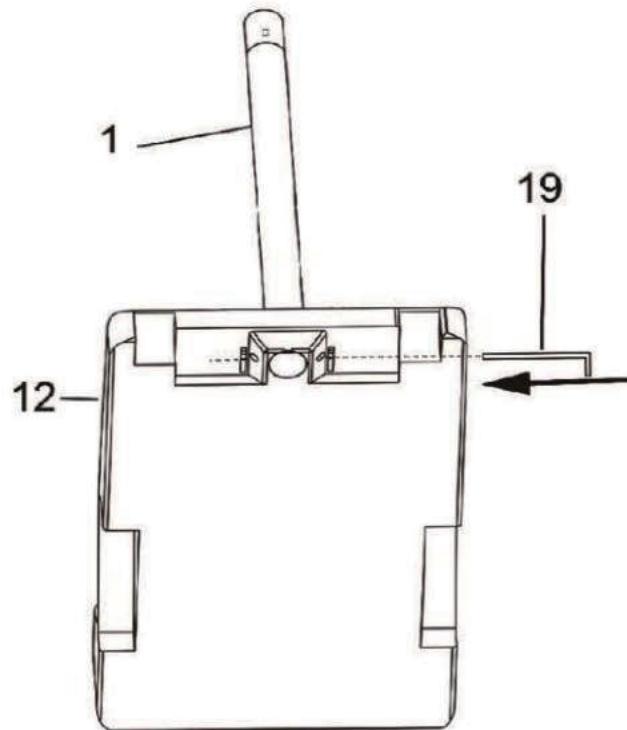
Part #, Description, Picture, Quantity

<p>25</p>  <p>Bolt, Washer and Screw Set</p> <p>QTY:4</p>	<p>28 29</p>  <p>Bolt, Washer and Screw Set</p> <p>QTY:2</p>
<p>30</p>  <p>QTY:1</p>	<p>32</p>  <p>Bolt, Screw</p> <p>QTY:4</p>
<p>31</p>  <p>Spring</p> <p>QTY:1</p>	

Tools Kit,

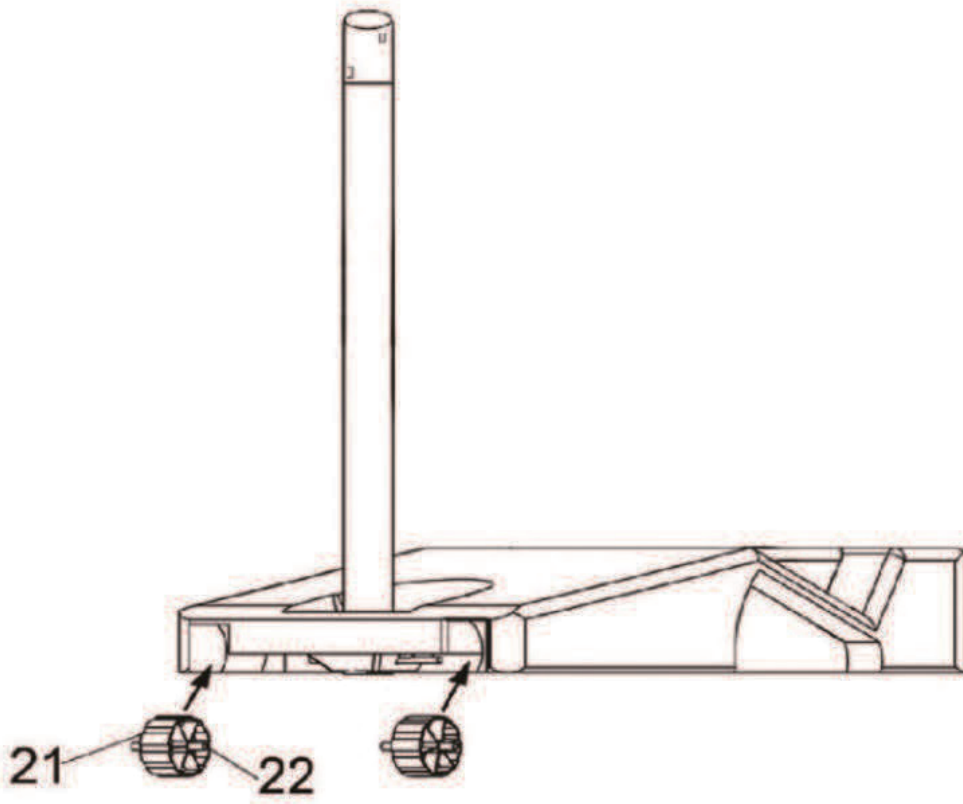
a		1pc	d		1pc
b		1pc	e		1pc
c		1pc	f		1pc

Step 1



The Axle (Part# 19) will go through the base (part# 12), the bottom pole (part# 1) and finally through the base again. Kindly note you should turn the axle to attach the base when finished the above assembly.

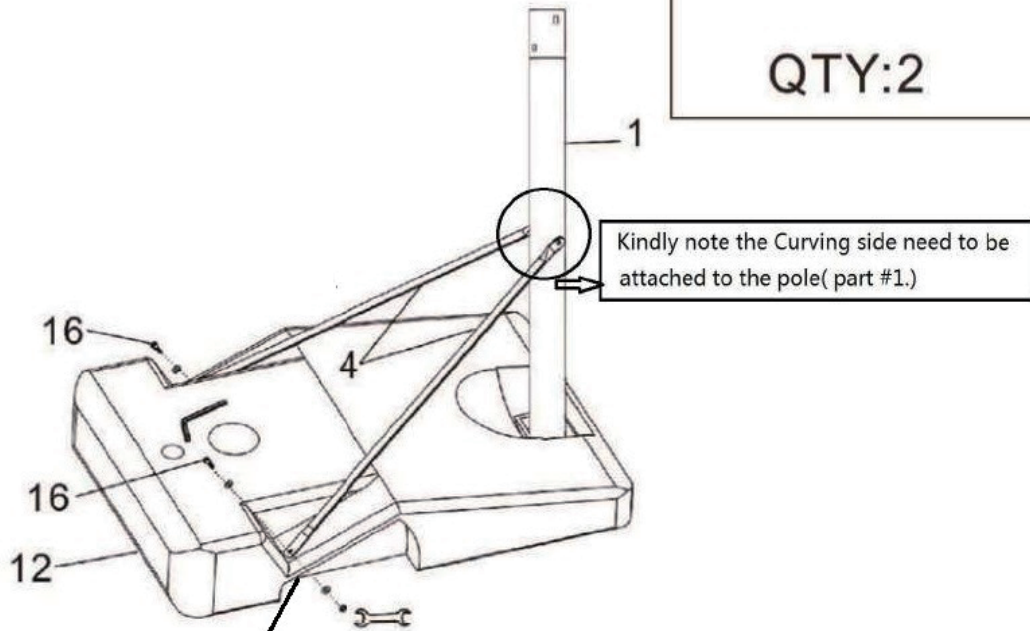
Step 2



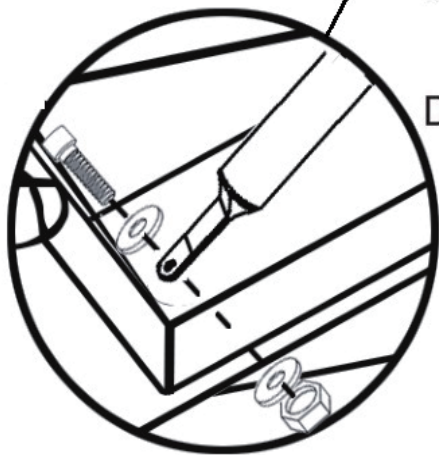
Step 3


A

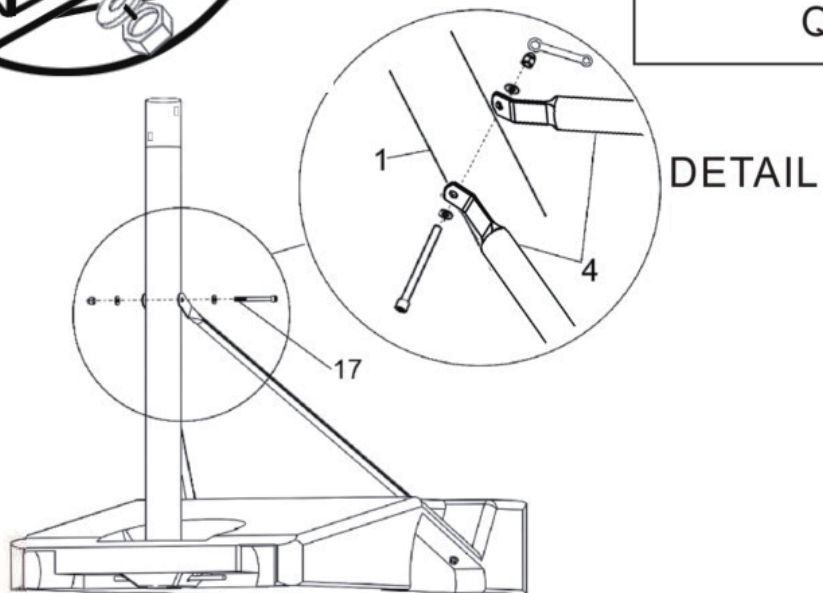
HARDWARE NEEDED	
16	
QTY:2	



B



HARDWARE NEEDED	
17-1	
QTY:1	



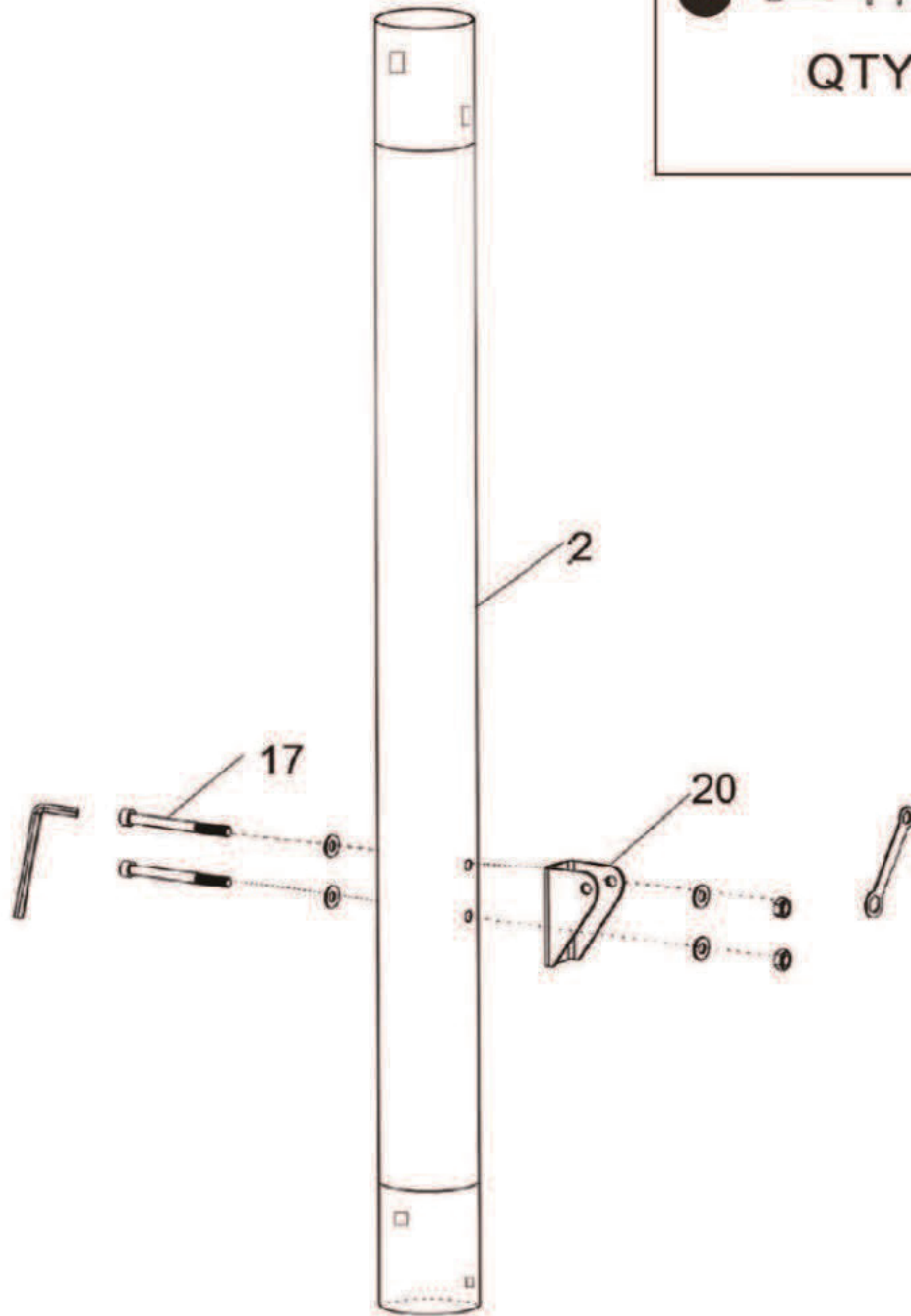
Step 4

HARDWARE NEEDED

17-2

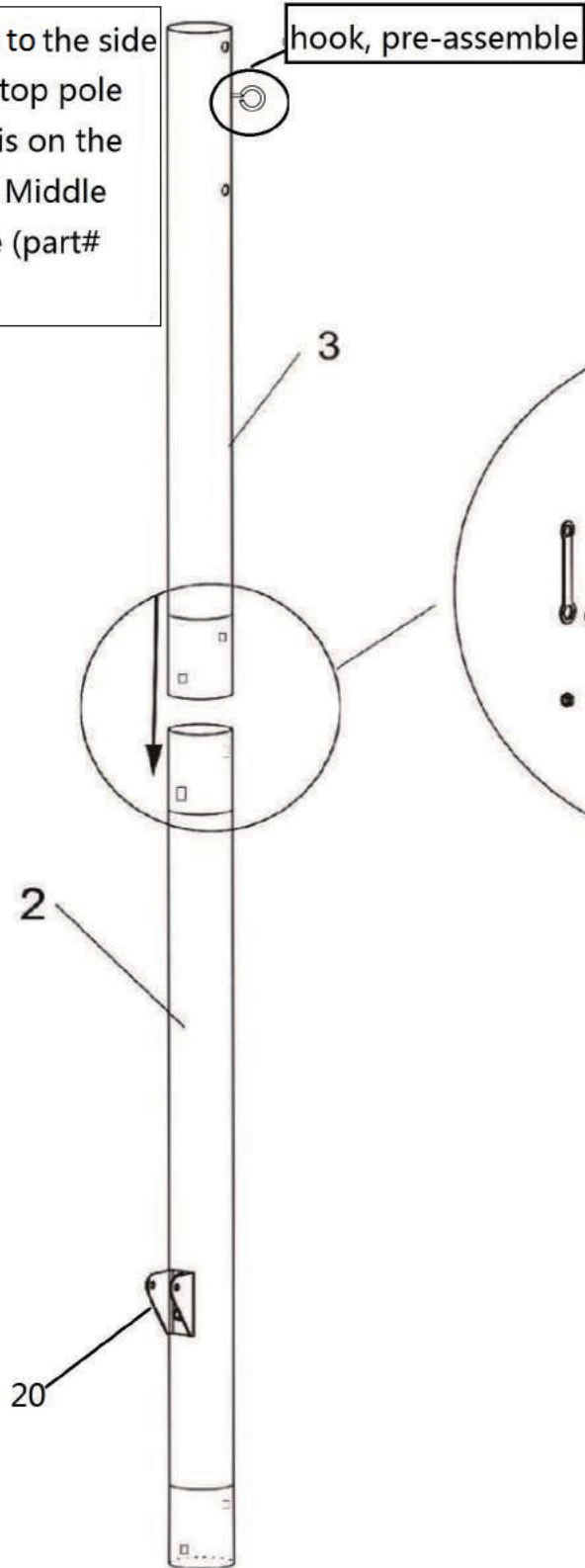


QTY:2

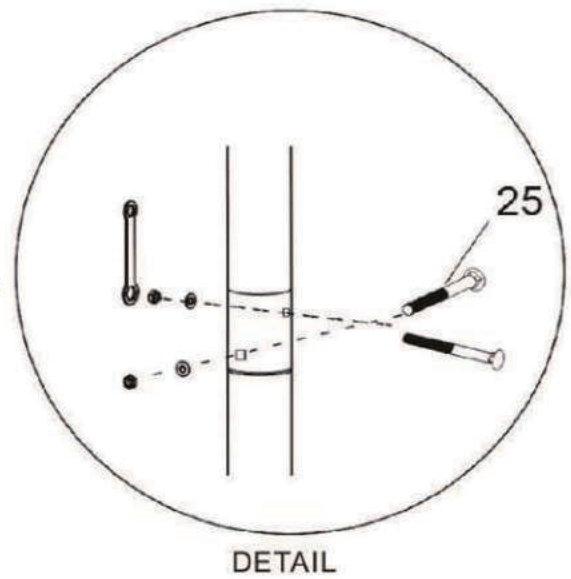


Step 5

Please pay attention to the side when you assemble top pole (part# 3). The hook is on the opposite side of the Middle pole mounting plate (part# 20).

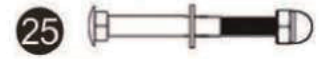


HARDWARE NEEDED	
25	
QTY:2	



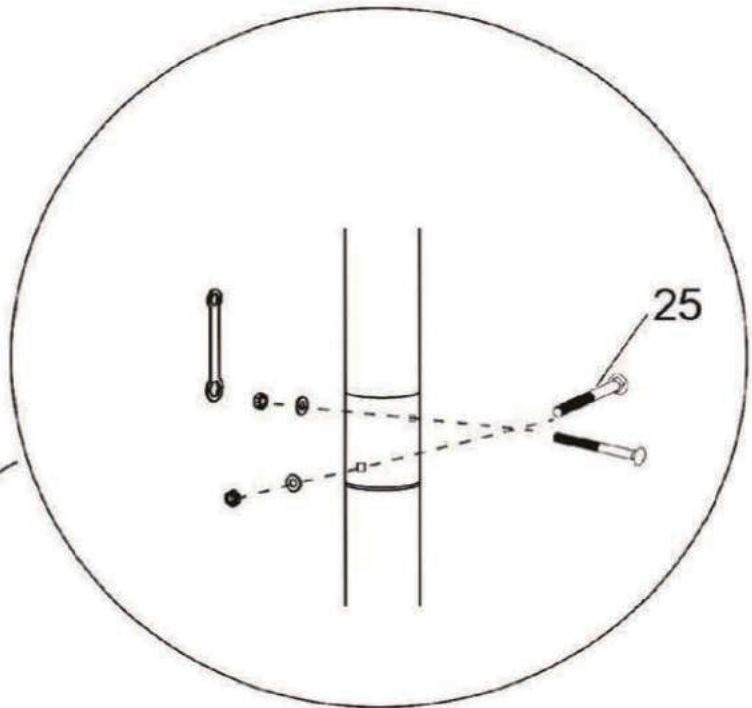
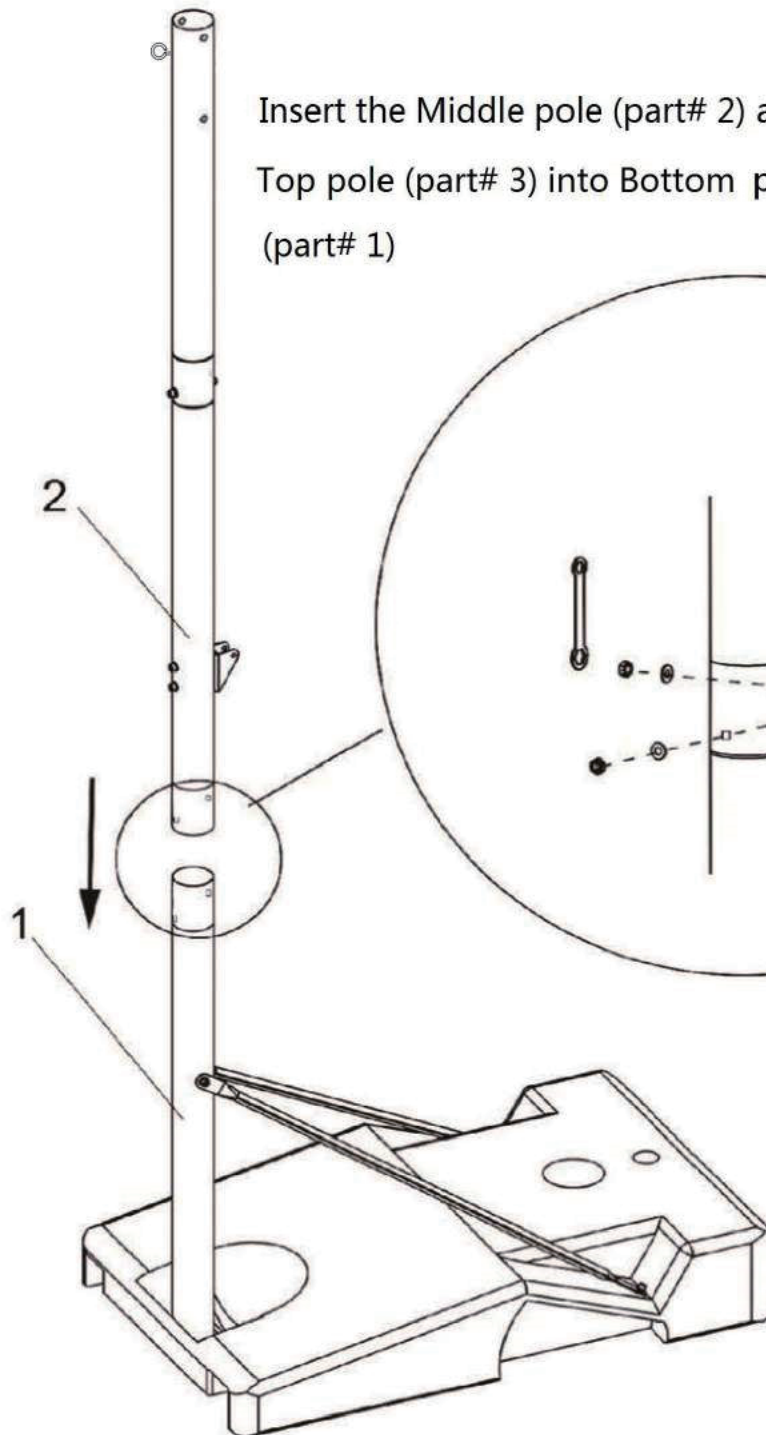
Step 6

HARDWARE NEEDED



QTY:2

Insert the Middle pole (part# 2) and Top pole (part# 3) into Bottom pole (part# 1)

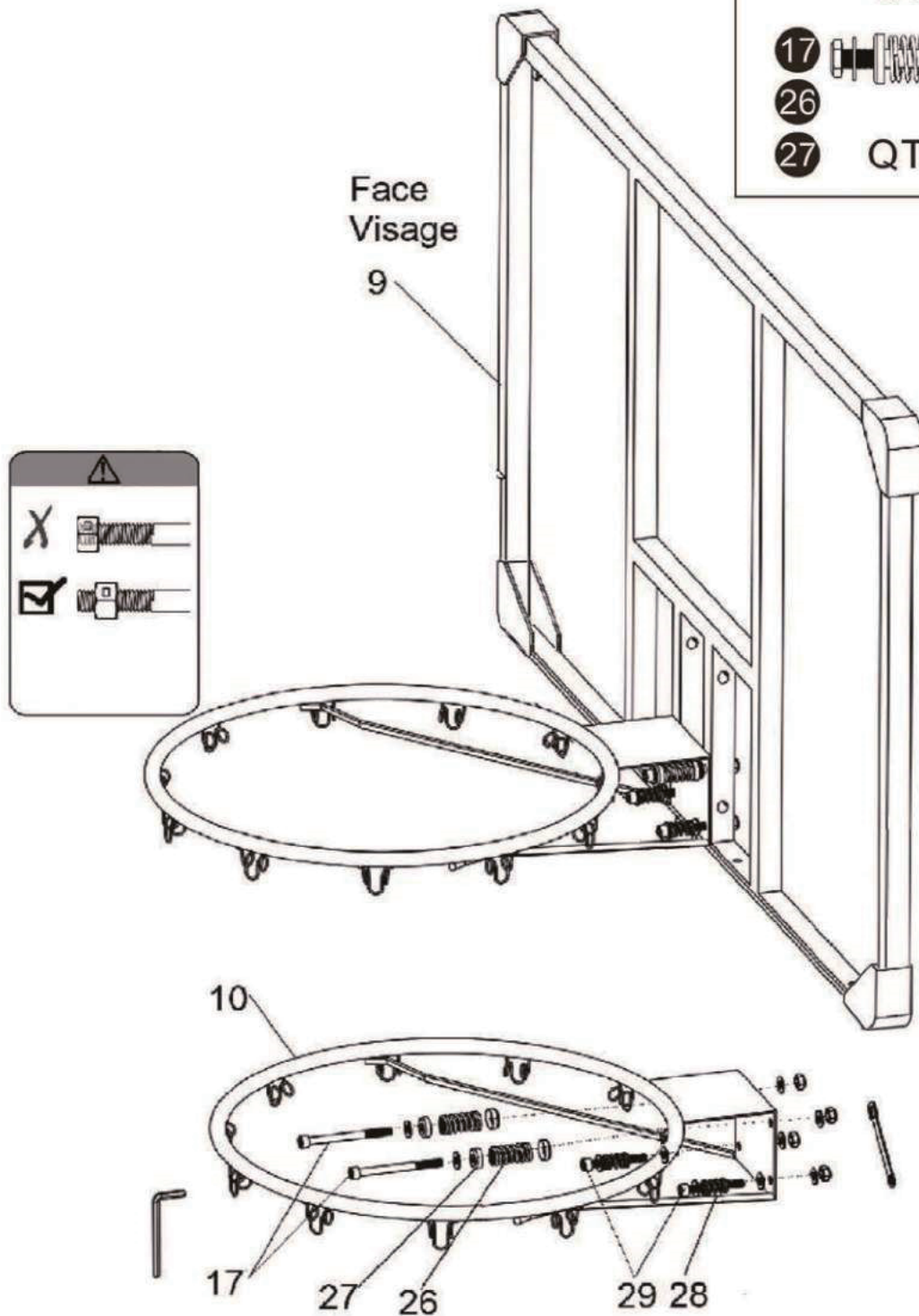
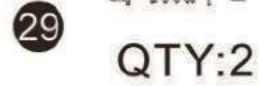


DETAIL

Step 7

Attached the rim (part# 10) to the backboard (part# 9) using the bolts (28/29/17/26/27).

HARDWARE NEEDED



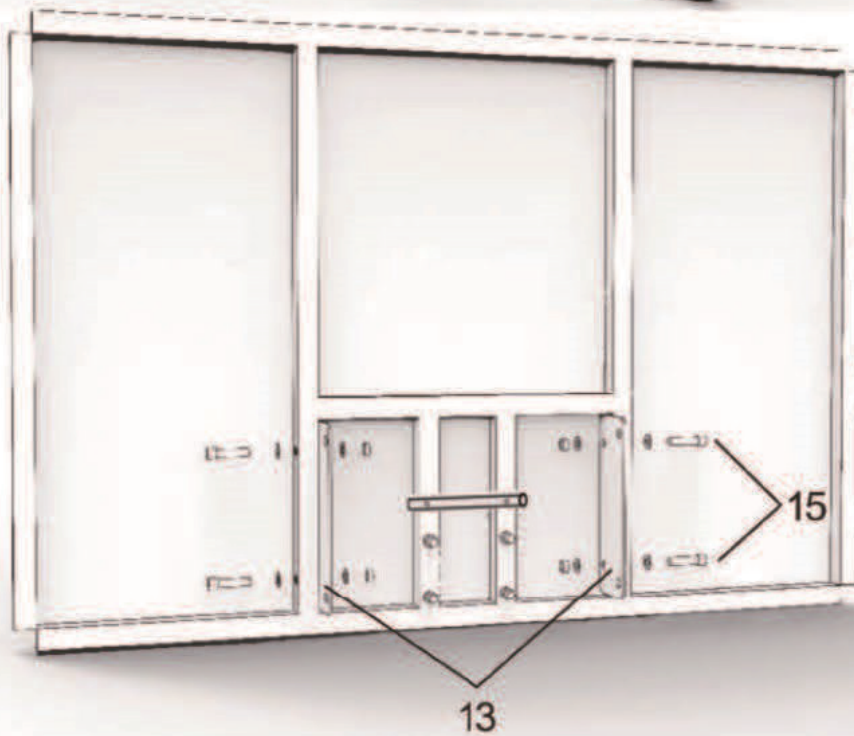
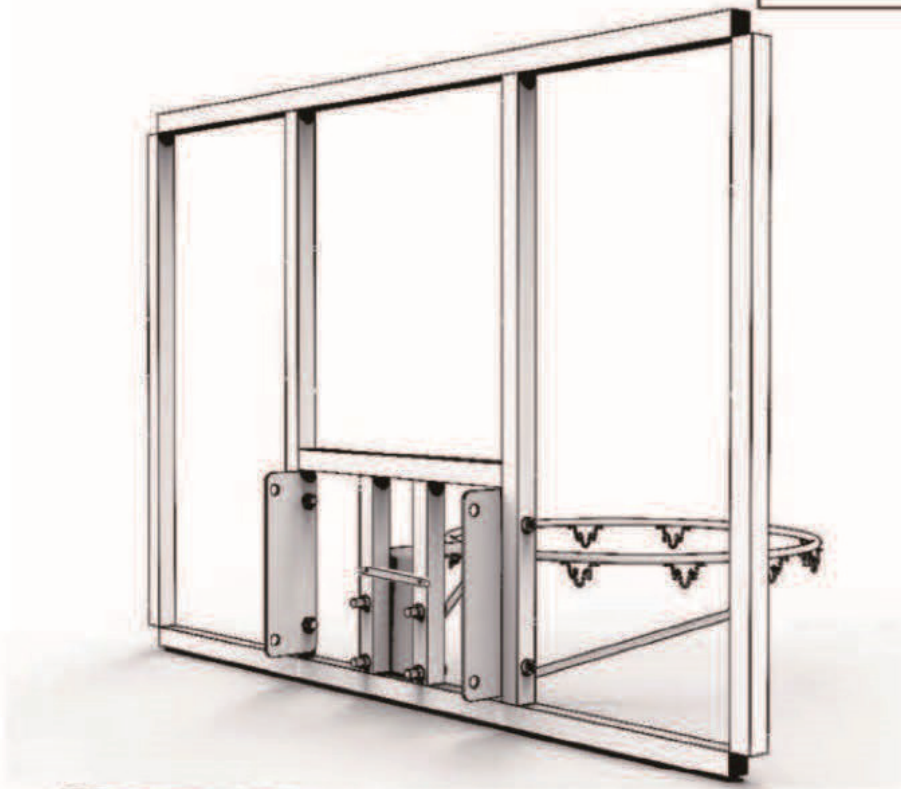
Step 8

HARDWARE NEEDED



15

QTY:4



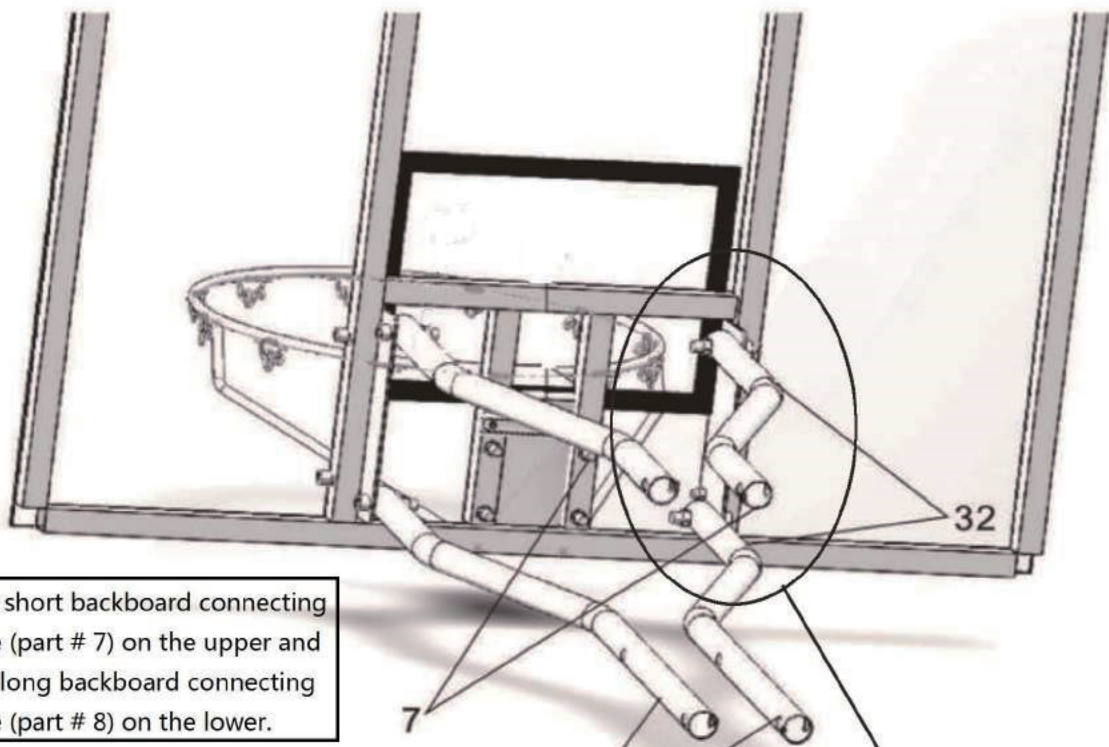
Step 9

HARDWARE NEEDED

32

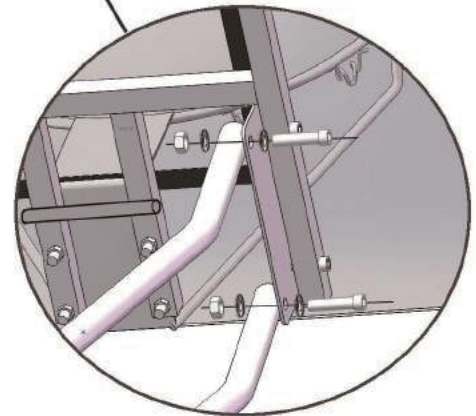


QTY:4



Two short backboard connecting tube (part # 7) on the upper and two long backboard connecting tube (part # 8) on the lower.

The bolt (part #32) go through the backboard(part #9), backboard connecting plate (part# 13) and backboard connecting tube (part# 7/8).

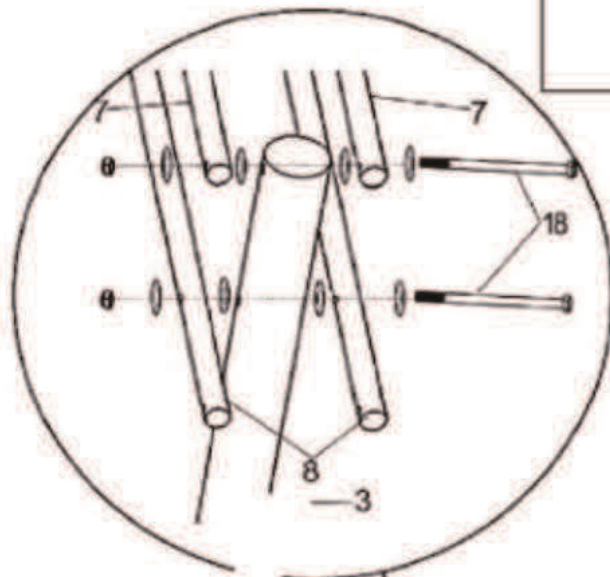


Step 10

HARDWARE NEEDED



QTY:2




DETAIL




Please do not tighten the screws before completing all installation.

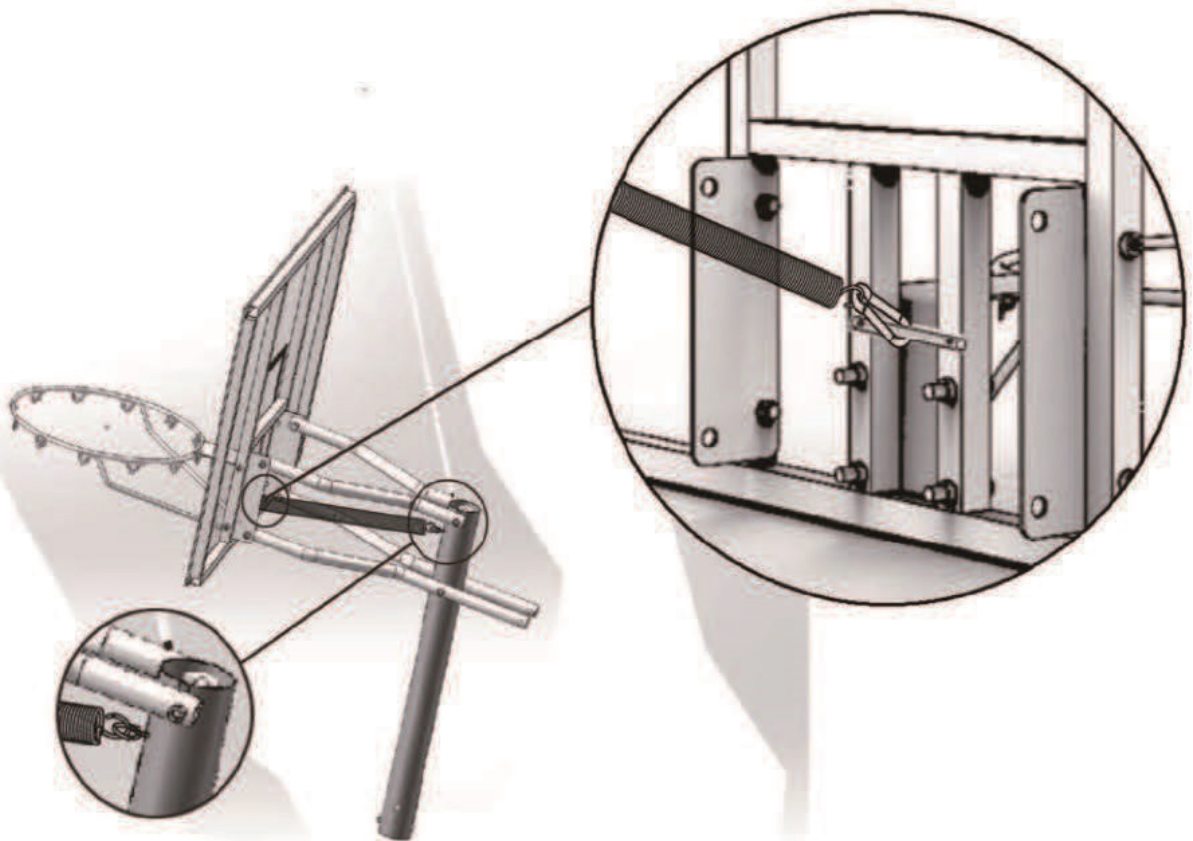
Step 11

HARDWARE NEEDED

31  QTY: 1

30  QTY: 1

DETAIL



Please adjust the backboard at this location (backboard vertical to the spring) as the above picture shows, then the big spring can be assembled easily.

Please do not tighten the screws before completing all installation.

Step 12

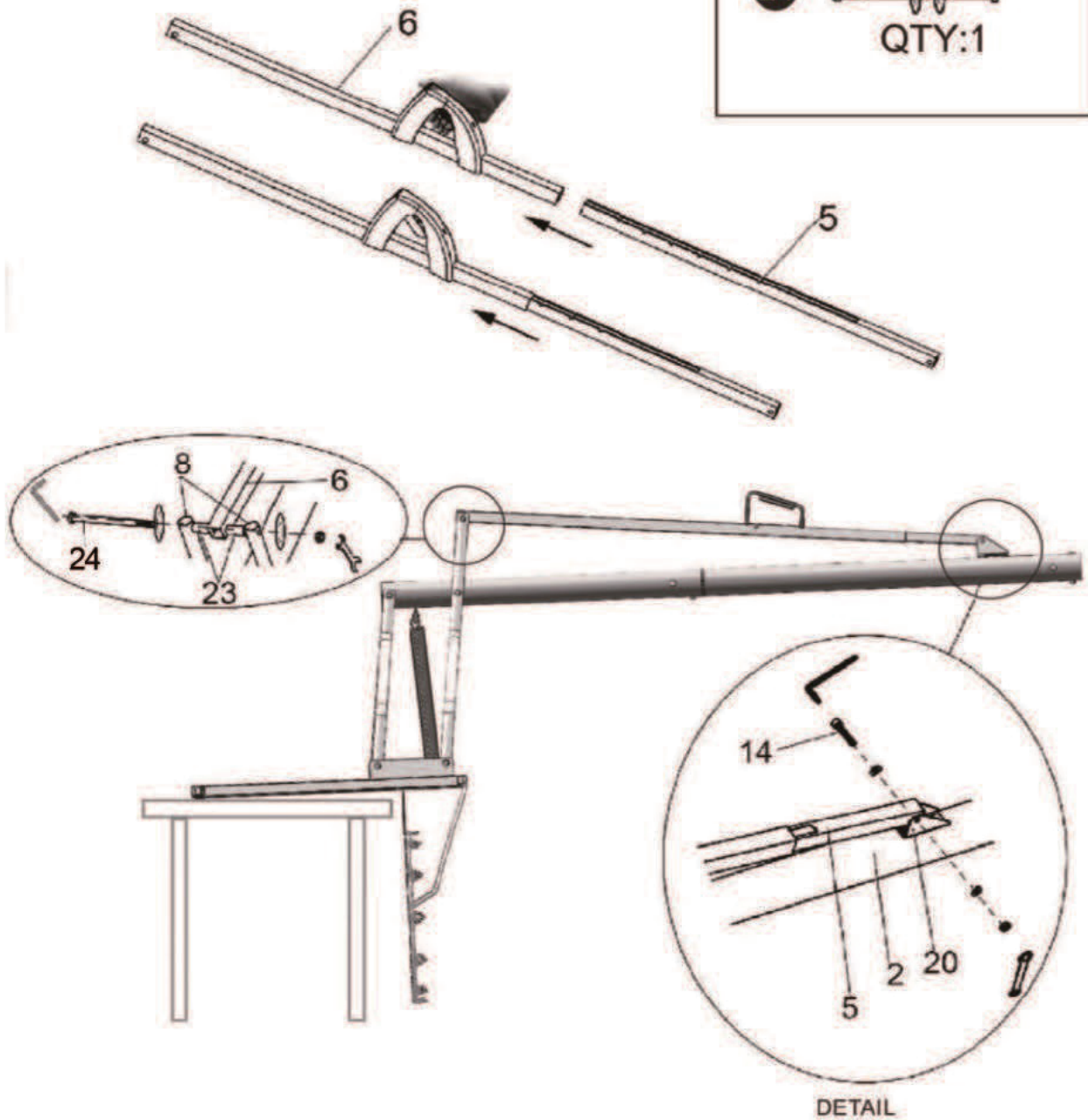
HARDWARE NEEDED

14 

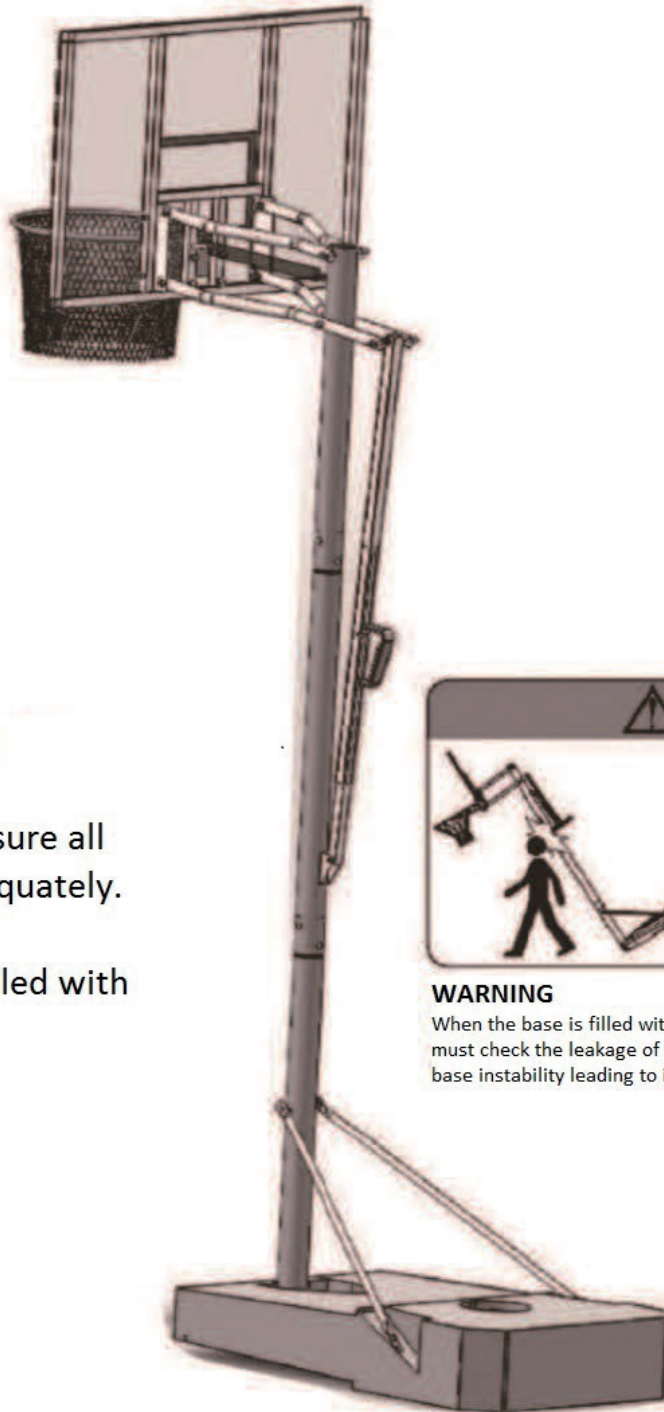
QTY:1

24 

QTY:1



Step 13



WARNING/ATTENTION

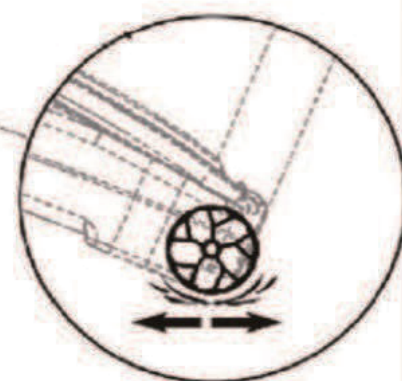
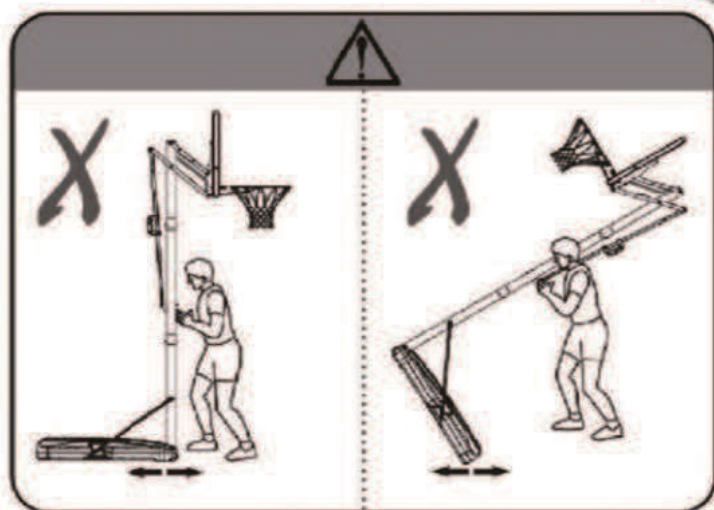
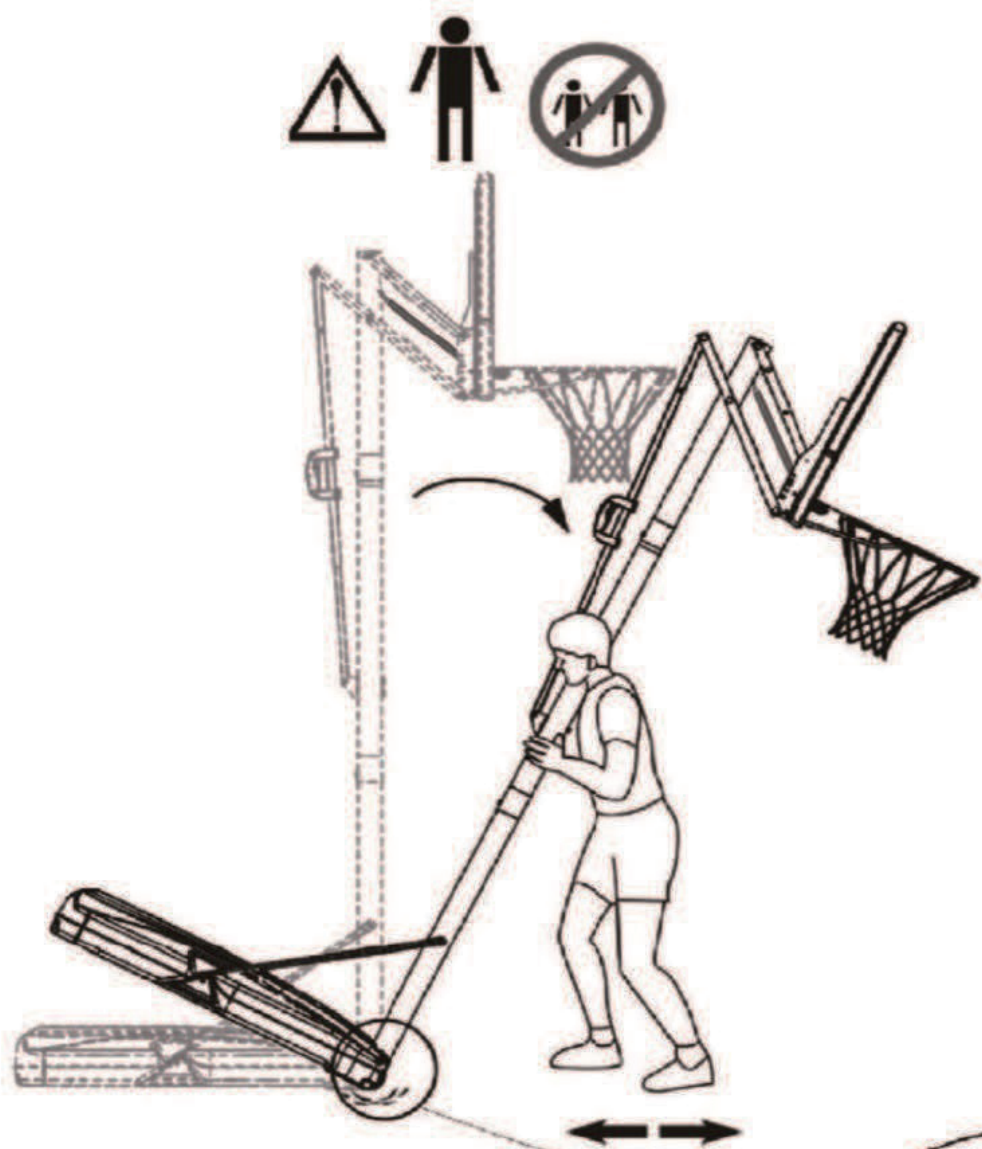
*Check over unit to make sure all hardware is tightened adequately.

*Ensure the base is fully filled with either sand or water.



WARNING

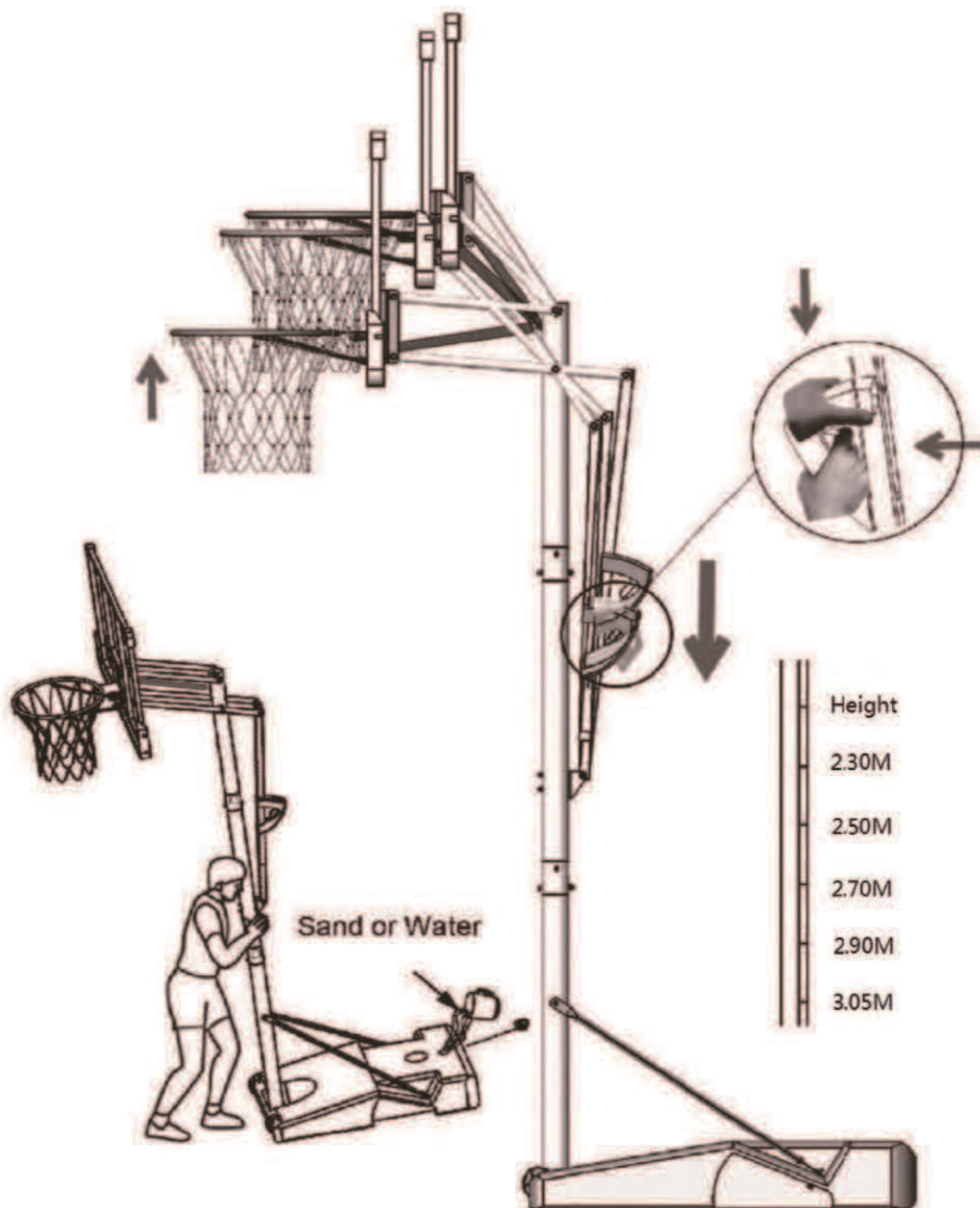
When the base is filled with water or sand, player must check the leakage of the base to prevent the base instability leading to injury.



WARNING

Moving of the basketball system must be carried out by adults.

Be sure to follow the correct way of moving, avoid above two incorrect ways.



POLE CARE AND SYSTEM MAINTENANCE

The life of your basketball system depends on many variables. The climate, exposure to corrosives such as salt, pesticides or herbicides, and excessive use or misuse can all contribute to pole failure, which may cause property damage and/or personal injury.

Check your basketball system frequently for loose hardware, excessive wear, and signs of corrosion. For safety reasons, and to prolong the life of your basketball system, you must take the following preventative measures.

1. Check all nuts and bolts. If any are loose, tighten them.
2. Check all parts for excessive wear and tear. If necessary, replace any parts that have been worn or damaged through usage. Contact our Customer Service Department for replacement parts.
3. Inspect the warning sticker on the pole. If it is ripped, faded, or illegible, call our Customer Service Department to request a replacement sticker.
4. Check all pole sections for visible rust or chipped or cracked paint. If either is present, do the following:
 - a) Use an emery cloth to completely remove any rust or chipped paint.
 - b) Clean the area with a damp cloth and allow it to dry.
 - c) Apply two coats of a rust preventative, high gloss enamel paint to the area. Allow the paint to dry between coats.

12 Month Warranty

Thank you for your purchase from Kmart.

Kmart Australia Ltd warrants your new product to be free from defects in materials and workmanship for the period stated above, from the date of purchase, provided that the product is used in accordance with accompanying recommendations or instructions where provided. This warranty is in addition to your rights under the Australian Consumer Law.

Kmart will provide you with your choice of a refund, repair or exchange (where possible) for this product if it becomes defective within the warranty period. Kmart will bear the reasonable expense of claiming the warranty. This warranty will no longer apply where the defect is a result of alteration, accident, misuse, abuse or neglect.

Please retain your receipt as proof of purchase and contact our Customer Service Centre on 1800 124 125 (Australia) or 0800 945 995 (New Zealand) or alternatively, via Customer Help at Kmart.com.au for any difficulties with your product. Warranty claims and claims for expense incurred in returning this product can be addressed to our Customer Service Centre at 690 Springvale Rd, Mulgrave Vic 3170.

Our goods come with guarantees that cannot be excluded under the Australian Consumer Law. You are entitled to a replacement or refund for a major failure and compensation for any other reasonably foreseeable loss or damage. You are also entitled to have the goods repaired or replaced if the goods fail to be of acceptable quality and the failure does not amount to a major failure.

For New Zealand customers, this warranty is in addition to statutory rights observed under New Zealand legislation.