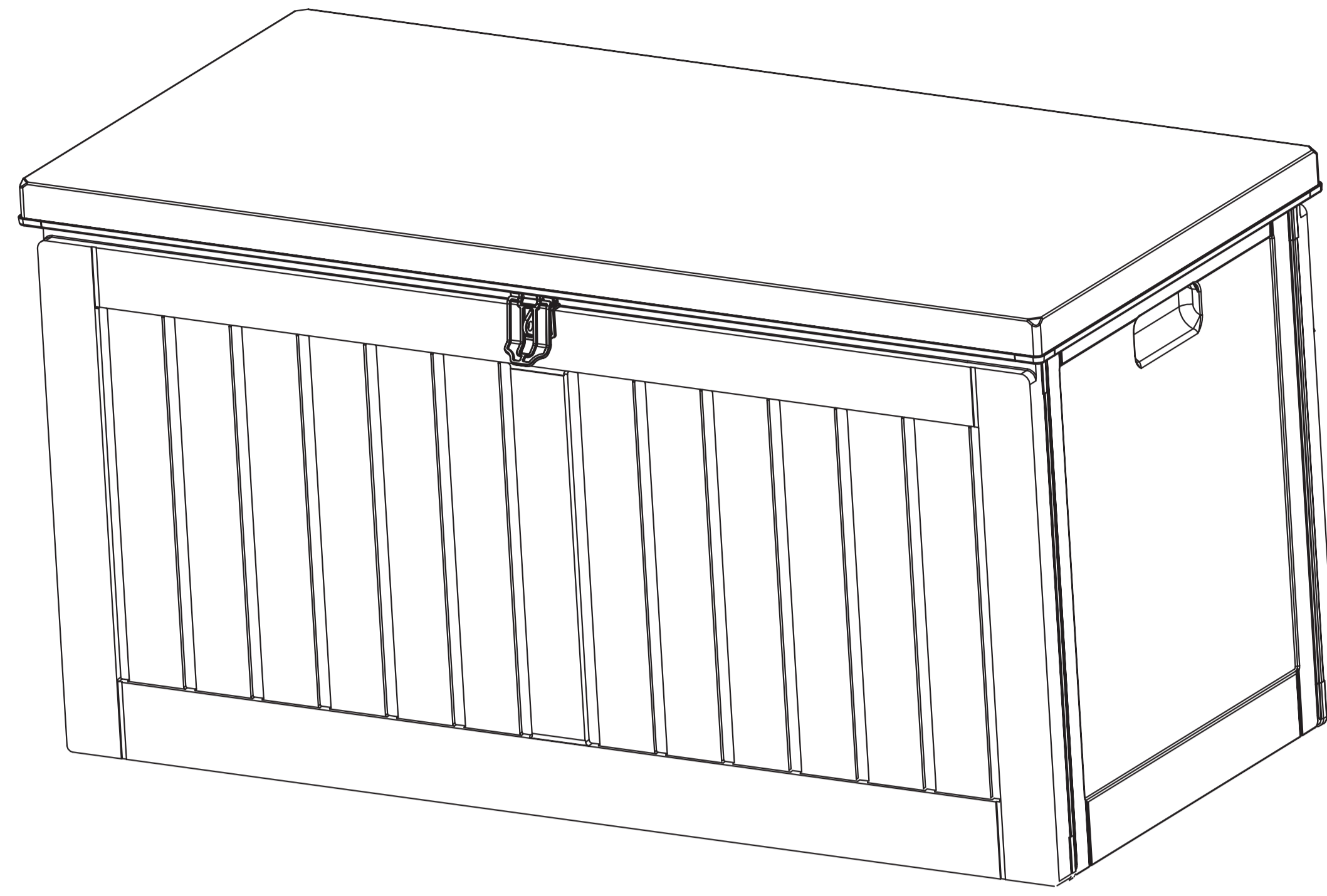


# ASSEMBLY INSTRUCTION

## 43170043-270LITRE OUTDOOR STORAGE BOX

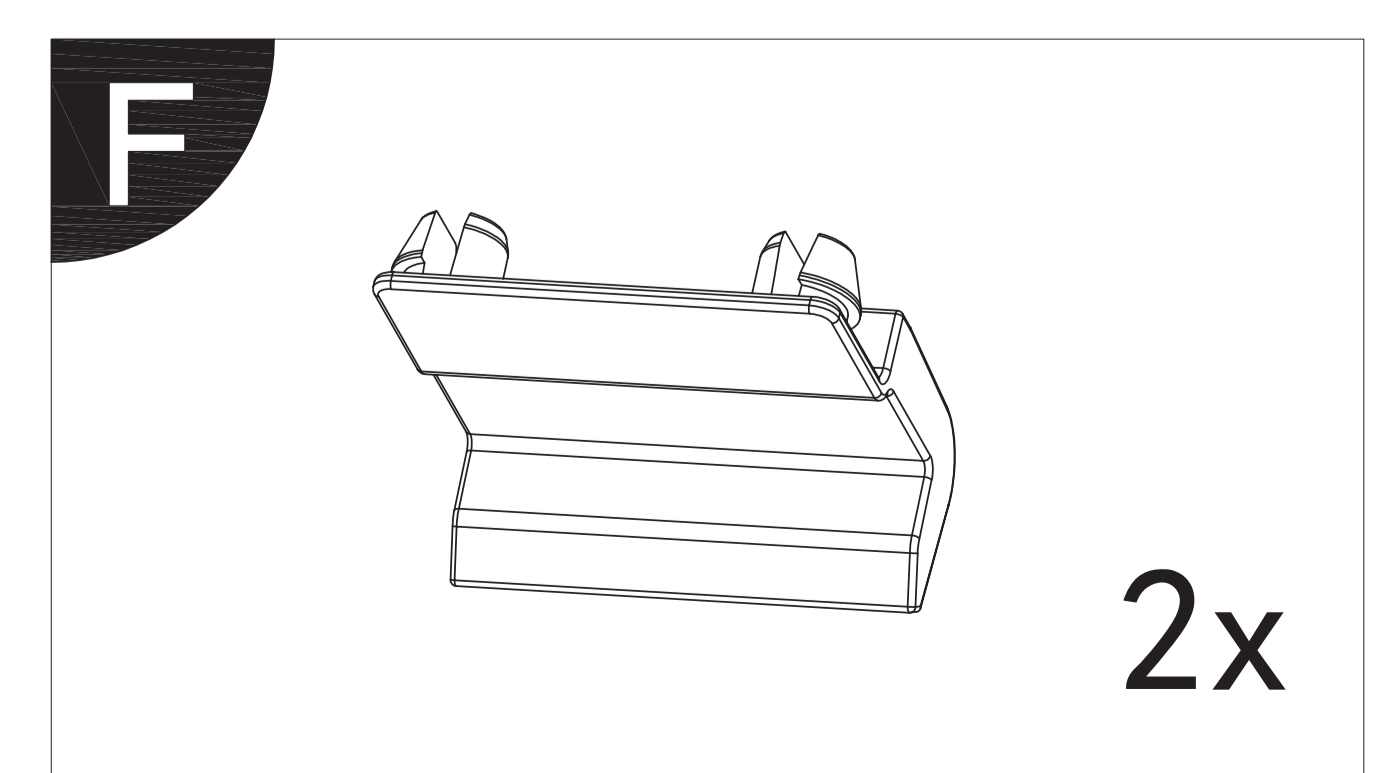
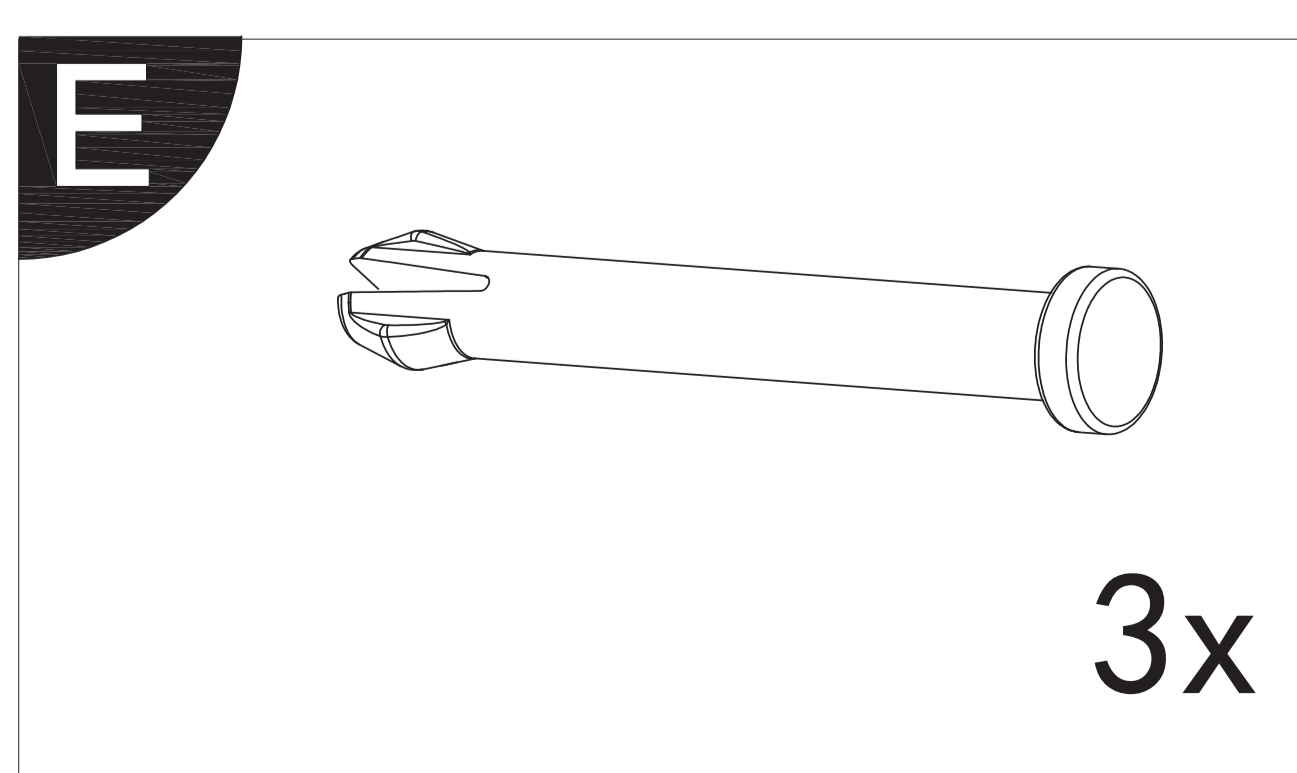
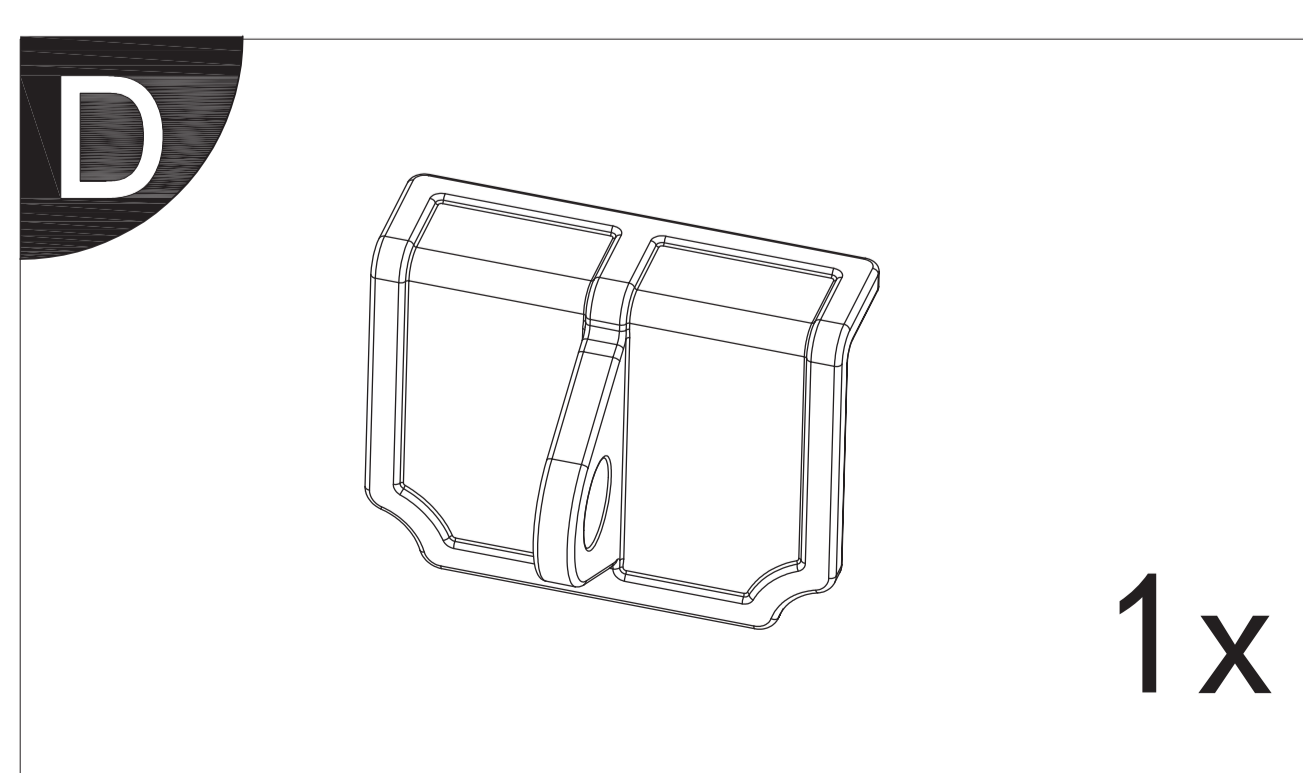
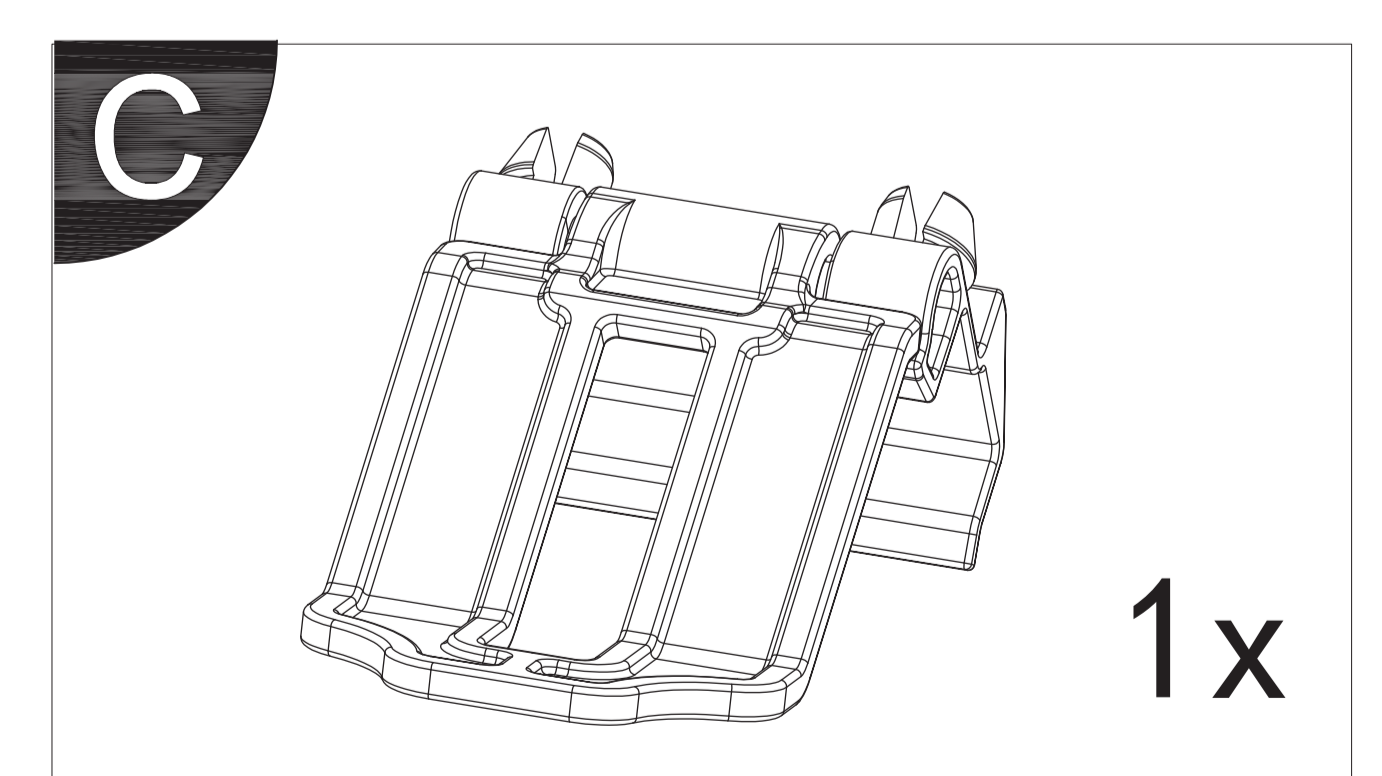
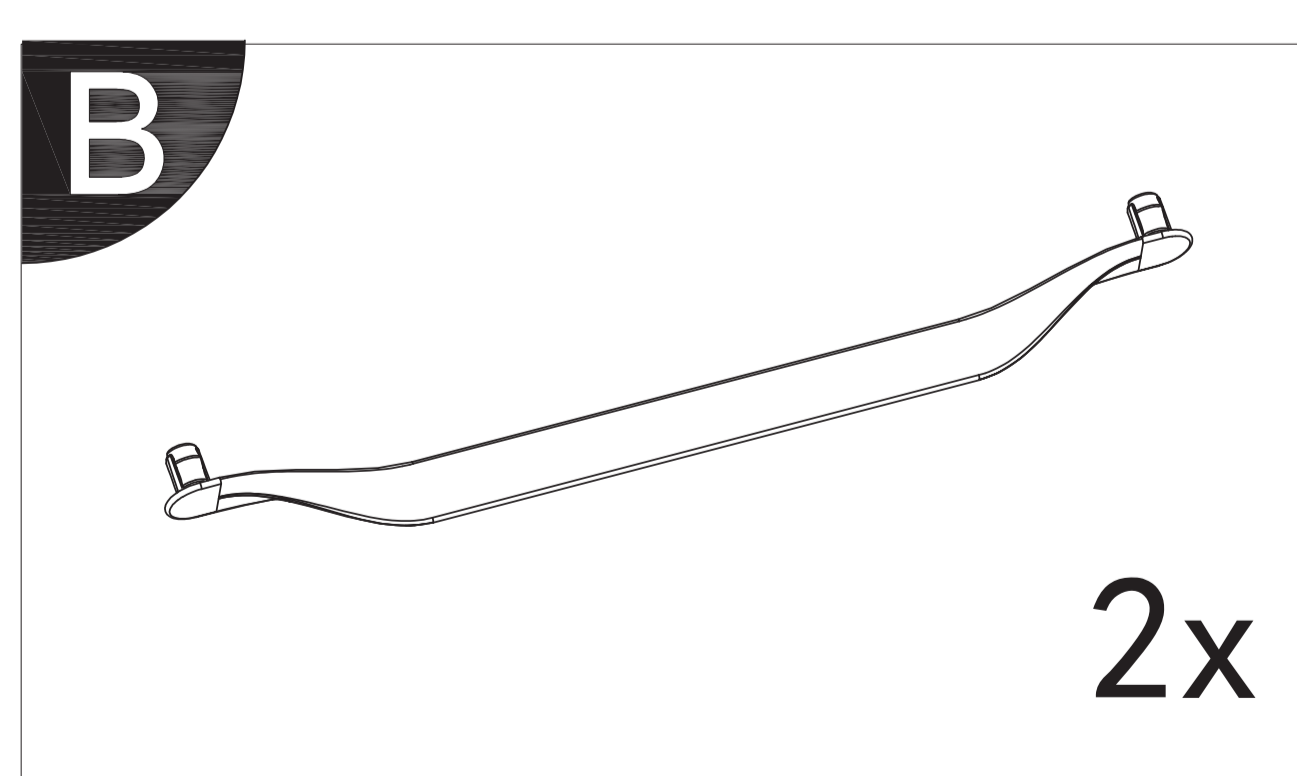
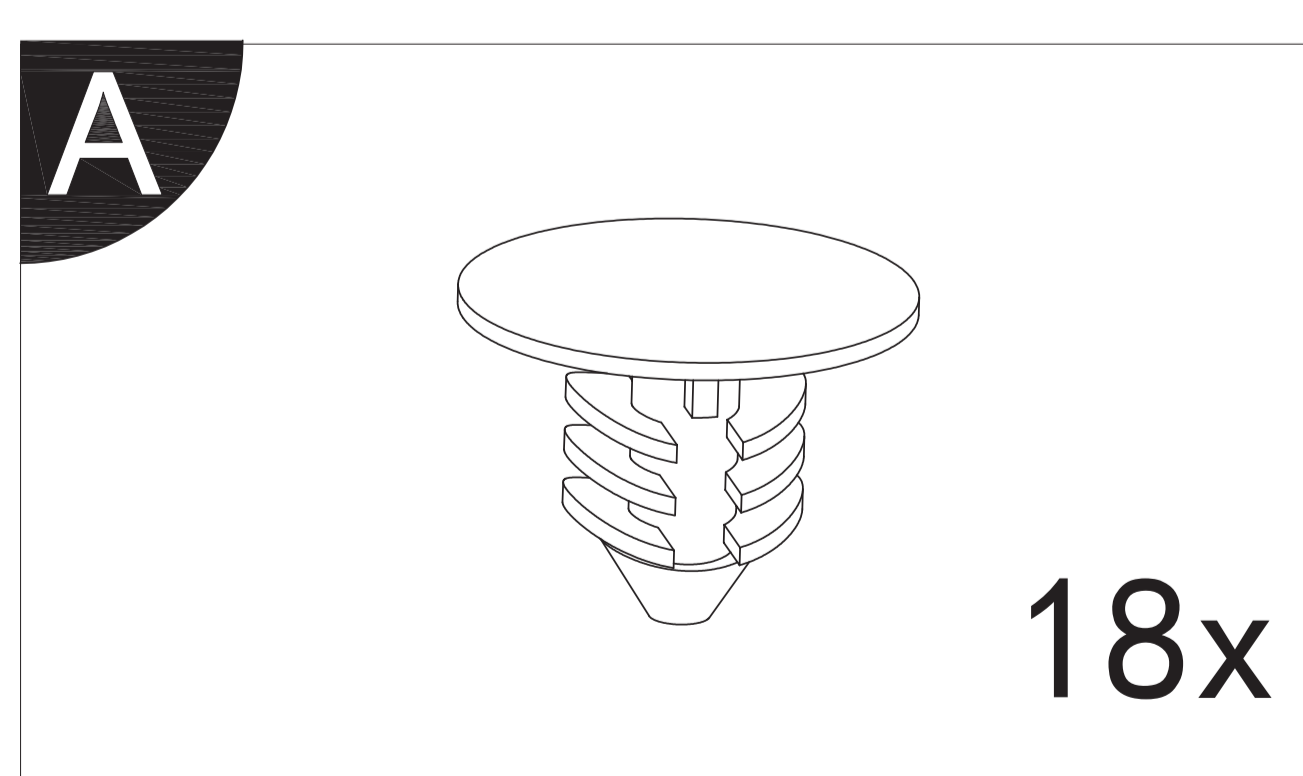
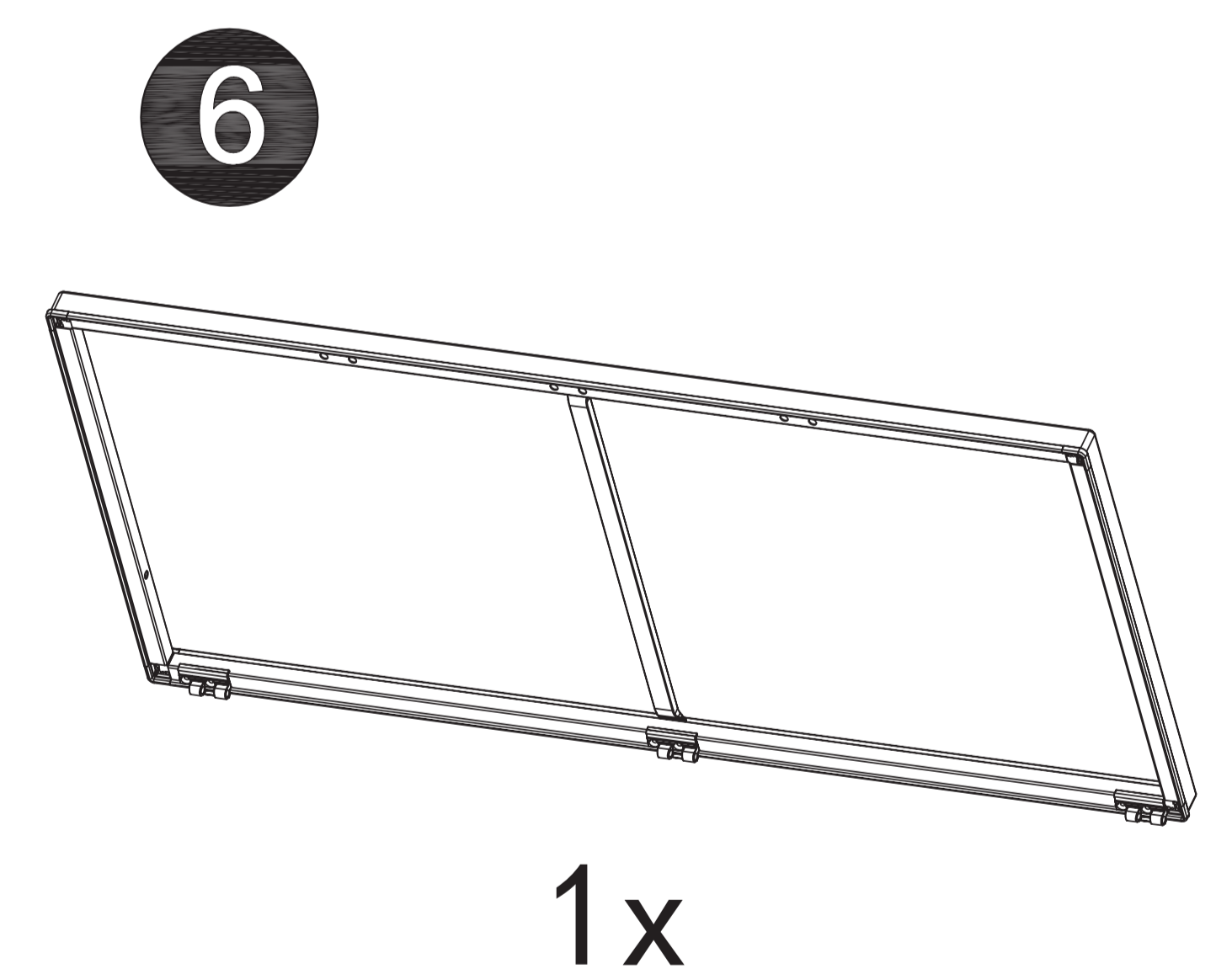
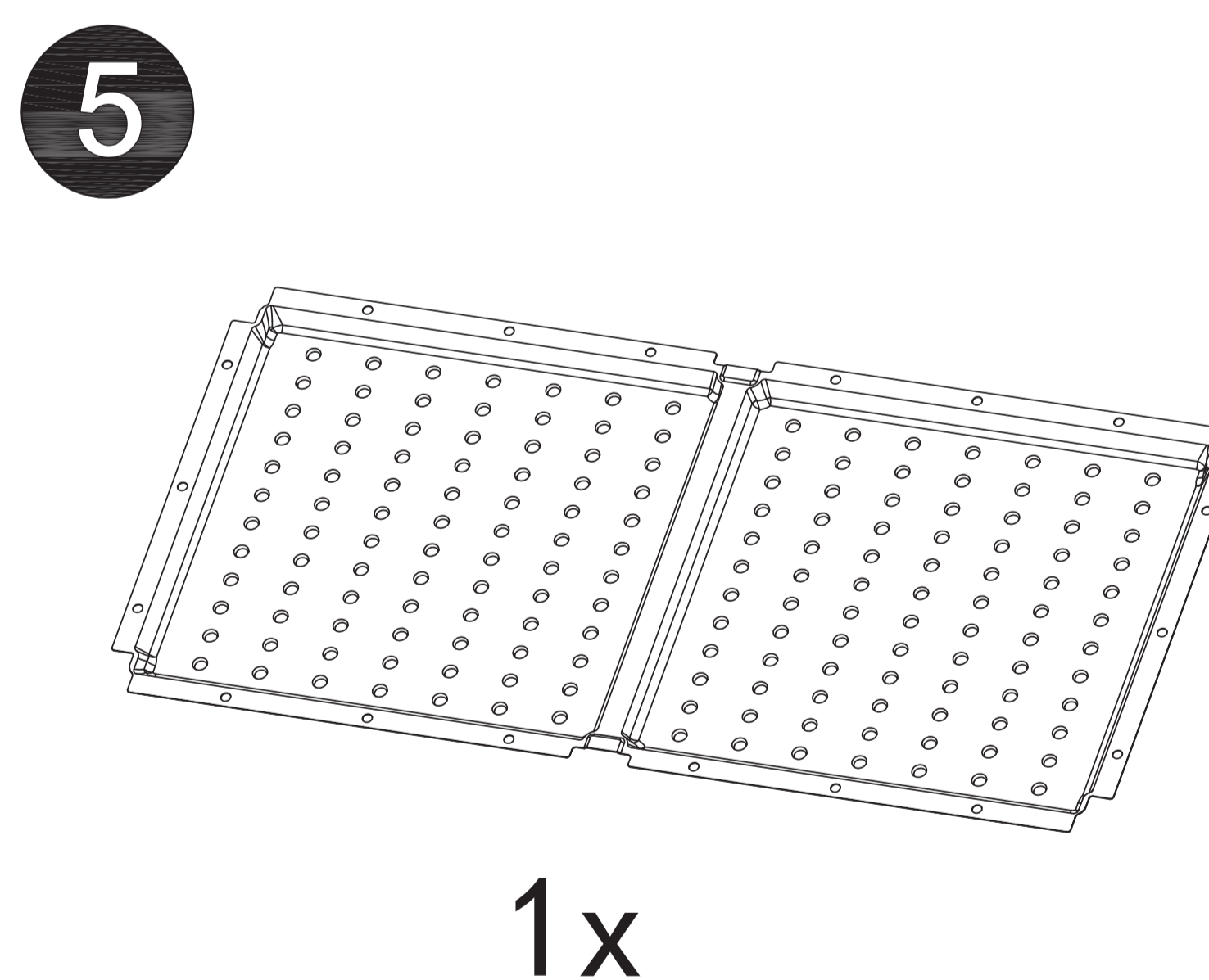
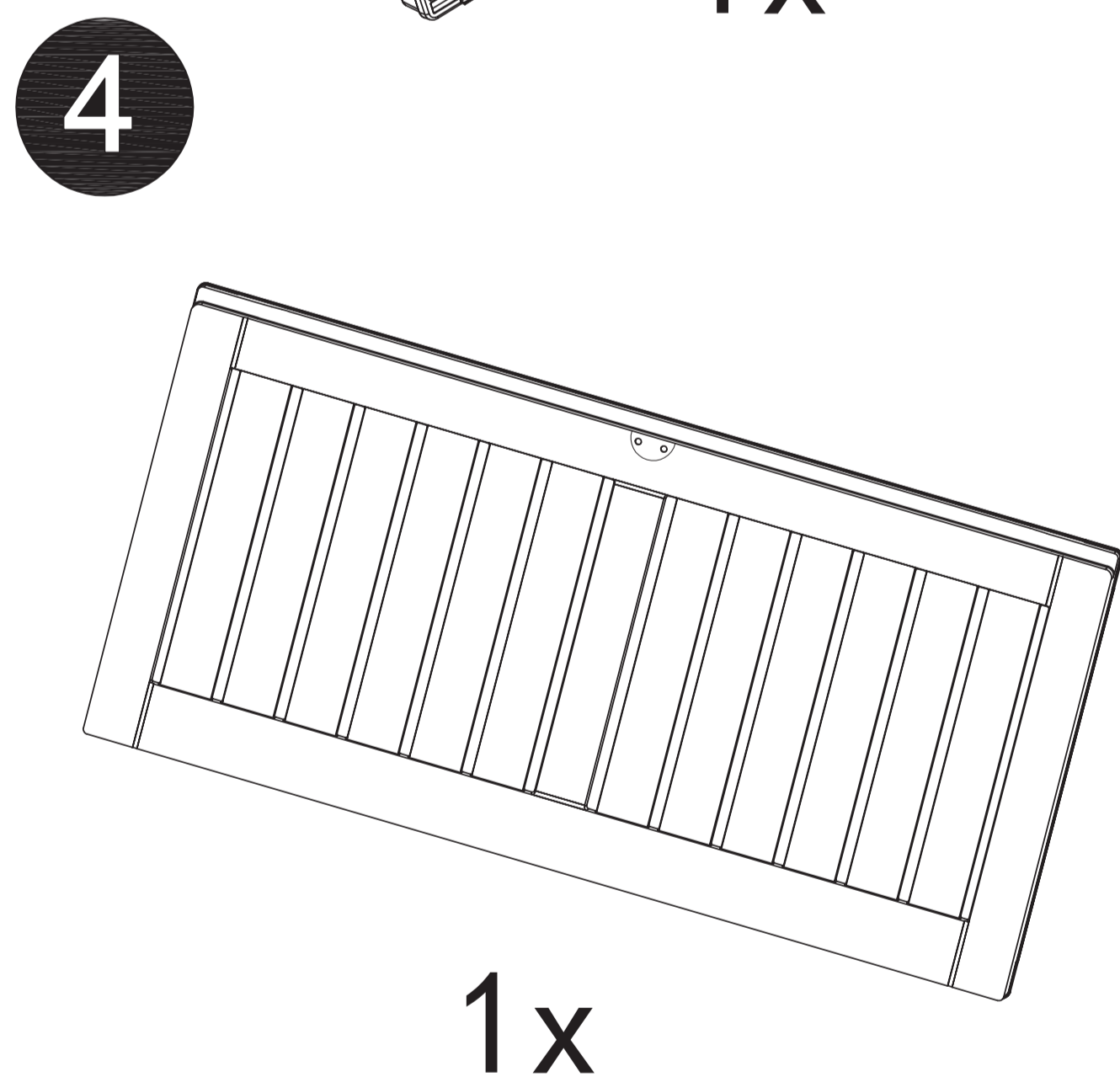
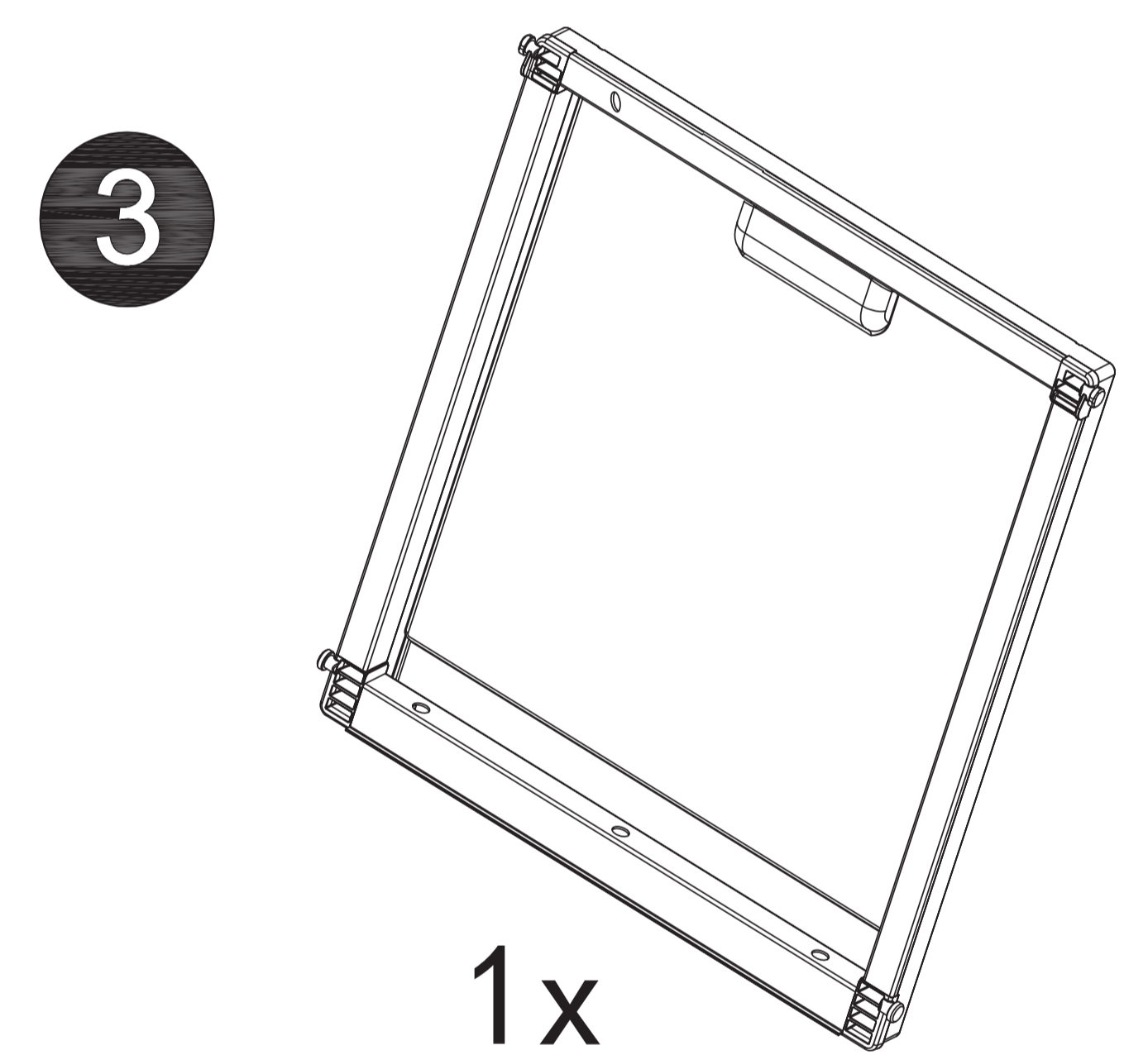
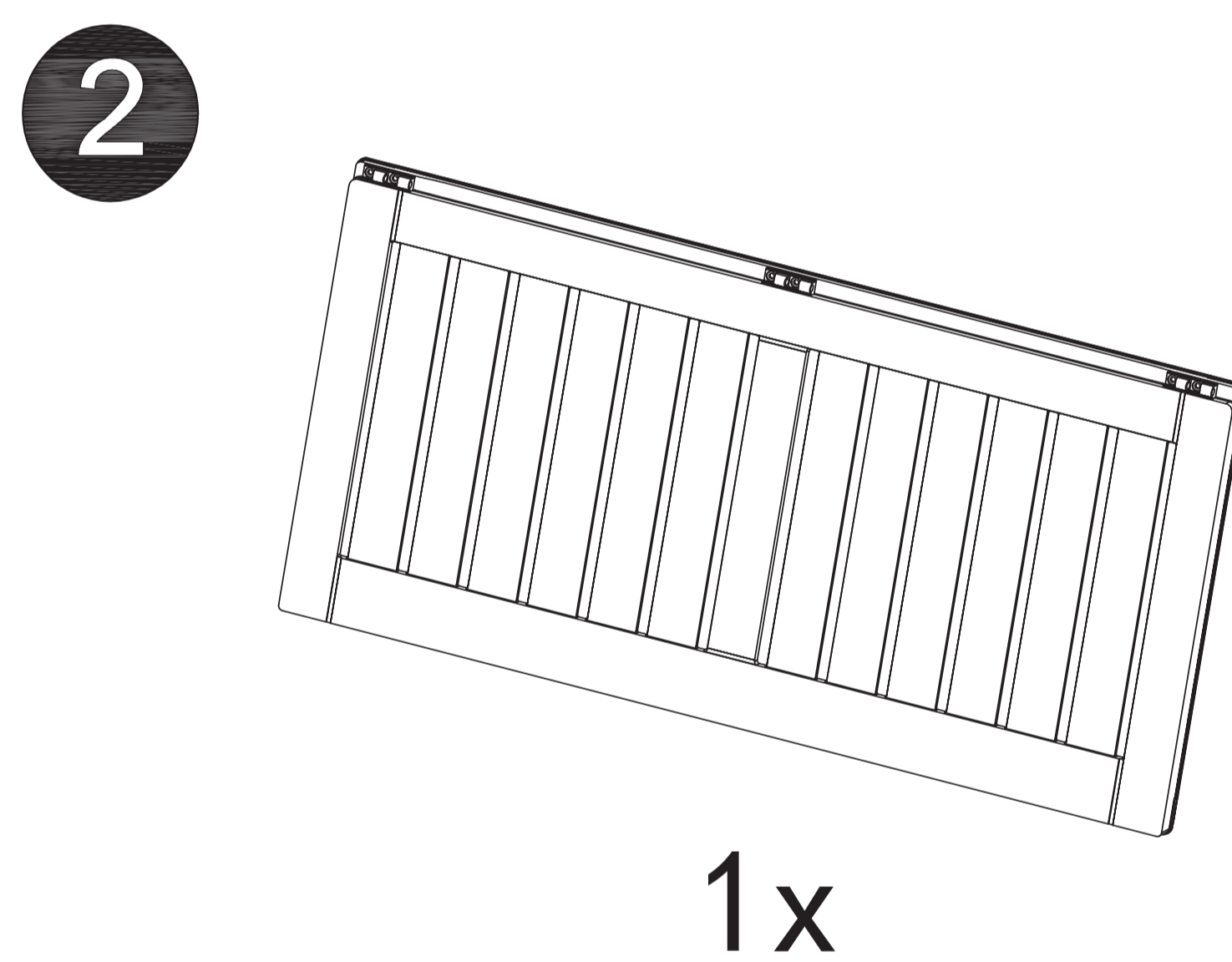
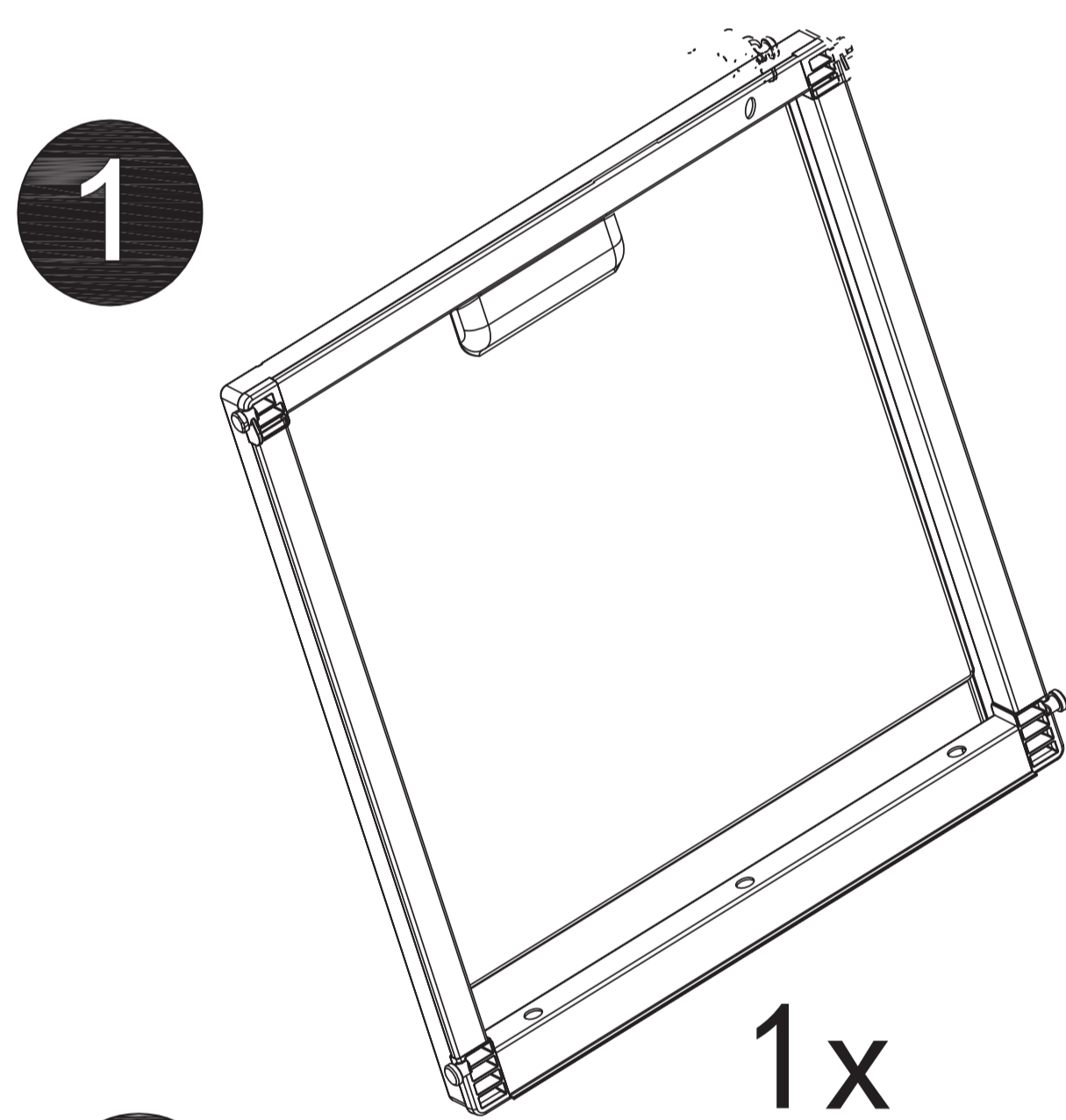


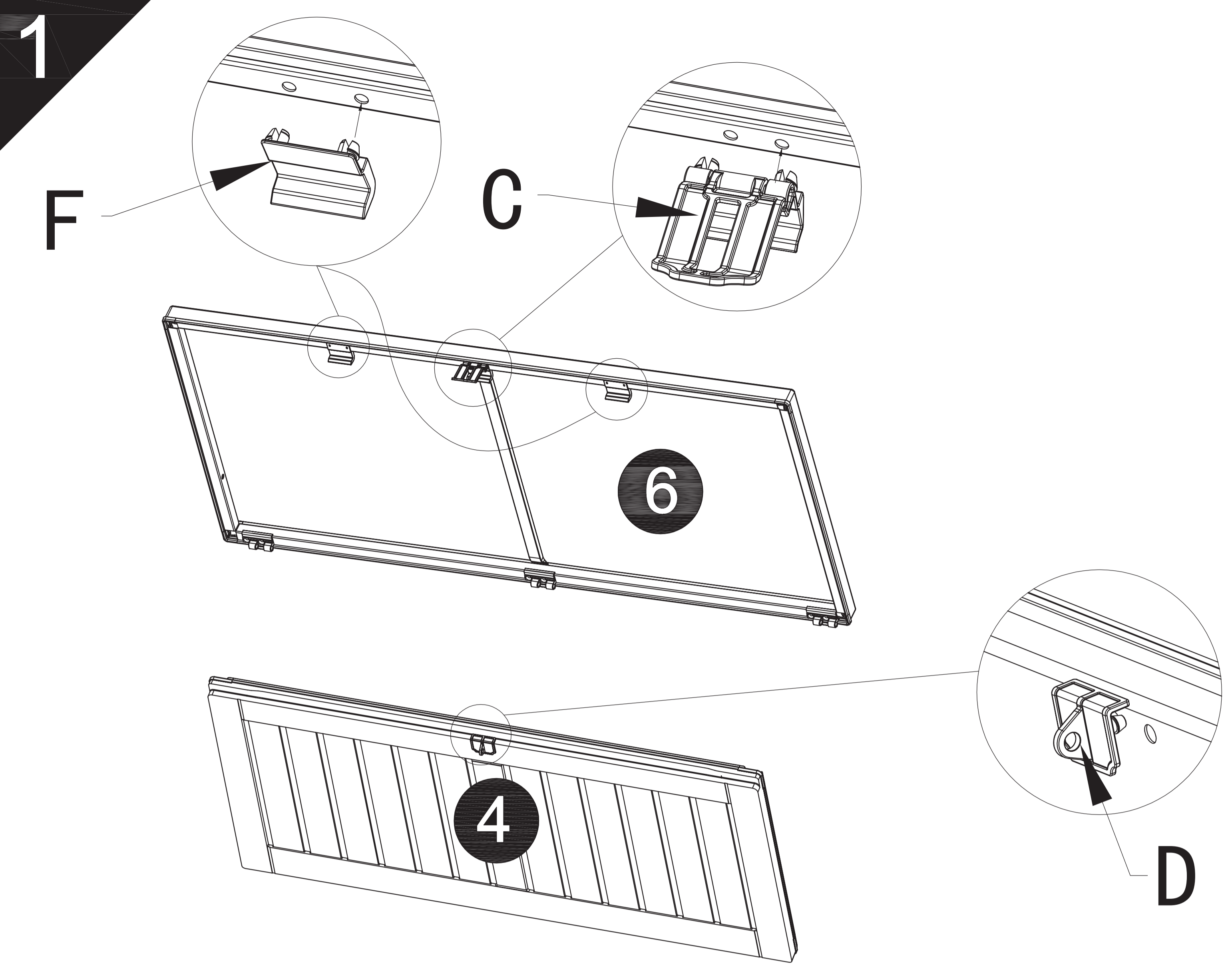
### CARE INSTRUCTION:

CHECK THE PRODUCT REGULARLY FOR DAMAGE AND DISPOSE OF IT IF NECESSARY. TRY OUT CLEANING AGENTS IN AN INCONSPICUOUS PLACE. ALWAYS REMOVE ANY DIRT IMMEDIATELY.

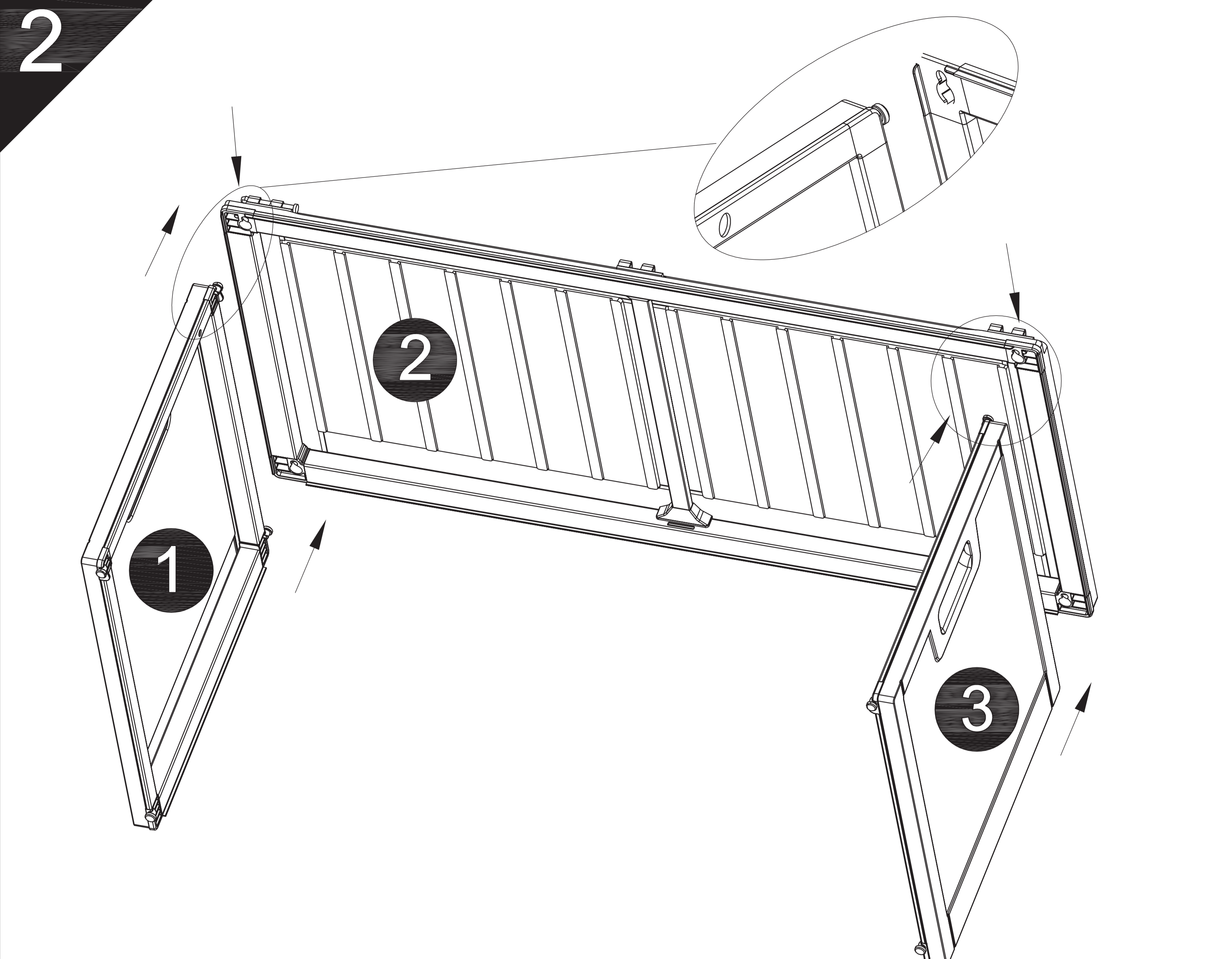
**WARNING:** DO NOT MOVE WHEN PRODUCTS ARE INSIDE. DO NOT STAND ON THE LID. DO NOT ALLOW CHILDREN TO STAY OR PLAY INSIDE THIS CONTAINER. DANGER OF ENTRAPMENT! DO NOT PLACE HOT OBJECTS SUCH AS POTS AND PANS ON PLASTIC FURNITURE. KEEP ALL SMALL PARTS FOR THIS PRODUCT AWAY FROM BABIES AND CHILDREN AS THEY POTENTIALLY POSE A SERIOUS CHOKING HAZARD. FAILURE TO FOLLOW THESE WARNINGS COULD RESULT IN SERIOUS INJURY.

**MAXIMUM SAFE LOADING WEIGHT: 60KG.**





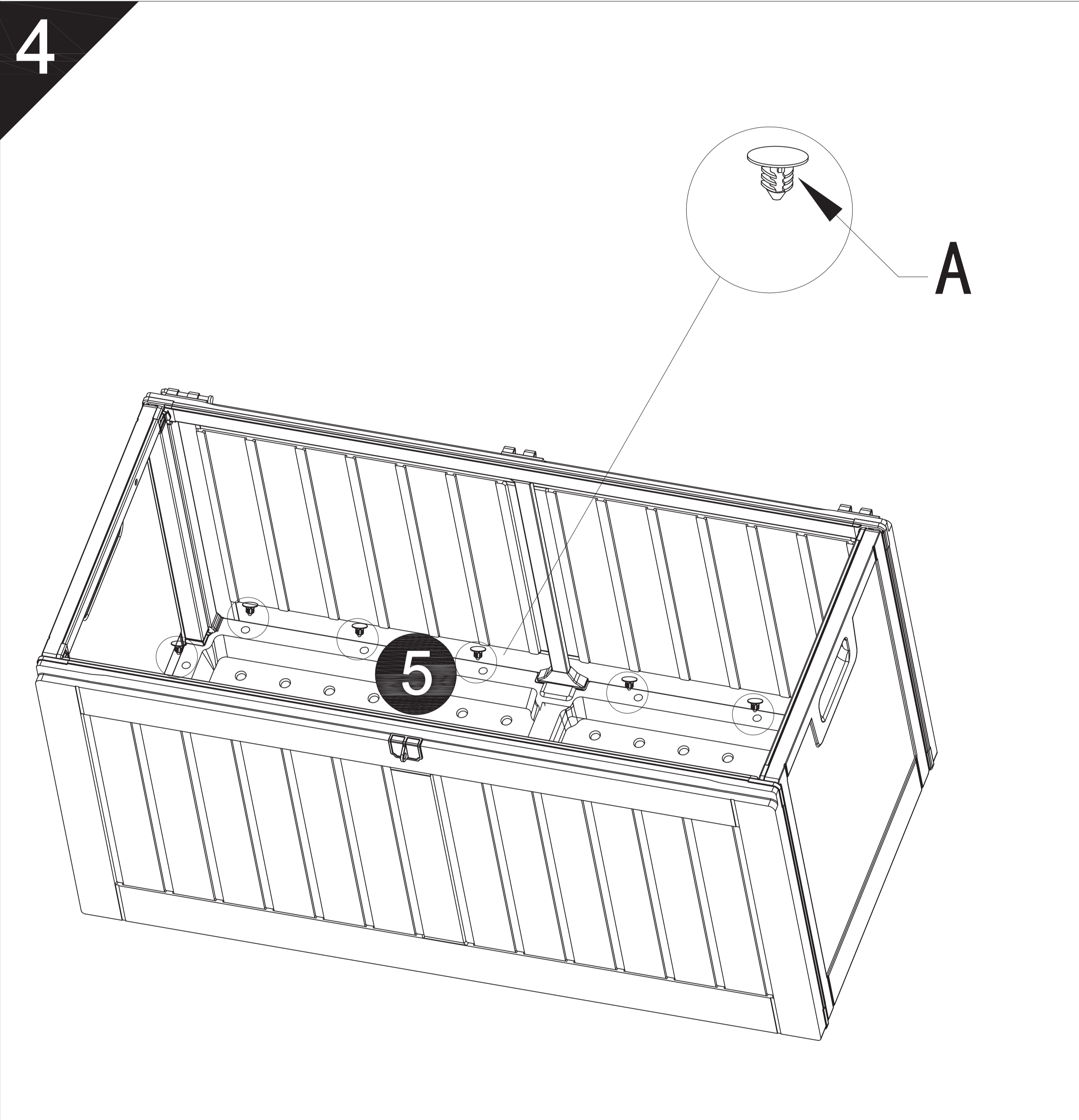
1. Push Part C & Part F into Board 6 and Push D into Board 4.



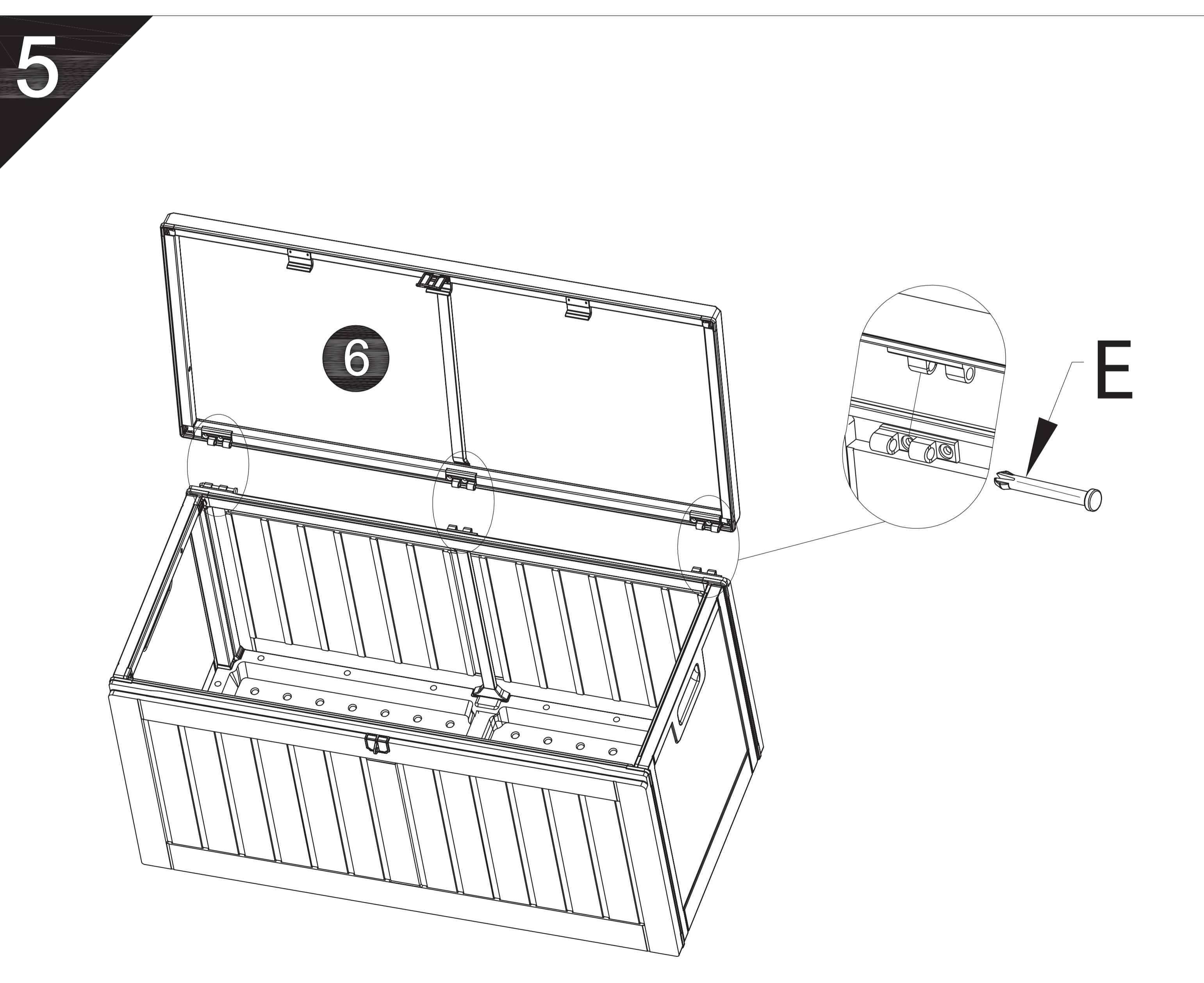
2. Insert Board 1 & Board 3 to the two ends of Board 2.



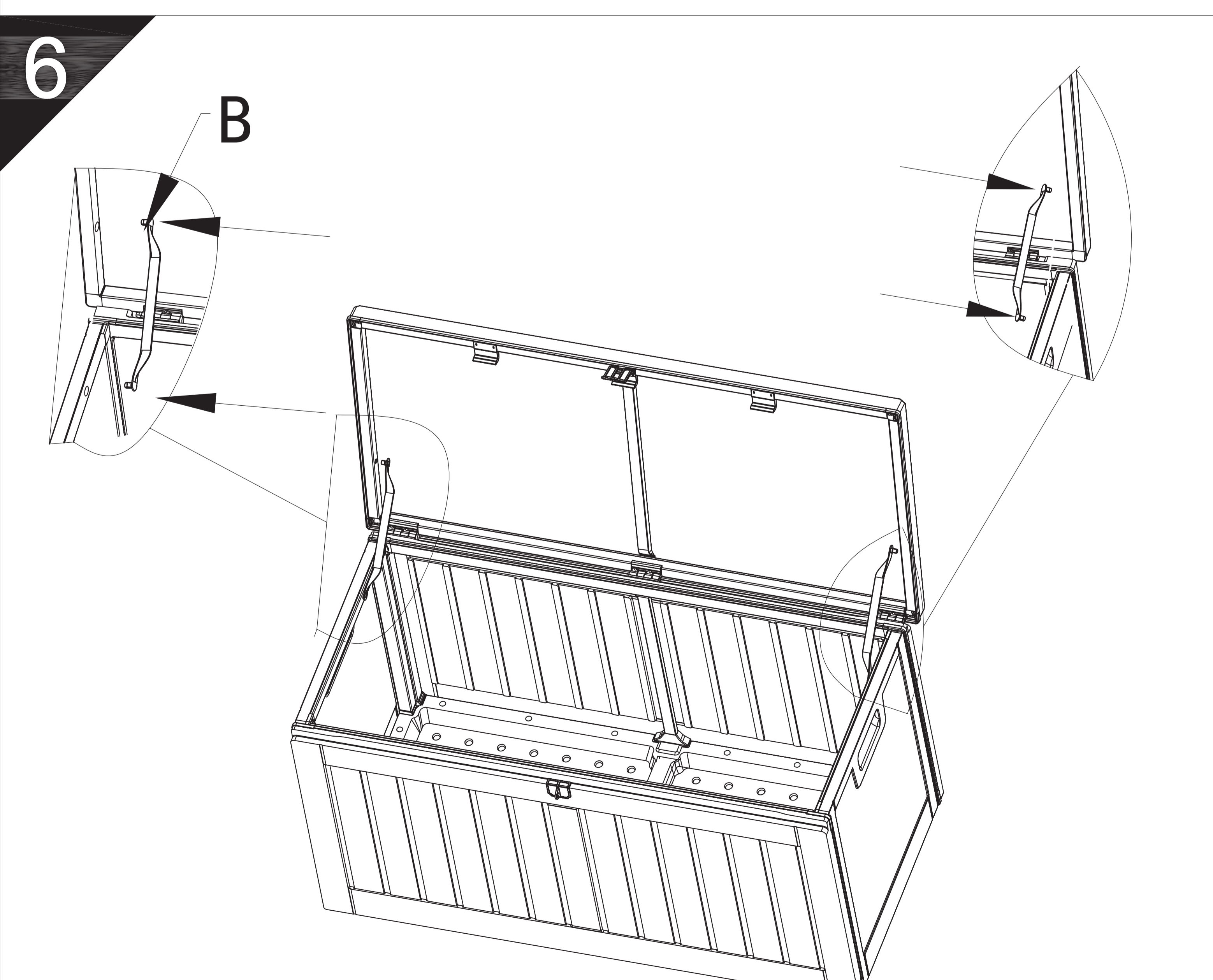
3. Connect Board 4 with Board 1 & Board 3.



4. Put Board 5 into the Bottom and Fix it with Part A.



5. Connect Board 6 with Board 2 with Part E.



6. Use Part B to Connect the Board 6 and Board 1 & 3.