

Disney  
Junior

MINNIE

© Disney

## 4.5ft Minnie Trampoline

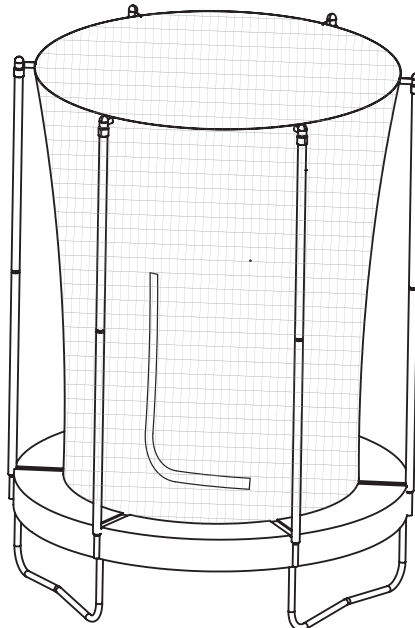
### Instruction Manual

includes:

- › safety pad, safety net, jumping mat
- › spring
- › top rail, leg, enclosure pole

3-6  
years  
TRAMPOLINE

40  
kg  
MAXIMUM  
WEIGHT



Drawings in the manual are for visual purposes only. Actual product may vary slightly. The manufacturer reserves the right to change any specification or feature without prior notice.

**IMPORTANT! PLEASE READ CAREFULLY BEFORE USE  
AND KEEP FOR FUTURE REFERENCE.**

# TABLE OF CONTENTS

1.	GENERAL SAFETY INSTRUCTIONS	2
1)	PURPOSE	2
2)	DANGER FOR CHILDREN	2
3)	RISK OF INJURIES	3
4)	PRODUCT DAMAGE	3
5)	ASSEMBLY ADVICE	3
2.	SAFETY INSTRUCTIONS FOR TRAMPOLINES	4
1)	WARNINGS	4
2)	FOR THE SUPERVISOR	5
3)	ACCIDENT CATEGORIES	6
4)	METHODS OF ACCIDENT PREVENTION	7
5)	SAFETY USE INSTRUCTIONS	7
6)	SITTING INSTRUCTIONS	7
7)	FOR TRAMPOLINES REQUIRING PADDING	7
3.	ASSEMBLY INSTRUCTIONS	8-17
4.	WARNINGS	18-19
5.	MAINTENANCE	20
6.	EXERCISE INSTRUCTIONS	21-22
7.	CLEANING	23
8.	DISPOSAL ADVICE	23
9.	PRODUCT WARRANTY	24
10.	CUSTOMER SERVICE	25

## GENERAL SAFETY INSTRUCTIONS

### 1. PURPOSE

The product is intended for home/domestic use only and is not suitable for professional or medical use.

### 2. DANGER FOR CHILDREN

- Children using the trampoline must be **3-6** years of age. This trampoline is designed and manufactured to provide you and your family with many years of fun and exercise, but for your benefit and safety, children using this trampoline must be adequately informed of all warnings and safety instructions.
- Do not leave children unsupervised near this product.
- Be aware that the packaging material is not suitable for children. There is danger of suffocation!

### 3. RISK OF INJURIES

- Do not use the product if it is damaged or defective. If this is the case, please consult a qualified technician.
- Check the product before each use. Defective parts must be changed immediately as they can impair the function and the safety of the product.
- Make sure that no more than one person is using the product at the same time.
- Use the product only on even and non-slip surfaces. Never use it near water and keep sufficient space around it to increase security.
- Beware of moving parts, which could catch your arms and legs. Do not stick any objects in the product's openings.

### 4. ATTENTION - PRODUCT DAMAGE

- Please do not alter the product. Only use original spare parts. Qualified technicians should only carry out repairs – improper repairs can lead to danger for the user. Use this product only as described in this manual.
- Protect the product against water, humidity high temperature .

### 5. ASSEMBLY ADVICE

- The assembly of the product must be done carefully and by two adults . If in any doubt, ask a technically qualified person. It is important that children are not involved in the assembly of the trampoline.
- Before you start with the assembly, read the instructions carefully.
- Remove all packaging materials and lay down all parts on a flat and open space. This gives you an overview and simplifies the assembly procedure.
- Now, check with the parts list that no parts are missing. Dispose of the packaging material when assembly is complete.
- Create a danger free environment; for example, do not leave tools laying around the workspace. Store the packaging material in a way that cannot cause any danger. Foil and plastic bags are dangerous for children (danger of suffocation)!
- After installing the product according to the instruction manual, please make sure that all screws, bolts and nuts are correctly installed and tightened and that all joints are tightly fixed.
- A free space of at least 8m is necessary above the trampoline. An appropriate free space must be kept between the trampoline and possible sources of danger, such as electric cables, tree branches, playing devices, swimming pools and fences.
- The trampoline must be set up properly before use.
- Never set up the trampoline in heavy rain, wind or storm conditions. It is recommended that the trampoline be taken away and stored in bad weather to prevent damage.
- The metal frame of the trampoline will conduct electricity. Lightning, extension cords and all electrical equipment must never be allowed to come in contact with the trampoline.
- The trampoline must always be used in a well-lit area.
- Nothing must be placed under the trampoline.
- The trampoline must not be used in the vicinity of other leisure devices and constructions.
- When assembling or disassembling, please use gloves to protect your hands.

# SAFETY INSTRUCTIONS FOR YOUR TRAMPOLINE

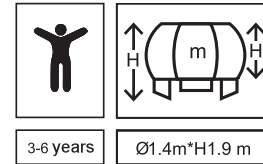
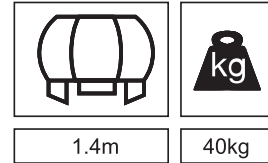
## WARNINGS!



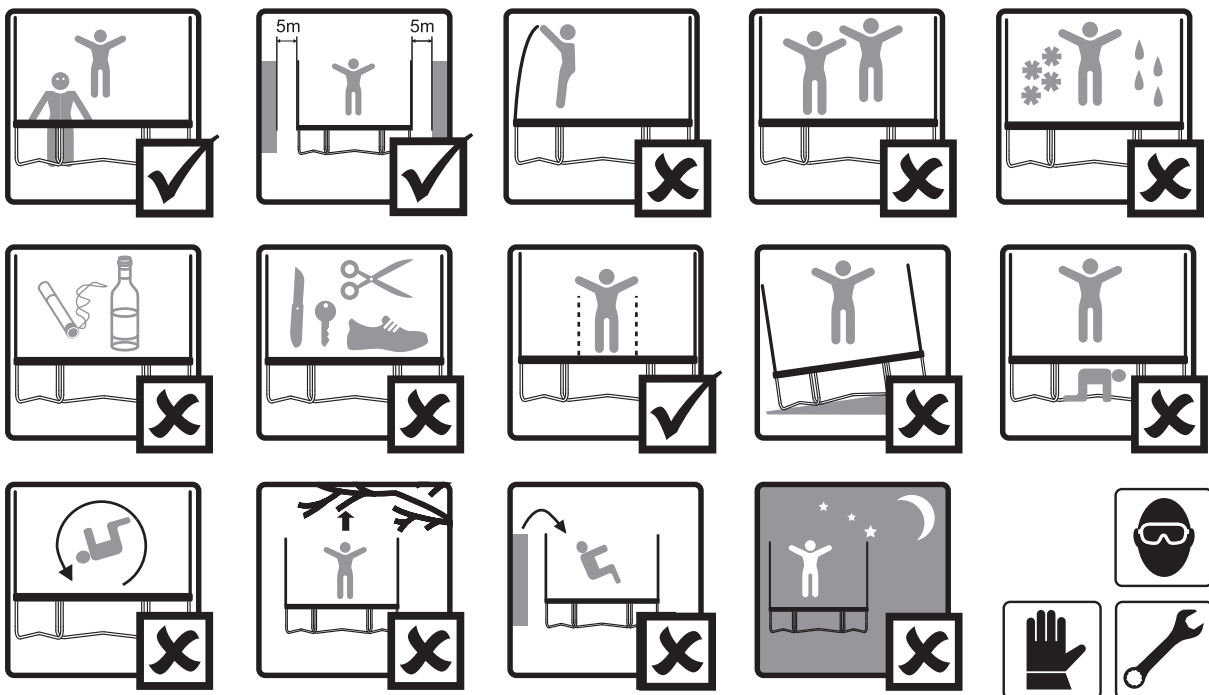
Do not land on head or neck.  
Do not attempt or allow somersaults.  
Landing on your head or neck can cause serious injury, paralysis, or death, even when landing in the middle of the mat.  
If an enclosure is fitted, do not pull top of the net.  
Ensure adult supervision is provided at all times.



Only one person at a time on the trampoline.  
Do not allow more than one person on the trampoline. Use by more than one person at the same time increases the chance of injury.  
Misuse and abuse of this trampoline can cause serious injuries.  
This trampoline is recommended for children 3-6 years of age.



## Safety instructions



- Adult supervision required at all times. Only for domestic use. Outdoor use only. One user at a time, collision hazard. Always close the net opening before jumping. Jump without shoes. Do not use the mat when it is wet. Empty pockets and hands before jumping. Always jump in the middle of the mat. Do not eat while jumping. Do not exit the trampoline by jumping off it. No somersaults. Limit the time of continuous usage (make regular stops). Do not use in strong wind conditions and secure the trampoline. In some circumstances it may be necessary to move the trampoline to a sheltered area. Trampoline anchor kits are available to purchase. The trampoline shall be assembled by an adult in accordance with the assembly instructions and thereafter checked before the first use. Not suitable for children under 36 months-small parts, choking hazard-fall hazard. Please do not make any modifications to the product, it may result in an injury or hazard. Do not overtighten nuts and screws as this may cause them to shear and potentially cause structural failure. Please keep animals at a safe distance from this product.
- Do not use the trampoline without supervision, regardless of age and experience.
- The safety instructions of the trampoline should always be considered and followed. During the use of the trampoline, there is a heavy danger of injury including permanent injuries such as paralysis, or even death.
- Even landing on the trampoline can lead to injuries particularly to the back, neck or head. Somersaults must be avoided. In any case, only one person should use the trampoline at a time.

# SAFETY INSTRUCTIONS FOR YOUR TRAMPOLINE

- The importer, store, manufacturer nor supplier will be responsible or liable in any form for direct, indirect or special damages caused during the use or in connection with the product.
- This also applies to financial losses by theft, property loss, loss of earnings/services and profit, loss of satisfaction in the device, costs of the installation, disposal, damage by influences of the weather and environment as well as any other kinds of damages.
- Recognizable production defects are announced immediately by the dealer or manufacturer/ importer and shall be adjusted immediately for further use. The buyer/ operator of the trampoline has to examine the device regularly for wear or damage.
- Do not wear clothes with hooks or parts when jumping on the trampoline, in order to avoid hooks getting caught.
- Only set up the trampoline on flat ground.
- Strong winds can blow the trampoline away. If strong winds are predicted, the trampoline must be moved to a protected place, and taken apart.
- Try to avoid moving the assembled trampoline, because it could bend during transportation. Should it be necessary to move the trampoline, please consider the following:
  - 1.) At least two adults must be evenly spaced around the frame to lift the trampoline off the ground.
  - 2.) The trampoline must be carried horizontally
  - 3.) Be careful while moving, because the frame could bend. If this happens, two adults can pull the trampoline into shape.
- Trampolines are jumping devices, enabling the user to jump extremely high with many different movements. Hitting the frame, cushioning or incorrect landing on the trampoline can lead to injuries.
- All users must read the recommendations of the manufacturer themselves to ensure they use the device correctly.
- Users should be familiar with the assembly manual. This manual contains assembly guidance; selected precautionary measures as well as recommendations for servicing and maintenance of the trampoline, in order to ensure a secured and fun use of the trampoline.
- It is the responsibility of the owner or the supervisor to guarantee that all users of the trampoline are informed sufficiently of all warning references and safety instructions.
- Check that all spring-loaded (pit pin) joints are still intact and cannot become dislodged during play.
- Check all coverings and sharp edges and replace when required.
- In certain areas during the winter period, snow and low temperatures can damage the trampoline. Remove any snow and store the mat and the enclosure in a covered area.
- Replace the net and /or enclosure after 1 year of use.

## FOR THE SUPERVISOR:

The supervisor's role is to make sure the users know all the safety rules as well as learn the basic, fundamental bounces. They need to enforce all the safety rules and warnings in the manual, frame and labels. When a supervisor is not available, the trampoline may be disassembled or covered to limit access.

- Implement all safety rules and make yourselves familiar with the information in the user manual.
- All users of the trampoline need a supervisor, the user of the trampoline must be aged 3-6 years.
- This trampoline is not recommended for children under 3 years of age.
- The trampoline can only be used if the jumping mat is clean and dry. Worn or damaged jumping mats should immediately be replaced.

# SAFETY INSTRUCTIONS FOR YOUR TRAMPOLINE

- The importer, store, manufacturer nor supplier will be responsible or liable in any form for direct, indirect or special damages caused during the use or in connection with the product.
- This also applies to financial losses by theft, property loss, loss of earnings/services and profit, loss of satisfaction in the device, costs of the installation, disposal, damage by influences of the weather and environment as well as any other kinds of damages.
- Recognizable production defects are announced immediately by the dealer or manufacturer/ importer and shall be adjusted immediately for further use. The buyer/ operator of the trampoline has to examine the device regularly for wear or damage.
- Do not wear clothes with hooks or parts when jumping on the trampoline, in order to avoid hooks getting caught.
- Only set up the trampoline on flat ground.
- Strong winds can blow the trampoline away. If strong winds are predicted, the trampoline must be moved to a protected place, and taken apart.
- Try to avoid moving the assembled trampoline, because it could bend during transportation. Should it be necessary to move the trampoline, please consider the following:
  - 1.) At least two adults must be evenly spaced around the frame to lift the trampoline off the ground.
  - 2.) The trampoline must be carried horizontally
  - 3.) Be careful while moving, because the frame could bend. If this happens, two adults can pull the trampoline into shape.
- Trampolines are jumping devices, enabling the user to jump extremely high with many different movements. Hitting the frame, cushioning or incorrect landing on the trampoline can lead to injuries.
- All users must read the recommendations of the manufacturer themselves to ensure they use the device correctly.
- Users should be familiar with the assembly manual. This manual contains assembly guidance; selected precautionary measures as well as recommendations for servicing and maintenance of the trampoline, in order to ensure a secured and fun use of the trampoline.
- It is the responsibility of the owner or the supervisor to guarantee that all users of the trampoline are informed sufficiently of all warning references and safety instructions.
- Check that all spring-loaded (pit pin) joints are still intact and cannot become dislodged during play.
- Check all coverings and sharp edges and replace when required.
- In certain areas during the winter period, snow and low temperatures can damage the trampoline. Remove any the snow and store the mat and the enclosure in a covered area.
- Replace the net and /or enclosure after 1 year of use.

Please contact JCA Collective for any spare part enquiries.  
Phone Number: +61 423 259 751 Office Hours: Monday to Friday 9am to 5pm  
or Email: [service@jacollective.com](mailto:service@jacollective.com) for all after sales service and replacement parts.

## FOR THE SUPERVISOR:

The supervisor's role is to make sure the users know all the safety rules as well as learn the basic, fundamental bounces. They need to enforce all the safety rules and warnings in the manual, frame and labels. When a supervisor is not available, the trampoline may be disassembled or covered to limit access.

- Implement all safety rules and make yourselves familiar with the information in the user manual.
- All users of the trampoline need a supervisor, the user of the trampoline must be aged 3-6 years.
- This trampoline is not recommended for children under 3 years of age.
- The trampoline can only be used if the jumping mat is clean and dry. Worn or damaged jumping mats should immediately be replaced.

# **SAFETY INSTRUCTIONS FOR YOUR TRAMPOLINE**

## **METHODS OF ACCIDENT PREVENTION**

Role of the user in preventing accidents:

A basic knowledge of the trampoline by the user is a must for security. All users of the trampoline must learn first how to accomplish a low controlled jump as well as the fundamental landing positions and combinations, before turning to advance jump exercises. Users must know why they must control their jump, before they may practice other movements. A controlled jump is when you land and take off from the same location. The first lesson is the understanding of the correct order in developing jumping skills on a trampoline. For further information or exercise materials, please turn to a trained trampoline teacher.

Role of the supervisor in preventing accidents:

It lies in the responsibility of the supervisors to guarantee a reasonable and experienced supervision of the users of trampoline. Rules and warnings in this manual must be applied, and known to the users of the trampoline in order to reduce the probability of accidents and injuries. In times when supervision is not possible or insufficient, the trampoline should be dismantled and stored in a secured place to prevent unauthorized use.

## **SAFE USE INSTRUCTIONS**


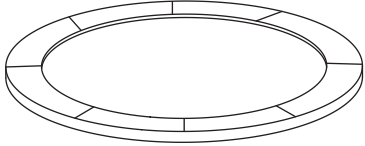
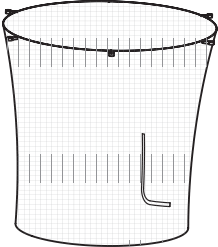
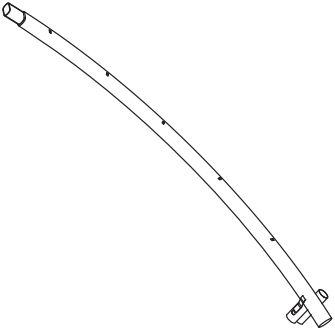
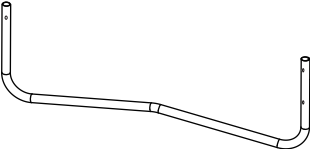
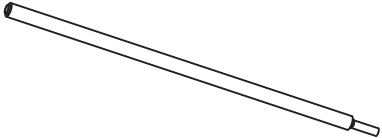
- A) Read all instructions before using the trampoline.
- B) Allow only one person on the trampoline at any time. Use by more than one person at the same time can result in serious injury.
- C) Use the trampoline only with mature, knowledgeable supervision at all times.
- D) Inspect the trampoline before each use. Make sure the frame padding is correctly and securely positioned. Replace any worn, defective, or missing parts.
- E) Keep objects away which could interfere with the user. Maintain a clear area around, above, and under the trampoline.
- F) Learn fundamental bounces and body positions thoroughly before trying more advanced skills.

## **SITTING INSTRUCTIONS**

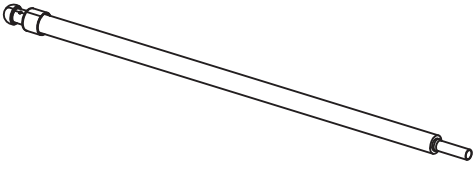

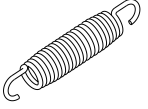


- (A) Place the trampoline on a flat level surface with impact absorbing properties such as grass and ensure that it is sufficiently stable to prevent it from tipping over and/or blowing away. Sandbags or pegs may be suitable anchorage devices.
- (B) Adequate overhead clearance is essential. A minimum of 8 m from ground level is recommended. Provide clearance for wires, tree limbs, and other possible hazards.
- (C) Lateral clearance is essential. Place the trampoline away from walls, structures, fences and other play areas.
- (D) Maintain a free space of minimum 1.5 m on all sides of the trampoline. This area should not include concrete, asphalt, brick or other hard surfaces as these can cause serious injuries.
- (E) Keep the trampoline on a level surface.
- (F) Use the trampoline in a well lit area.

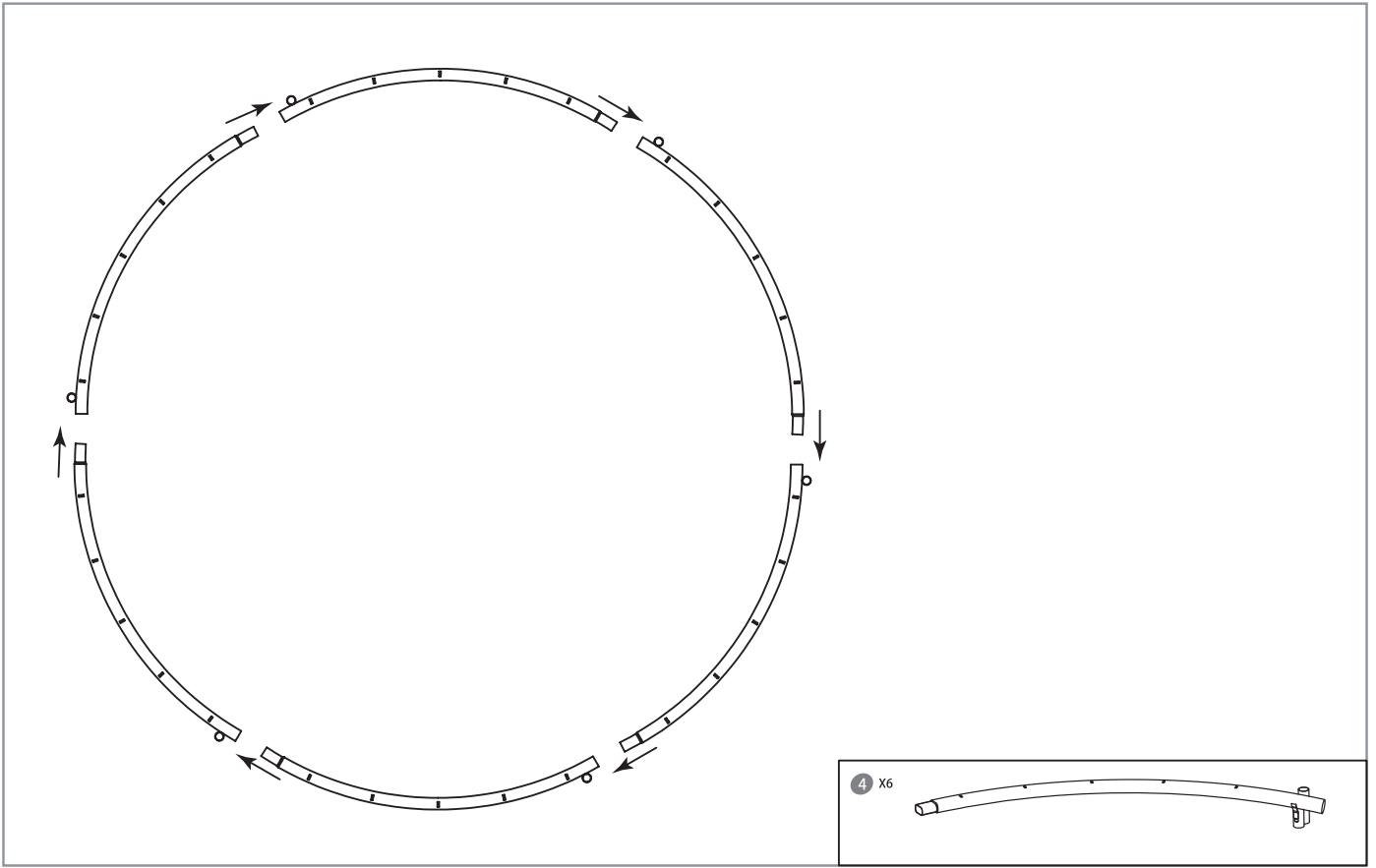
## **FOR TRAMPOLINES REQUIRING PADDING**

- (A) Inspect the trampoline before each use and replace any worn, defective, or missing parts.
- (B) The following conditions could represent potential hazards:
- (C) Missing, improperly positioned, or insecurely attached frame padding.
- (D) Punctures, frays, tears, or holes worn in the bed or frame padding.
- (E) Deterioration in the stitching or fabric of the bed or frame padding.
- (F) Broken or stretched springs.
- (G) A bent or broken frame.
- (H) A sagging bed.

Key Number	Diagram	Description	Quantity
1		Mat	1
2		Pad	1
3		Enclosure net	1
4		Top rail with welded tube	6
5		Leg	3
6		Lower enclosure pole	6

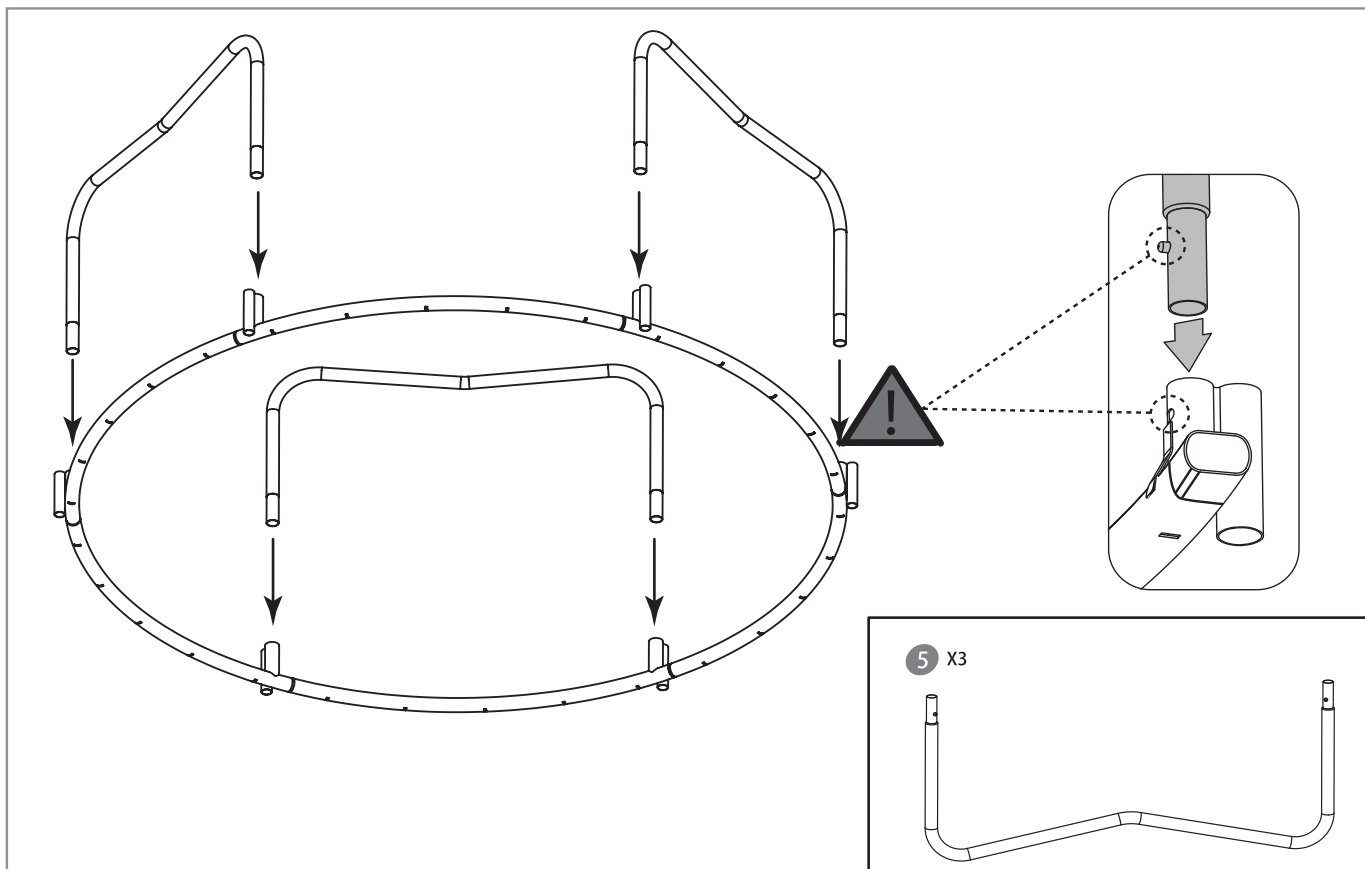


Key Number	Diagram	Description	Quantity
7		Upper enclosure pole	6
8		Spring tool	1
9		Spring	30
10		Elastic webbing with hook	6
11		Webbing with needle	1



## Step 1: Top Rail Assembly

- Connect the top rail with welded tube (4) as the above picture shows.

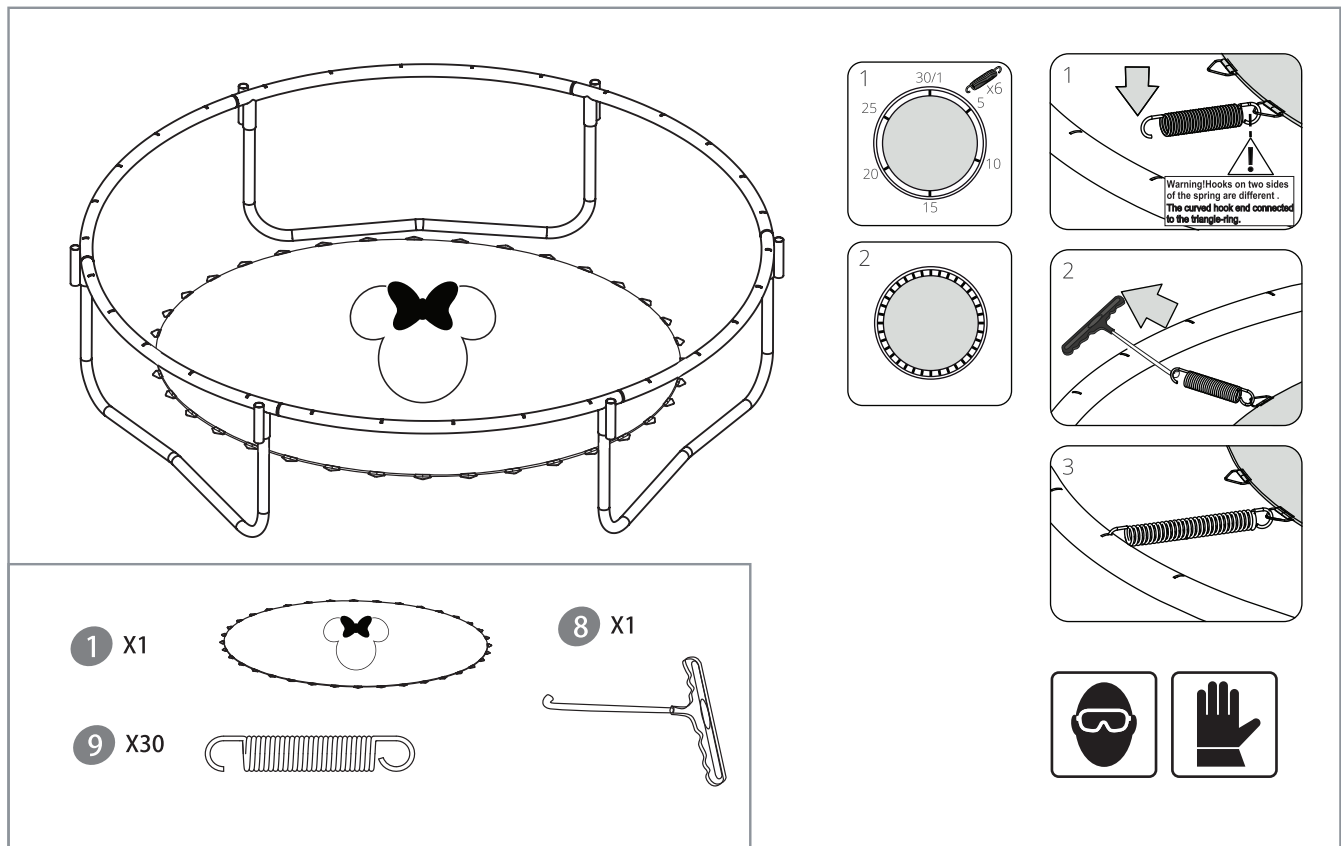


## Step 2: Top Rail and Leg Assembly

- Turn the assembled top rail in step one upside down, connect the top rail with welding tube (4) with leg (5), as the above picture shows.

**Warning:** Make sure that you have plenty of space and a clean dry area suitable for assembly of this trampoline.

**IT IS ESSENTIAL THAT THE INTENDED SITE FOR THIS TRAMPOLINE IS COMPLETELY FLAT AND LEVEL.**



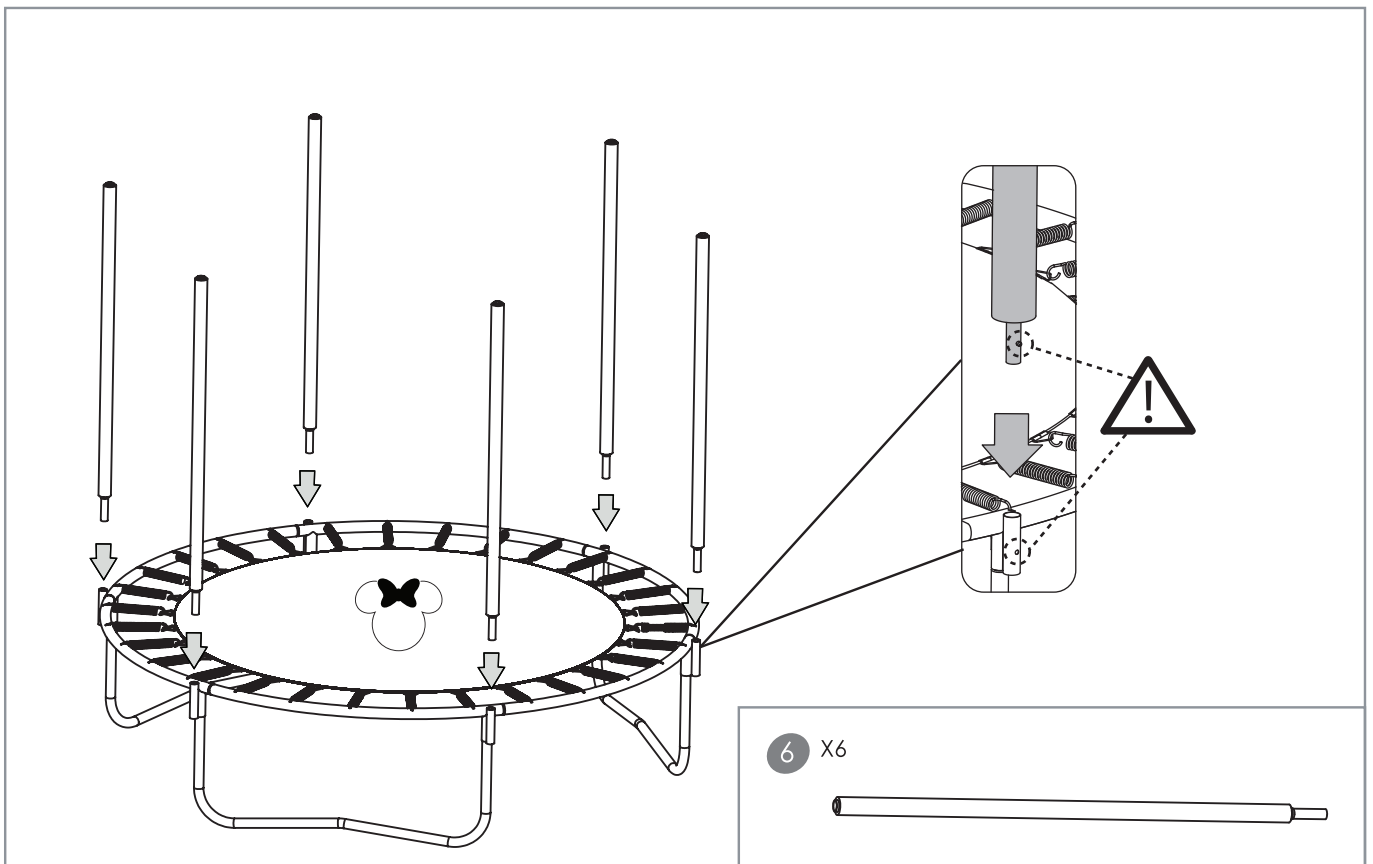
### Step 3: Spring Assembly

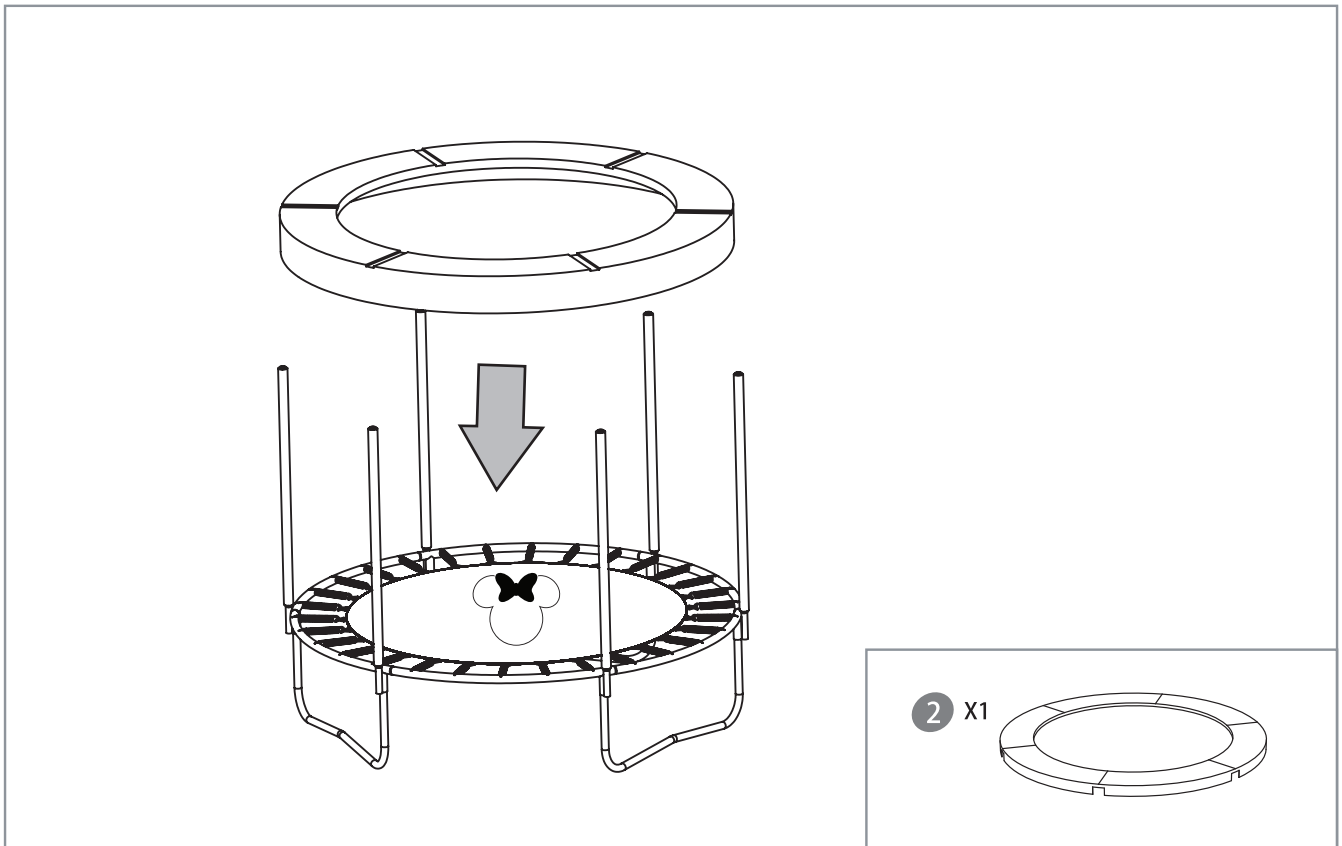
#### Warning!

When attaching the springs, do not place your hands, arms, legs or any other body part close to the connector points (i.e. joints connecting the steel tubes). The connector points can become pinch points as the trampoline springs tighten up. Wear heavy duty working gloves and goggles to avoid injuries to the eyes. Take care when installing the springs as they can rebound and fly off if you inadvertently let go when not hooked properly. Ensure no children are playing nearby when installing or assisting in the assembly of the trampoline.

- Turn the assembled frame in step two upside down. Starting at point "Zero" hook one end of the spring (9) into the triangle-ring on the mat (1). Holding the spring tool (8) underhand, pull the other end of the spring and lock it into the hole on the frame as the above picture shows.

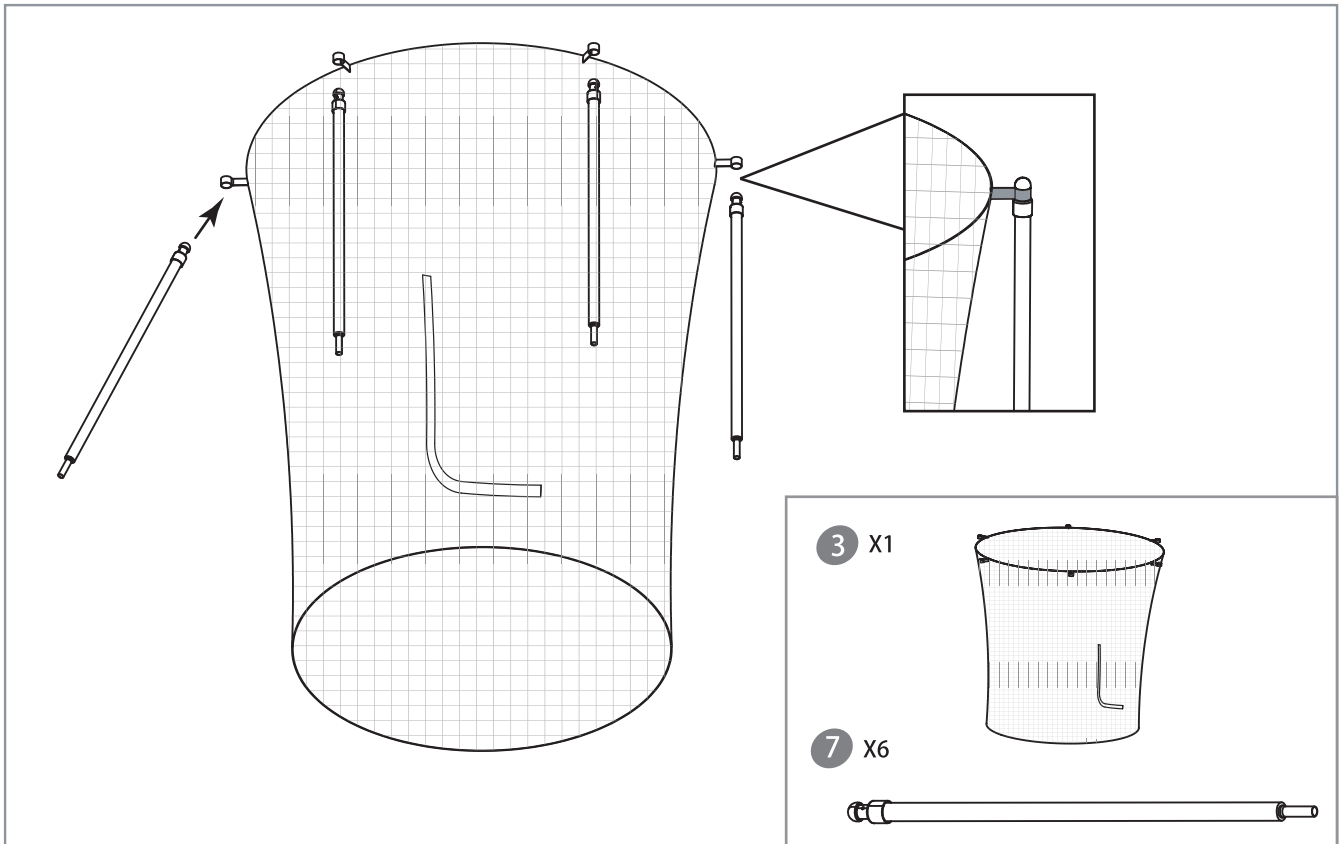
- After you have secured the spring at point "Zero", place another spring at the opposite place and then divide into two parts again with another two at three and nine o' clock position.
- Attach the springs in the same manner as the previous step. Then follow step 1,2,3 to finish spring assembly.
- The number of triangle-rings sewn onto the mat is equal to the number of holes on the frame. If you notice that you have miscounted holes or triangle-rings, remove and reinstall the springs as necessary while maintaining an even distribution of tension as explained above.





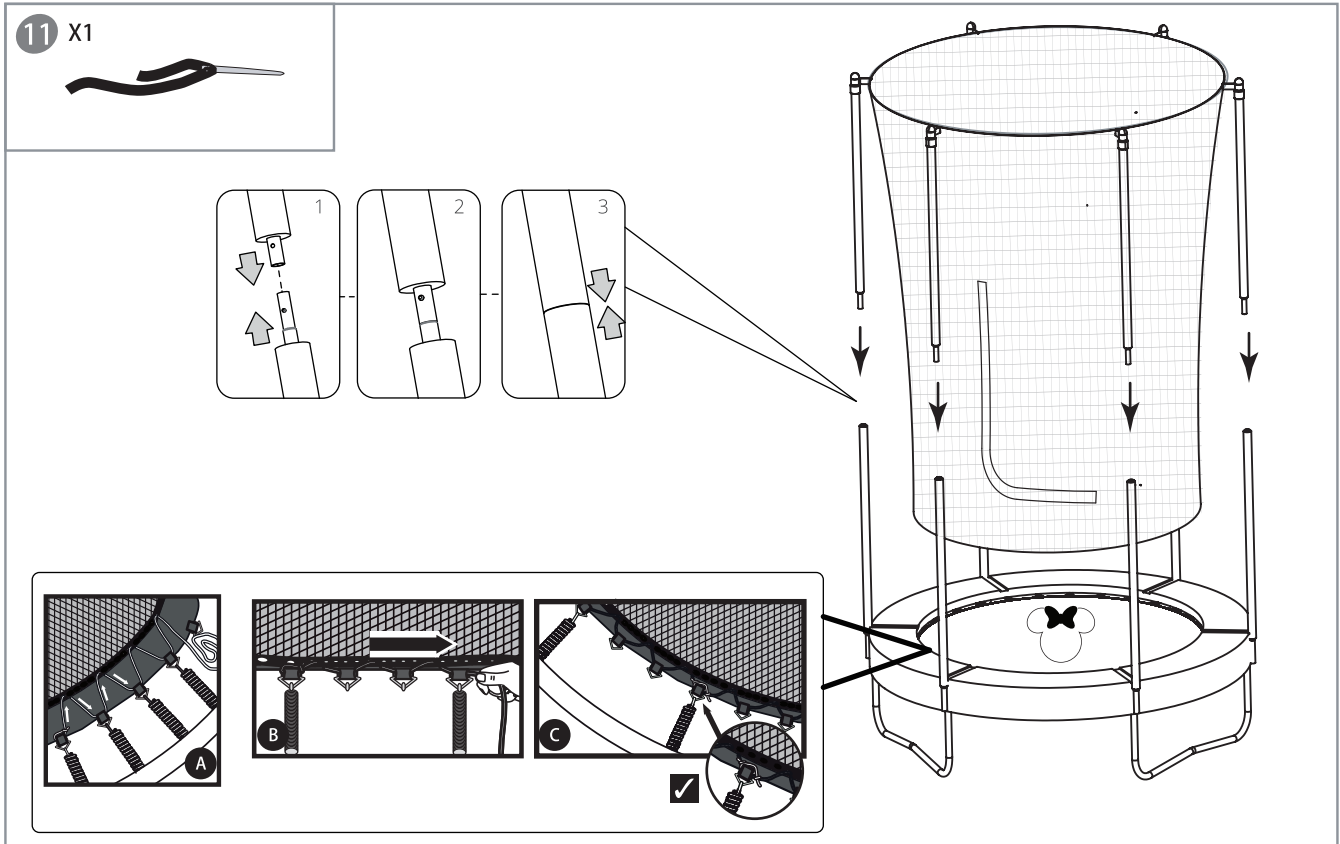
## Step 4: Lower Enclosure Pole and Pad Assembly

- Connect lower enclosure pole (6) with top rail welded tube (4) by clipping the pit pin.
- Repeat this 6 times to finish lower enclosure pole assembly.
- Place the frame pad (2) onto the frame like above picture shows.



## Step 5: Upper Enclosure Pole and Enclosure Net Assembly

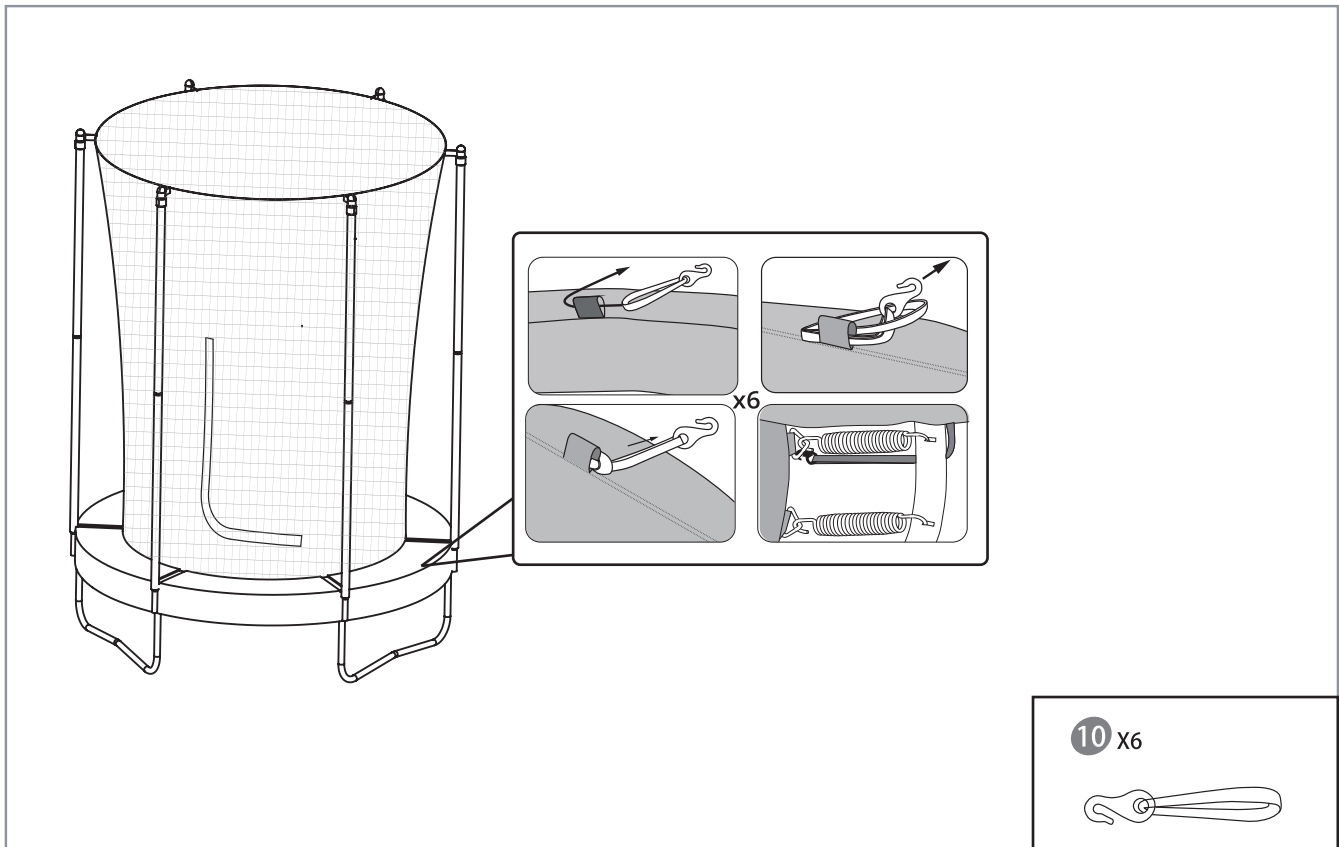
- Connect the upper enclosure pole (7) with enclosure net (3) by placing the pole through the net webbing loop as the above picture shows.



## Step 6: Upper and Lower Enclosure Pole and Enclosure Net Assembly

- Connect the upper enclosure pole (7) with lower enclosure pole (6) as the above pictures show.
- Lift up the frame pad (2) and connect webbing with needle as the above pictures show, and repeat process A, B and C.





## Step 7: Frame Pad Assembly

- Connect the frame pad (2) to the elastic webbing with hook through top rail (4). Attach to the jumping mat (1). The triangle ring and band ties to the triangle hook as the above pictures show.

### ! IMPORTANT

Once you have finished the assembling of the trampoline, go back over all the connections and make sure they are in good condition before using. Read this entire manual and make sure all users completely understand all of the safety rules printed in the manual and on the various warning signs. Ensure that if the trampoline is moved it is positioned on a flat level surface with correct clearance distance. If you need to disassemble the trampoline, please follow the assembly instructions in reverse and take special care to retain all parts. Retain the original packaging for transport purposes.

# WARNING!

In addition to the instructions and precautions provided with your trampoline, the following precautions must be observed while using the Trampoline Safety Enclosure.

- The metal frame of the trampoline enclosure will conduct electricity. Lights, extension cords, and all such electrical equipment must never be allowed to come in contact with the enclosure.
- Inspect the enclosure before each use. Make sure the straps and all parts are correctly and securely positioned and attached. Tighten any loose hardware. Replace any worn, defective, or missing parts.
- Wear comfortable clothing free of hooks, snaps, drawstrings or anything which can catch in the safety enclosure mesh. Remove jewellery, necklaces, and earrings.
- Climb on and off the trampoline only through the safety enclosure entrance and securely close entrance. Users, especially children, must not attempt to enter or exit between the trampoline frame and the enclosure. Doing this may pose a strangulation risk.
- Do not touch or rebound off the safety enclosure mesh while using the trampoline.
- Read all instructions and complete all assembly before using the safety enclosure.
- Use trampoline and trampoline enclosure only with mature, knowledgeable supervision.
- Adequate overhead clearance is essential. A minimum of 8 metres from ground level is recommended. Provide clearance for wires, tree limbs, and other possible hazards.
- Lateral clearance is essential. Place the trampoline and trampoline enclosure away from walls, structures, fences, and other play areas. Maintain a clear space on all sides of the trampoline and trampoline enclosure. A minimum of six feet from frame edge is recommended.
- The trampoline is heavy and is under heavy tension. Two adults are required to set it up. Use appropriate clothing and shoes. Failure to follow these instructions may lead to injury or damage to the trampoline.
- Never set-up the trampoline in heavy rain, wind or stormy conditions, especially lightning storms. It is recommended that the trampoline be taken apart and stored in bad weather.
- When moving the assembled trampoline, have at least four people evenly spaced around the frame (NSEW) to lift the trampoline off the ground.
- Place the trampoline and trampoline enclosure on a level surface before use.
- Use the trampoline and trampoline enclosure in a well-lit area. Artificial illumination may be required for indoor or shady areas.
- Secure the trampoline and trampoline enclosure against unauthorized and unsupervised use.
- Remove any obstructions from beneath the trampoline and trampoline enclosure.
- The owner and supervisors of the trampoline and trampoline enclosure are responsible to make all users are aware of practices specified in the "Use Instructions".
- The trampoline enclosure is only to be used as an enclosure for a trampoline and the trampoline must be of the appropriate size covered by the specific enclosure.
- Do not allow more than one person on the trampoline or inside the trampoline enclosure. Use by more than one person at the same time can result in serious injuries.
- Use trampoline and trampoline enclosure only with mature, knowledgeable supervision.
- Never set-up the trampoline in heavy rain, wind or storm conditions, especially lightning storms. It is recommended that the trampoline be taken apart and stored in bad weather.
- When moving the assembled trampoline and trampoline enclosure have at least four adults evenly spaced around the frame.
- Inspect that trampoline and trampoline enclosure before each use. Make sure that frame cover, barrier and, enclosure support padding are correctly and securely positioned. Replace any worn, defective, or missing parts.

## **WARNING!**

- Enter and exit the enclosure only at the enclosure door or barrier opening designated for that purpose. It is a dangerous practice to jump from the trampoline to the ground or floor when dismounting, or to jump onto the trampoline when mounting. Do not use trampoline as a springboard to other objects
- Avoid bouncing too high. Stay low until bounce control and repeated landing in the centre of the trampoline can be accomplished. Control is more important than height.
- Properly secure the trampoline when not in use. Protect it against unauthorized use. If a trampoline ladder is used, the supervisor should remove it from the trampoline when leaving the area to prevent unsupervised access by children under six years of age.
- For additional information concerning the trampoline equipment, contact the manufacturer.
- Read all instructions before using the trampoline and trampoline enclosure. Warnings and instructions for the care, maintenance, and use of this trampoline and trampoline enclosure are included to promote safe, enjoyable use of this equipment.
- Do not intentionally bounce off the barrier.
- Do not attempt to jump over barrier or attempt to crawl under barrier.
- Do not hang from, kick, cut or climb on barrier.
- Do not attach anything to the barrier that is not manufacturer approved accessory or part of the enclosure system.
- Do not use trampoline without mature and knowledgeable supervision.
- Do not attempt or allow somersaults.
- Do not allow more than one person on the trampoline at any time.
- Do not use the trampoline when wet.
- Do not jump onto or off the trampoline.
- Do not use a trampoline while under the influence of alcohol or drugs.
- Do not allow any activity underneath the trampoline.
- Inspect the trampoline before each use. Make sure the frame padding is correctly and securely positioned. Replace any worn defective or missing parts.
- Keep objects away which could interfere with the user. Maintain a clear area around, above, and under the trampoline.
- Learn fundamental bounces and body positions thoroughly before trying more advanced skills.

**For domestic Use ONLY**

**Not for professional use.**

**Maximum user weight:40kg/88lb**

# MAINTENANCE

Inspect the trampoline and trampoline enclosure before each use and replace any worn, defective, or missing parts.

The following conditions could represent potential hazards:

1. Missing, improperly positioned, or insecurely attached frame padding, barrier or enclosure support system (frame) padding and pole caps.
2. Punctures, frays, tears, or holes worn in the bed or frame padding, barrier or enclosure support system (frame) padding and pole caps.
3. Deterioration in the stitching or fabric of the bed or frame padding, barrier or enclosure support system (frame) padding and pole caps.
4. Ruptured springs or bands.
5. A bent or broken frame or support system.
6. A sagging barrier or bed.
7. Sharp protrusions on the support (frame) or suspension system.
8. Loosened or missing hardware.

***(a) Components of this trampoline are susceptible to deterioration from use and environmental conditions, such as sunlight, rain, salt and heat, to varying degrees. It is essential that you inspect the trampoline before each use and replace any worn, defective, or missing parts before further use. Use only parts that are recommended by the manufacturer.***

***(b) The information contained in Table A1.***

**TABLE A1  
POTENTIAL HAZARDS OF TRAMPOLINE COMPONENTS**

Trampoline frame	Trampoline bed	Frame-padding (where required)	Enclosure system
Bending or breakage of the frame	Punctures, frays, tears or holes in the bed or edge system	Missing, improperly positioned or insecurely attached frame-padding	Missing, improperly positioned, or insecurely attached:
Broken, stretched or missing springs	Deterioration in the stitching or fabric of the bed or edge system	Punctures, frays, tears, or holes in the frame-padding	(a) Barrier. (b) Barrier supports. (c) Pole caps.
Sharp protrusions on the frame	Sagging of the bed Sharp protrusions in the suspension system elements	Deterioration of the stitching or fabric of the frame-padding and/or its securing system Damaged or degraded padding	Punctures, frays, tears, or holes in the barrier Damage to the support pole padding (when padding is required) Deterioration in the stitching or fabric of the barrier Sagging of the barrier Bent or broken barrier supports Sharp protrusions on the barrier support structure Broken or damaged enclosure entry system

NOTE: A sample inspection checklist for consumers is provided in Appendix B.

# EXERCISE INSTRUCTIONS

## FUNDAMENTAL BOUNCES

### STANDING BOUNCE



1. Start in the centre of mat, with feet shoulder width apart, arms at side.
2. As you jump from trampoline, arms come up and forward, circling outward and back to your side as you again contact the mat. Bring feet together, toes pointed, in the air, feet shoulder width apart again as you contact mat. Arms need never go above your shoulders or behind your body.

### KNEE BOUNCE



1. First , assume kneeling position in centre of mat, back straight, eyes looking directly forward.
2. Pump your way to your feet by bouncing, using your arms as in standing bounce.
3. Duplicate position from a low bounce.

### HANDS & KNEE DROP



1. Kneel as shown in illustration, keeping head up, eyes looking forward.
2. Duplicate position from a low bounce. Keep your hands as close to your knees as shown in illustration.

### FRONT DROP



1. First, assume position of hands and knees bounce. Begin to bounce slightly in this position, then kick legs back, land on stomach, taking some weight on bent forearms as shown in illustration. Make sure you kick backwards, do not go forward and return to hands and knees position.
2. Try from a low bounce, kicking backwards, making your belt land where your feet were.

### SEAT DROP



1. First, assume sitting position in centre of mat, legs spread wide, and hands on mat, leaning slightly forward.
2. Duplicate this position from a low bounce to come to your feet again, be sure to lean forward and press mat with your hands.

# EXERCISE INSTRUCTIONS

## BACK DROP



1. Lie on your back on mat, spread your legs slightly and raise them about 45 degrees from the surface of the mat, raise your arms to corresponding angle, raise head and look at end of trampoline. This is your landing position.
2. Try cautiously from a low bounce, making sure you do not lose sight of end bar of trampoline at any time. Weight should be taken more on your shoulders than on your hips.

## PIROUETTE



### HALF PIROUETTE:

Done like a standing bounce, but at top of bounce, swiftly turn head and search for opposite end of trampoline. Do not travel. Land on feet.

### FULL PIROUETTE:

Done as above, but continue around, until a complete circle has been made. Spot by looking for end bars as you complete trick.

## TUCK POSITION



Done like a standing bounce, but at top of bounce, bring knees to chest and grasp with arms. Then lower feet to contact mat.

## PIKE POSITION



Done like a standing bounce, but at top of bounce, keeping knees locked and toes pointed, raise legs as illustrated, then lower feet to contact mat.

## LAYOUT POSITION



Done like a standing bounce, but at top of bounce, stretch slightly, arching back, and momentarily looking skyward.

## STRADDLE POSITION



Done like pike bounce, but with legs spread as widely as is comfortable. Reach for your toes!

## CLEANING

Do not use any abrasive cleansers when cleaning. Use a soft, damp cloth to eliminate dirt and dust.

## DISPOSAL ADVICE

Packaging:

This product is delivered with a packaging, to protect it from damages during transport. The packaging materials are made of raw materials, which are recyclable. Please dispose of these materials according to material type.

If you want to dispose of the products, dispose according to regulations in your area. Refer to your municipal institution for further information.

## CONTACT US

Thank you for purchasing product from Kmart.

Please contact JCA Collective for any spare part enquiries.

Phone Number: +61 423 259 751 Office Hours: Monday to Friday 9am to 5pm

or Email: [service@jacollective.com](mailto:service@jacollective.com) for all after sales service and replacement parts.

Please retain your proof of purchase for warranty purposes.

## Product Warranty

This product is warranted to be free from defects in material and workmanship under normal use and service conditions for one (1) year after the date of purchase. The frame on trampolines is warranted for one (1) year after the date of purchase.

All warranty coverage extends only to the original purchaser of the product and is not assignable or transferable. The original store or online purchase receipt must be kept as proof of purchase in order for the warranty to be valid. These documents must be presented in the event of making a warranty claim.

During the warranty period, we will provide repair or replacement of defective equipment or parts thereof covered by the warranty. Any handling transportation, delivery and other incidental charges in respect of the servicing of the equipment shall be borne by the Purchaser. If the product includes a number of accessories, only the defective part or accessory will be replaced.

The warranty will become void if any defects or damages are associated with the use of unauthorized replacement parts. All replacement parts must be obtained from our authorized agents. All decisions made by the manufacturer in respect of the servicing of the equipment (including repairs, replacements or issues relating to defects of workmanship or materials) shall be conclusive and the Purchaser agrees to be bound by such decisions. Any defective equipment or part thereof replaced shall become the property of the manufacturer.

In the event of a product or accessory being replaced during the guarantee, the guarantee on the replacement will expire at the original date, i.e. 1 year from the original purchase date.

This warranty excludes defects caused by the product not being used in accordance with instructions, accidental damage, misuse or being tampered with by unauthorized persons.

This Limited Warranty does not cover:

- a) Products used for commercial or rental purposes.
- b) Loss or damage to product due to:
  - i. Abuse, repairs and/or tampering by any person other than our authorized personnel.
  - ii. Negligence and/or misuse (including foreign objects, accidents, improper storage, exposure to sun/moisture, excessive temperature, sand, dust, dirt, other pollution or other environmental conditions and failure to follow precautions or proper operating instructions stated in the User's Manual such as improper installations)
  - iii. Fire, flood, lightning strike, wind storm or other acts of God
  - iv. Freight or improper transport damages
  - v. Improper usage (including use by underage, overweight or excessive number of users permitted as stated in the User's Manual).
- c) Defects, damages or accidents due to the malfunction, connection to or use of unauthorized parts.

In such event, we reserve the right to cancel the Limited Warranty coverage immediately.

To the extent allowed by the applicable local law, the remedies in the Limited Warranty are the Purchaser's sole and exclusive remedies.

Our goods come with guarantees that cannot be excluded under the Australian Consumer Law. You are entitled to a replacement or refund for a major failure and compensation for any other reasonably foreseeable loss or damage. You are also entitled to have the goods repaired or replaced if the goods fail to be of acceptable quality and the failure does not amount to a major failure.

For New Zealand customers, this warranty is in addition to statutory rights observed under New Zealand legislation.



**THE MANUFACTURER IS NOT RESPONSIBLE OR LIABLE FOR INDIRECT, SPECIAL OR CONSEQUENTIAL DAMAGES ARISING OUT OF OR IN CONNECTION WITH THE USE OR PERFORMANCE OF THE PRODUCT OR OTHER DAMAGES WITH RESPECT TO ANY ECONOMIC LOSS, LOSS OF PROPERTY, LOSS OF REVENUE OR PROFITS, LOSS OF ENJOYMENT OR USE, COST OF REMOVAL, INSTALLATION OR OTHER CONSEQUENTIAL DAMAGES.**

**THE WARRANTY EXTENDED HEREUNDER IS IN LIEU OF ALL OTHER WARRANTIES AND ANY IMPLIED WARRANTY OF MERCHANT LIABILITY OR FITNESS FOR A PARTICULAR PURPOSE IS LIMITED IN ITS SCOPE AND DURATION TO THE TERMS SET FORTH HEREIN.**

**PLEASE NOTE: ANY REPAIRS OR REPLACEMENTS MUST BE MADE USING MANUFACTURER AUTHORIZED PARTS IN ORDER FOR THIS WARRANTY TO BE VALID.**

**PLEASE CONTACT OUR CUSTOMER SERVICE FOR PARTS OR ASSEMBLY INSTRUCTIONS.**





**WARNING:** Age grade 3-6 years. Not suitable for children under 36 months. Small parts, choking hazard, fall hazard. Adult assembly required. Adult supervision required at all times. Only for domestic use. Outdoor use only. One user at a time, collision hazard. Replace the enclosure net after one year of use. Maximum user weight 40kgs.

KEYCODE:43-170-944

MADE IN CHINA

FOR AU/NZ: IMPORTED FOR KMART  
STORES IN AUSTRALIA AND NEW ZEALAND.

KMART CUSTOMER SERVICE  
AU:1800 124 125 NZ:0800 945 995