

anko

Pet Toy Push IQ



Contents:



Suction Cup * 4 pcs



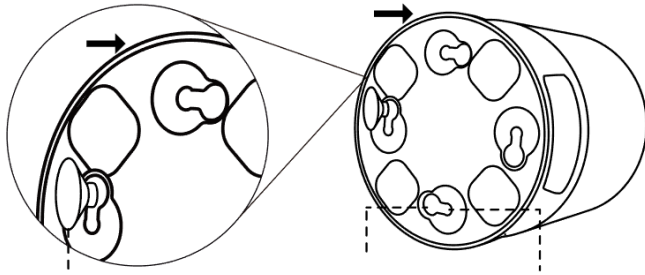
Brush * 1 pcs



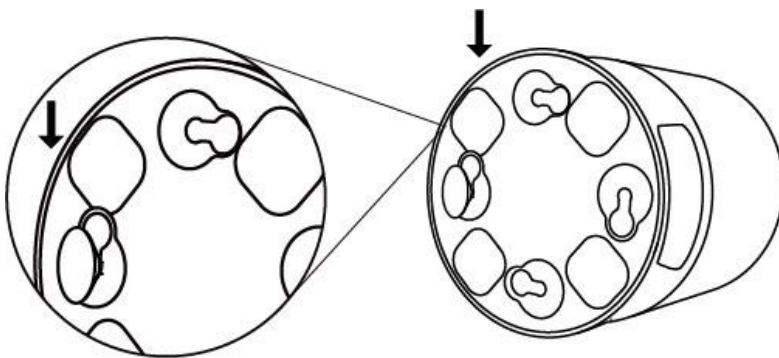
Pet Toy Push IQ * 1 pcs

Suction Cup Installation Instruction

a1 Insert the suction cup into the big hole at the bottom.



a2 Move the suction cup from the large hole to the small hole at the edge to secure the suction cup.

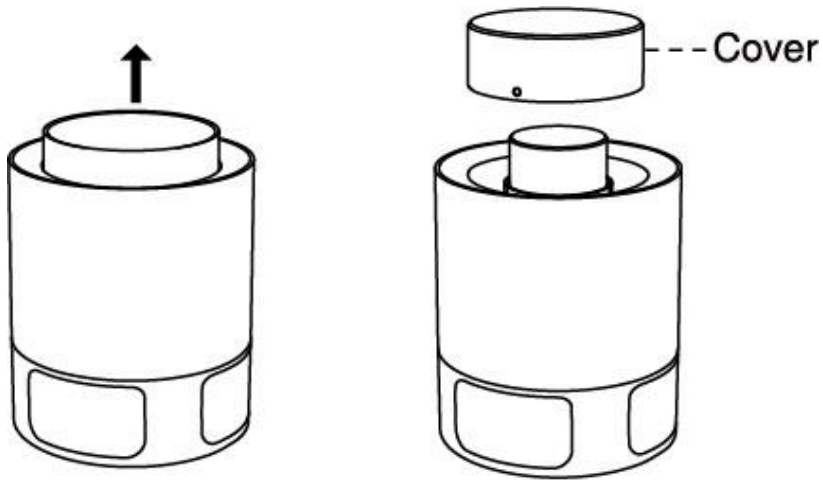


a3 Once completed this is what the suction base looks like.

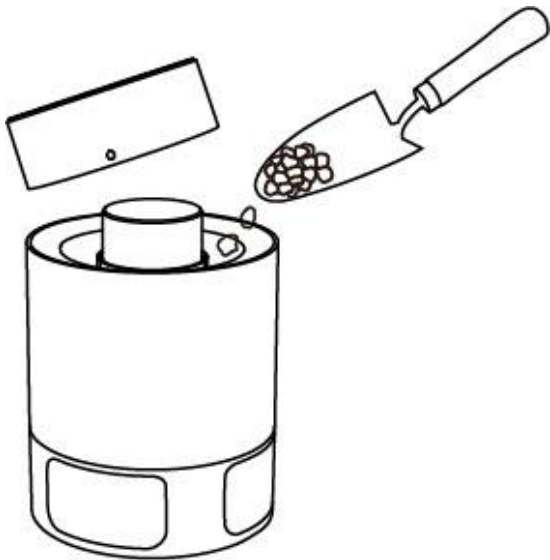


Adding Treats

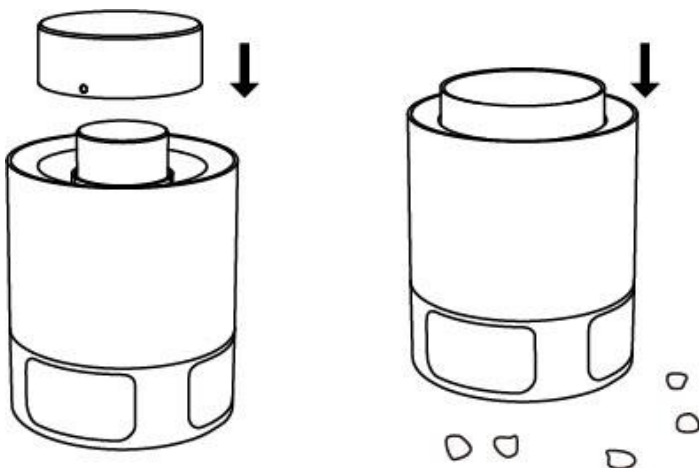
b1 Open the top round cover upwards to open the treat entrance.



b 2 Add pet treats from the top.

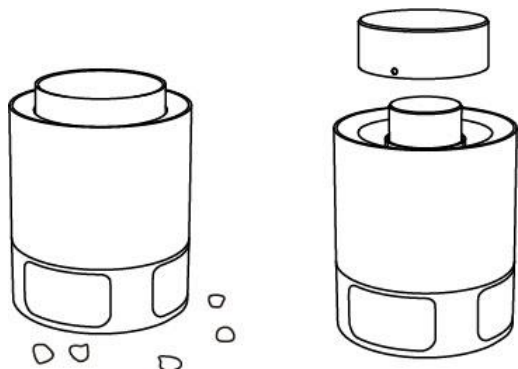


b3 After adding treats, align the top round cover press down to the intermediate position to finish adding treats. Press down for treats to drop out.

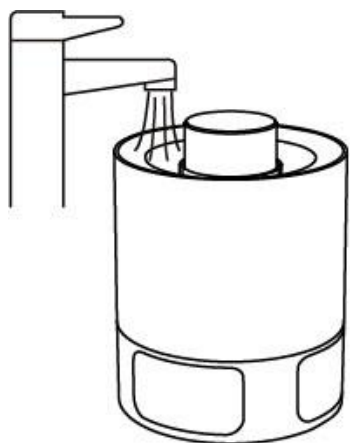


Cleaning Instruction

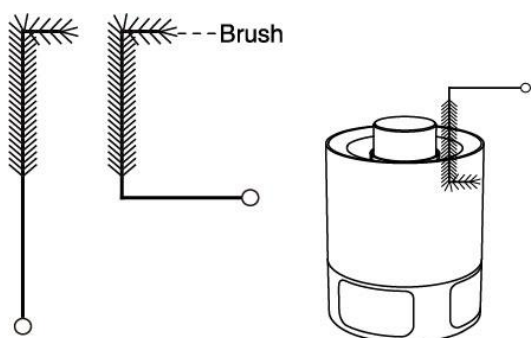
c1 After all the treats have been exhausted, remove the top round cover.



c2 Wash the inner wall of the product directly with water.



c3 The brush can be bent to a suitable angle to assist in cleaning the inner wall of the product.



WARNING: PET TOY - NOT INTENDED FOR CHILDREN.

TREATS WITHIN THIS GAME SHOULD BE CONSIDERED IN AN OVERALL HEALTHY DIET. TREATS ARE INTENDED FOR OCCASIONAL OR SUPPLEMENT FEEDING. IT IS THE RESPONSIBILITY OF THE PET OWNER IF THIS TOY IS SUITABLE FOR THEIR PET'S STYLE OF PLAY. NO PET TOY IS INDESTRUCTIBLE AND CAN BE DAMAGED DURING PLAY. FOR YOUR PET'S SAFETY, INSPECT REGULARLY AND REMOVE IF DAMAGED. ALWAYS SUPERVISE YOUR PET DURING PLAY.