

WOODEN TABLE INSTRUCTIONS

Keycode: 43181889

Please read completely before setting up your Wooden Table

Please read and understand these instructions before attempting to set up your Wooden Table. Follow all safety precautions, care and maintenance tips listed below when using your Wooden Table.

Warning!

1. Never set up or continue to use in any rain, wind or storm conditions.
2. Please don't stand and step on the table.
3. Please don't sit on the table
4. The wooden table should be stored in a dry environment.
5. Avoid bending the frame or pinching your fingers or hands while opening or closing the frame.
6. Avoid setting up your Wooden Table on steep inclines or uneven ground.
7. Make sure the table top is horizontal, when placing items.
8. Keep the wooden table away from heat and flames at all times.
9. Max weight capacity:15KG
10. Clean the dust and stains with a damp cotton cloth, and then wipe the table with a dry cotton cloth. It is recommended to use a special furniture cleaner to remove oil stains.

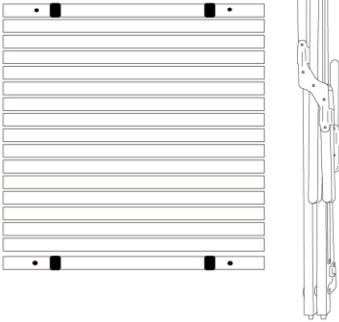
WARNING:

Max weight capacity:15KG

Assembly Instructions

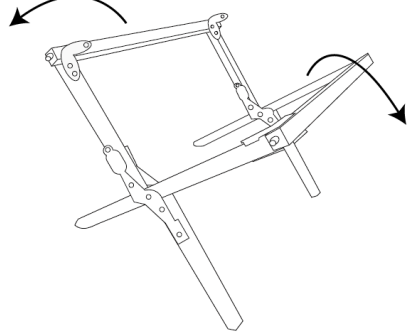
Follow these instructions carefully to avoid pinching your hands or fingers in any of the moving parts as the frame opens and closes.

Step.1



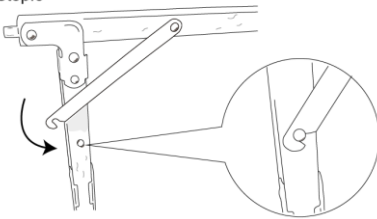
Take the wooden frame and tabletop out of the carry bag.

Step.2



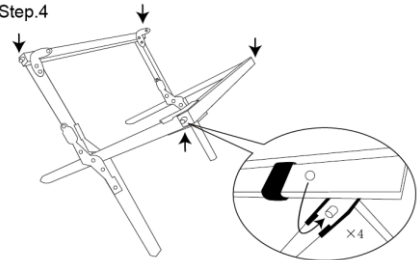
Open the wooden frame firmly until four legs can't be moved.

Step.3



There is a black iron hook on the outside of one wooden stick.
Rotate the hook to snap into the groove on one wooden leg.

Step.4



Place the tabletop on the open frame and firmly insert the protrusions at the four corners of the leg into the holes to fix it.

Step.5



The installation is complete

CAUTION: BE CAREFUL NOT TO PINCH FINGERS. DO NOT PUSH HARD.

Disassembly Instructions

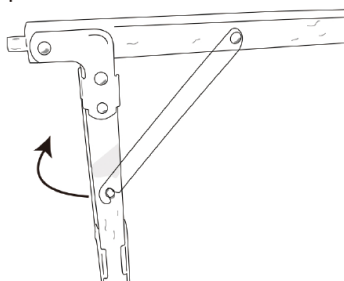
When you're ready to fold the wooden table, please make sure there's nothing on the table.

Step.1



Pull the wooden boards on both sides to separate the hole from the protrusions at the four corners of the leg one by one.

Step.2



Remove the iron hook from groove and put it on the outside of one wooden stick.

Step.3



Roll up the tabletop, and put it and foldable wooden frame together in the carry bag.

CAUTION: BE CAREFUL NOT TO PINCH FINGERS. DO NOT PUSH HARD.

Final having made sure the table is completely dry return your fold up table to its storage bag.

MADE IN CHINA