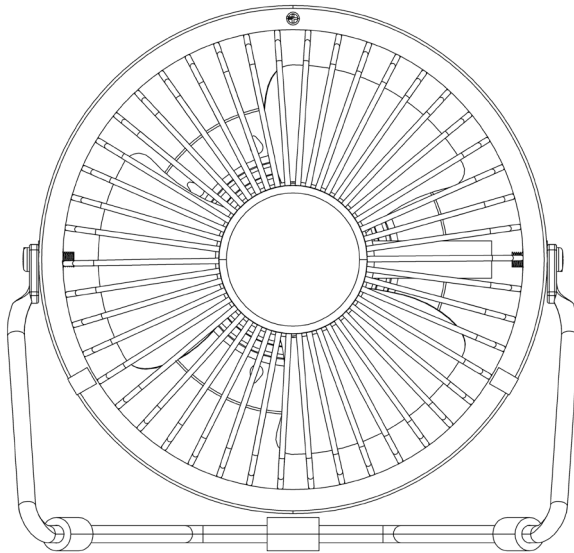


anko

Fan with Clock and Temperature Display User Manual



Model No.: HEG10LED
Rev 2

Note: The specifications and/or components of this appliance are subject to change without prior notice.

1	Safety Instructions	3
2	Components	5
3	Instructions for Use	5
3.1	On / Off	5
3.2	Setting the Time	6
3.3	Fan Direction Adjustment	7
3.4	Temperature Display	7
4	Care and Cleaning	7
5	Storage	7
6	Warranty Against Defect	8

1 Safety Instructions

When using electrical appliances, basic safety precautions should always be followed, including the following:



Carefully read this instruction manual before using the Fan.

- Keep the Fan out of reach of young children.
- This appliance can be used by children aged from 8 years and above and persons with reduced physical, sensory or mental capabilities or lack of experience and knowledge if they have been given supervision or instruction concerning use of the appliance in a safe way and understand the hazards involved.
- Children should be supervised to ensure that they do not play with the Fan.
- Ensure children and babies do not play with plastic bags or any packaging materials.
- Do Not disassemble the appliance. There are no user serviceable parts inside.
- **VERY IMPORTANT:**
Ensure that appliance does not get wet (water splashes etc.).
Do not use appliance with wet hands.
Do not immerse appliance in water or other liquids or use near sinks, baths or showers.
- Always operate the appliance from a power source of the same voltage and rating as indicated on the product identification plate.
- Position the USB cable properly so that they will not be walked on or pinched by items placed on or against it.
- Use appliance only for its intended use. Appliance is intended for household use only and not for commercial or industrial use.
- The use of accessories not intended for use with this appliance may cause injuries to the user or damage to the appliance.
- Do not install the unit on other appliances, on uneven surfaces or where it could be subject to: heat sources (e.g. radiators or stoves), direct sunlight, excessive dust or mechanical vibrations.
- Do not place or leave near any heat sources such as radiators, heat registers, stoves, or other apparatus that produce heat.
- Appliance should not be used outdoors, placed near a hot gas or electrical burner or placed in a heated oven.
- Do not operate appliance underneath or near flammable or combustible materials (e.g. curtains). Keep at least 300mm clearance around sides, back, front and top.

- Do not block any ventilation openings.
- Turn off and unplug before cleaning or storing.
- If this appliance is used by a third party, please supply the instruction manual with it.
- Do not misuse the USB cable. Never carry the appliance by the cable or pull to disconnect it from the outlet. Instead, grasp the USB plug and pull to disconnect.
- Do not insert or allow foreign objects to enter the grille openings as this may cause damage to the appliance and/or injury to the user.
- Do not leave the Fan running unattended.
- Avoid contacting moving parts. Keep fingers, hair, clothing and other items away from the Fan Blade during operation to prevent personal injury and/or damage to the Fan.
- No liability can be accepted for any damage caused by non-compliance with these instructions or any other improper use or mishandling of appliance.
- This product has not been designed for any uses other than those specified in this manual.
- **ONLY** for domestic use. Industrial or commercial use invalidates the warranty.

Note: This appliance has a built-in button cell battery which is not replaceable, serviceable or accessible.



Batteries may explode if disposed of in fire.



At the end of the Fan's life, contact your local waste management authority for more information on Battery Recycling and disposal regulations in your area.

IMPORTANT

Although the button cell battery is not accessible unless the product is tampered with, and that the battery is permanently secured to the circuit board, please take note of the following warning for Button Cell Batteries.

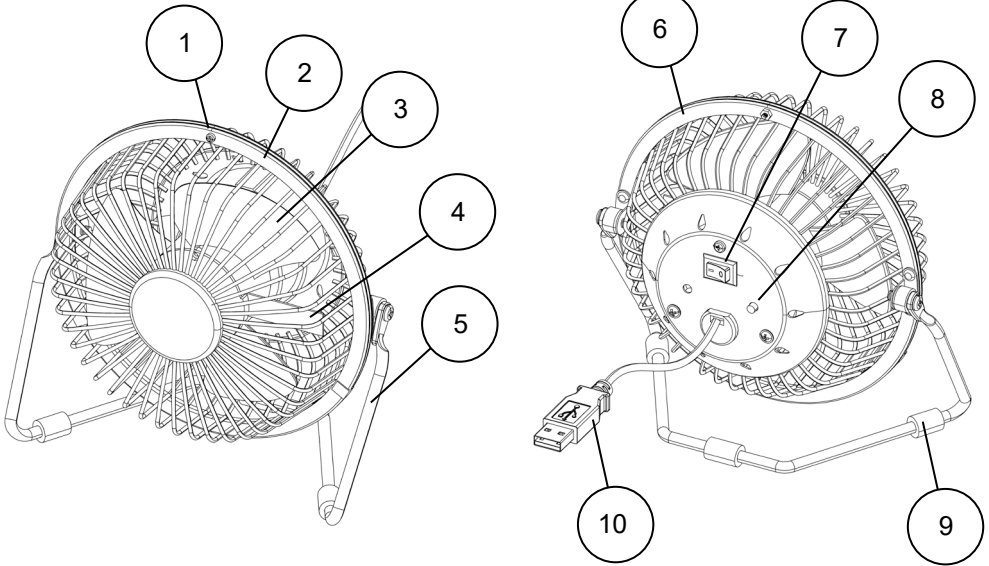


WARNING: Button cell Batteries are Hazardous (new or used). Keep away from Children.

Button Cell Batteries can cause severe or fatal injuries in 2 hours or less if they are swallowed or placed inside any part of the body.

If you suspect your child has swallowed or inserted a button cell battery, call the 24-hour poisons information centre in Australia on 131126 or in New Zealand 0800 764 766 or contact your country's emergency dept.

2 Components



1	Grille Securing Nut and Bolt	6	Rear Grille
2	Front Grille	7	On / Off Switch
3	Fan Blade	8	Time Adjustment Button
4	LED Rotary Display	9	Rubber Feet
5	Stand	10	USB Plug / Cable

3 Instructions for Use

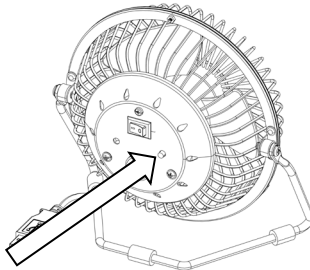
3.1 On / Off

- Remove the cable tie from the USB cable and unravel the cable before operation.
- Place the fan on a flat level surface. (refer to “Safety Instruction” section for Do’s and Don’ts)
- Insert the USB plug into a USB socket providing 5Vd.c.
- Located on the back of the fan, Press the On/Off switch to the On (I) position to start the fan.
- Press the On/Off switch to the Off (0) position to stop the fan.

3.2 Setting the Time

- To set the time, plug in and switch the fan on.
- Press and release the Time Adjustment Button to advance the minute hand by one minute.

Each press and release will advance the minute hand.



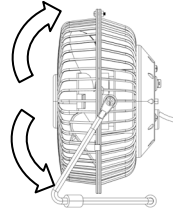
- To advance the minute hand and hour hand rapidly, press and hold the Time Adjustment Button.
- As the “hour” hand reaches the hour mark required, release the Time Adjustment Button to stop the rapid advancement, then continue to press and release the Time Adjustment Button to advance the “minute” hand to the required minute setting.
- Once set to the required time setting, do not press the Time Adjustment Button again, and the time setting will change back to “clock” mode indicated by the second hand starting to advance.

Note: The clock function has a battery back-up so as to keep the set time in memory.

The internal battery is not accessible, replaceable or serviceable.

3.3 Fan Direction Adjustment

To adjust the direction of the fan, hold the stand firmly and tilt the fan grille up or down.



Caution:

Take care not to pinch yourself in the swivel joints. Hold the stand away from the grille when adjusting the grille angle. Always turn the Fan OFF before adjusting the grille.

3.4 Temperature Display

The Fan will display the current room temperature.

Note: the temperature display is an indication only and has a tolerance of approximately $\pm 2^{\circ}\text{C}$

4 Care and Cleaning

NOTE: Cleaning and user maintenance shall not be made by children without supervision

- Turn off and unplug the fan prior to cleaning.
- Do Not Remove the grilles
- Dust the grille and stand with a with a clean, damp cloth and wipe dry.

Do Not poke anything inside the grille or motor housing as this may damage the product.

- Never spray with liquids or submerge the Fan in water or any other liquid.
- Do not use flammable liquids, chemicals, abrasive creams, steel wool or scouring pads for cleaning.

5 Storage

Switch off and unplug the fan.

Coil the cable loosely. Do not kink or pull the cable tight.

Store your fan in a cool, dry location.

6 Warranty Against Defect

12 Month Warranty

Thank you for your purchase from Kmart.

Kmart Australia Ltd warrants your new product to be free from defects in materials and workmanship for the period stated above, from the date of purchase, provided that the product is used in accordance with accompanying recommendations or instructions where provided. This warranty is in addition to your rights under the Australian Consumer Law.

Kmart will provide you with your choice of a refund, repair or exchange (where possible) for this product if it becomes defective within the warranty period. Kmart will bear the reasonable expense of claiming the warranty. This warranty will no longer apply where the defect is a result of alteration, accident, misuse, abuse or neglect.

Please retain your receipt as proof of purchase and contact our Customer Service Centre 1800 124 125 (Australia) or 0800 945 995 (New Zealand) or alternatively, via Customer Help at Kmart.com.au for any difficulties with your product. Warranty claims and claims for expense incurred in returning this product can be addressed to our Customer Service Centre at 690 Springvale Rd, Mulgrave Vic 3170.

Our goods come with guarantees that cannot be excluded under the Australian Consumer Law. You are entitled to a replacement or refund for a major failure and compensation for any other reasonably foreseeable loss or damage. You are also entitled to have the goods repaired or replaced if the goods fail to be of acceptable quality and the failure does not amount to a major failure.

For New Zealand customers, this warranty is in addition to statutory rights observed under New Zealand legislation.

IMPORTANT!

For all technical queries or difficulties in operating the product and for spare parts, contact H.E. Group customer service 1300 105 888 (Australia) and 09 8870 447 (New Zealand).