



**anko**

**Bluetooth Party Speaker  
43190553**

**anko**



## Warning

	<p>CAUTION RISK OF ELECTRIC SHOCK DO NOT OPEN</p>	
<p>The lightning flash with arrowhead symbol, with an equilateral triangle is intended to alert the user to the presence of uninsulated dangerous voltage within the products enclosure that may be sufficient magnitude to constitute a risk of electric shock to persons.</p>	<p>CAUTION: TO REDUCE THE RISK OF SHOCK, DO NOT REMOVE COVER (OR BACK). NO USER SERVICEABLE PARTS INSIDE REFER SERVICING TO QUALIFIED SERVICE PERSONNEL.</p>	<p>The exclamation point within an equilateral triangle is intended alert the user to the presence of important operating and maintenance (servicing) instructions in the literature accompanying the appliance.</p>

### Important precautions:

- 1.The apparatus shall not be exposed to dripping or splashing and that no objects filled with liquids, such as vases, shall be placed on the apparatus.
- 2.Minimum distances 100 cm around the apparatus for sufficient ventilation.
- 3.The ventilation should not be impeded by covering the ventilation opening with items, such as news papers, table-cloths or curtains.
- 4.No naked flame sources such as lighted candles, should be placed on the apparatus.
- 5.When the mainsplug or and appliance coupler is used as the disconnect device, the disconnect device shall remain readily operable.
- 6.Working temperature: -10 °C ~ +45 °C.
- 7.Battery cannot be subjected to high or low extreme temperatures, low air pressure at high altitude during use, storage or transportation.
- 8.Replacement of a battery with an incorrect type that can result in an explosion or the leakage of flammable liquid or gas.
- 9.Disposal of a battery into fire or a hot oven, or mechanically crushing or cutting of a battery, that can result in an explosion.
- 10.Leaving a battery in an extremely high temperature surrounding environment that can result in an explosion or the leakage of flammable liquid or gas.
- 11.A battery subjected to extremely low air pressure that may result in an explosion or the leakage of flammable liquid or gas.
- 12.The use of apparatus in moderate climates.
- 13.Attention should be drawn to the environmental aspects of battery disposal.
- 14.Batteries shall not be exposed to excessive heat such as sunshine, fire or the like.
- 15.Excessive sound pressure from earphones and headphones can cause hearing loss.
- 16.The internal battery is non-user replaceable.
- 17.Do not use this apparatus near the water.

## Contents

- 1.Important Safety Instructions
  - Before Use this Speaker
- 2.Your Party Speaker
  - Introduction
  - What's in the box
  - Overview of the Top control panel
  - Overview of the Rear panel
  - Overview of the remote control
3. Get started
  - Connect power
  - Prepare the remote control
  - Turn ON
  - Charging the internal Battery
  - Internal Battery Level indicator
- 4.Play
  - Basic key play operations
  - Play from USB
- 5.Listen to radio
  - Turn to FM radio stations
- 6.Connect with Bluetooth
- 7.Connect with Line-in
- 8.Connect with Wired Microphone/Guitar
9. Production information
  - Specification
  - USB play ability information
10. Troubleshooting
- 11.Warranty

## 2. Your Party Speaker

### Introduction

#### With this unit, you can:

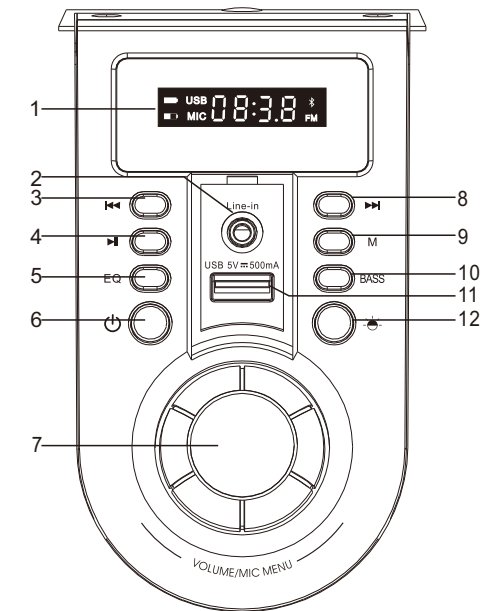
- Enjoy audio from USB storage Devices, and other external device;
- Listen to radio stations.

#### What's in the box

Check and identify the contents of your package:

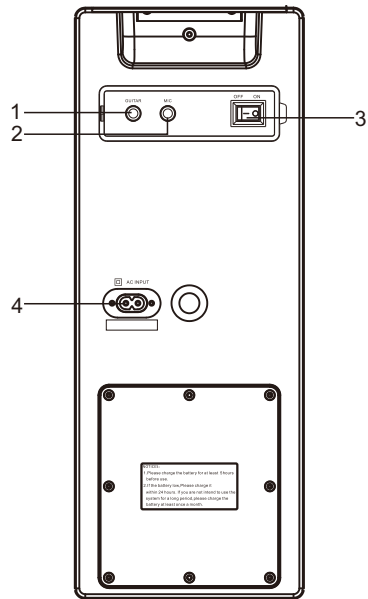
- Speaker
- Remote control
- User manual
- Line-in/FM Antenna Cable( the same one cable)
- AC Power cable

## Overview of the Top control panel



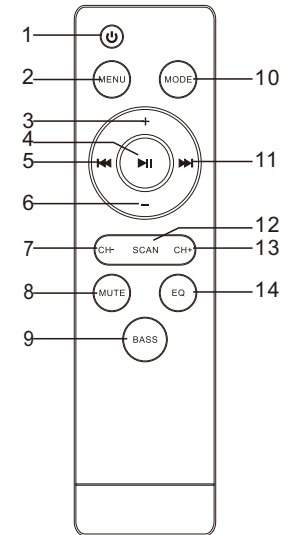
1. Display Window
2. Line-in Input jack
3. Previous button
4. Play/Pause button
5. EQ button
6. Power ON/OFF button
7. Volume/MIC Menu button
8. Next button
9. Mode button
10. Bass button
11. USB Input jack
12. LED ON/OFF button

## Overview of the Rear Panel



1. Guitar Input jack
2. Microphone Input jack
3. Power ON/OFF Button
4. AC Power Input jack

## Overview of the Remote Control



1. Power function key
2. Menu function key
3. Volume+ function key
4. Play/Pause function key
5. Previous function key
6. Volume- function key
7. Channel- function key
8. Mute function key
9. Bass function key
10. Mode function key
11. Next function key
12. Scan function key
13. Channel+ function key
14. EQ function key

### 3. Get started

#### Caution

- Use of controls or adjustments or performance of procedures other than herein may result in hazardous radiation exposure or other unsafe operation.

Always follow the instructions in this chapter in sequence.

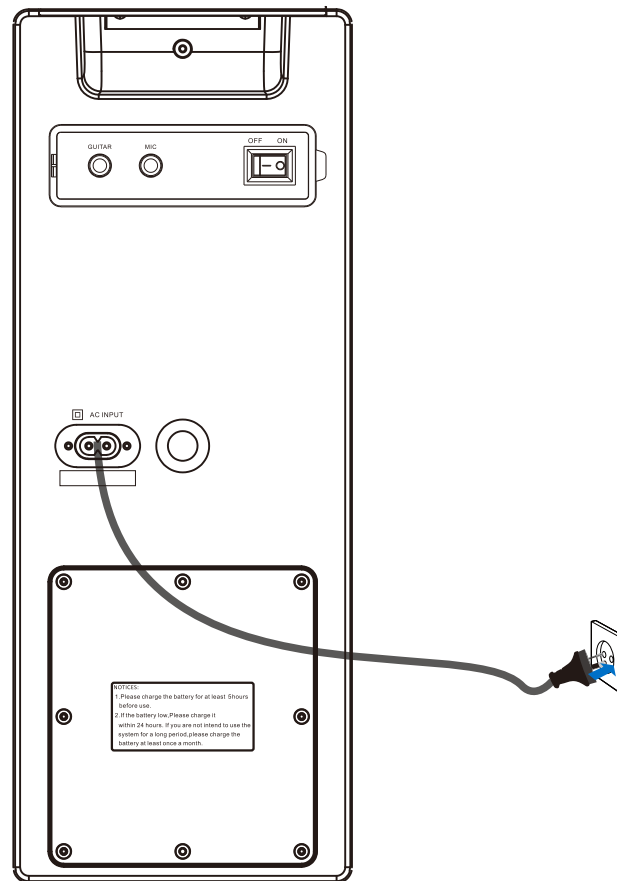
### Connect power

#### Caution

- Risk of product damage! Ensure that the power supply voltage corresponds to the voltage printed on back or the underside of the unit.
- Risk of electric shock! When you unplug the AC power cord, always pull the plug from the socket. Never pull the cord.

Before you connect the AC power cord, make sure that you have completed all other connections

### Connect the power cable to the wall socket:



## Prepare the remote control



### To insert the remote control batteries:

1. Open the battery compartment.
2. Insert 2 x AAA batteries with correct polarity (+/-) as indicated. The 2xAAA battery not include in our products, please purchase from Authorized Seller.
3. Close the battery compartment.

### Please Note:

- If you are not going to use the remote for a long time, remove the batteries.
- Do not use old and new or different type of batteries in combination. Batteries contain chemical substances, so they should be disposed of properly.

### Turn On

1. Connect the AC power cable and plug to the wall socket;
2. Press the "POWER" button to a "ON" status to power on the speaker.  
The speaker will be powered by AC power and set the power switch on rear panel to ON position.
3. Press the POWER button on the top panel or on the remote control to turn it into Standby mode, Press the POWER button on the top panel or on the remote control to turn off the speaker and get into Standby mode, press for a few seconds again to turn on the speaker.

### Caution:

If you do not use this unit for a while, please switch the "POWER" button to "OFF" status, and disconnect the AC power cable of this unit.

### Charging the internal Battery

The speaker comes with a built-in rechargeable battery, follow the below steps to charge it: If the speaker is at power off status:

1. Connect the power cable and plug to the wall socket on the rear panel to start charging, the left indicator light will light on in red.
2. If fully charged, the left indicator light will light on in green.

If the speaker is power on status:

1. Connect the power cable and plug to the wall socket on the rear panel to start charging.
2. There is a battery indicator light on the bottom left corner of the display panel, it will light up and slowly flash, that is being charge.
3. When the battery indicator light on the top left corner of the display pane light up, the battery is fully charged, then unplug the power cable to stop charging, both top and bottom indicator light will turn off automatically.

### Intrenal Battery Level indicator

1. When the battery is running out, the battery indicator light on the bottom left corner light up and quickly flash.
2. During playing, if you hear a "DI" sound from the speaker means the battery is running out and the speaker will turn off after 1 minute.
3. Please pay attention to the speaker sound, if the sound becomes abnormal, please charge the internal battery on time to keep the battery life.

**Note:** please fully charge the product when it is not going to be used for a long time and charge once a month to keep longer battery life.

## 4.Play

### Basic key play operations

You can control play through following operations.

Key	Function
	<ol style="list-style-type: none"> <li>1. Press this previous button for previous track when playing music on USB or Bluetooth mode.</li> <li>2. In FM mode, short press this button to adjust FM frequency for 0.1MHz, or long press this button to search FM radio from 108-87.5MHz automatically.</li> </ol>
	<ol style="list-style-type: none"> <li>1. Press this PLAY/PAUSE button to play or pause the music when playing music on USB or Bluetooth mode.</li> <li>2. Or press for a few seconds to disconnect the bluetooth if speaker at Bluetooth mode.</li> </ol>
	Press this EQ button to switch the different music effect. <b>Note:</b> It cannot switch if the BASS is on.
	Press the POWER button to turn off the speaker and get into Standby mode, press for a few seconds again to turn on the speaker.
	Insert the Line-in cable to external device.
	Insert the USB driver to USB socket to play music.
	<ol style="list-style-type: none"> <li>1. Press this previous button for previous track when playing music on USB or Bluetooth mode.</li> <li>2. In FM mode, short press this button to adjust FM frequency for 0.1MHz, or long press this button to search FM radio from 87.5-108MHz automatically.</li> </ol>
	Press this M button for function mode switching between Bluetooth/LINE/USB/FM modes.
	<ol style="list-style-type: none"> <li>1. Turn this VOLUME knob for volume increase or decrease when playing music, the display will show from U 00 to U 40 .</li> <li>2. Press this VOLUME knob for one time to turn to the echo volume level of microphone if using wired microphone, the display will show " E ", then turn the knob to adjust the sound volume of microphone echo.</li> <li>3. Press this VOLUME knob for twice to turn to the volume level of microphone if using wired microphone, the display will show " C ", then turn the knob to adjust the sound volume of microphone.</li> <li>4. Press this VOLUME knob for twice to turn to the volume level of guitar if using wired guitar, the display will show " C ", then turn the knob to adjust the sound volume of guitar.</li> </ol>
	Press this BASS button for turn on or off the bass strong effect.
	Press this LED button for turn on and off, or switch the light effect.
	AC Input jack
	Insert the 6.35 wired microphone to the MIC jack.
	Insert the 6.35 Guitar to the GUITAR jack.

### Play from USB

Make sure that the USB storage device contains playable audio in supported MP3 format.

1. Press ◀◀ or ▶▶ key to select
2. Press ▶⏸ key to play or pause

### Important:

USB socket is only for music playing, not support charging.

The MAX memory size of USB:32Gb

USB memory device should be formatted as FAT32.

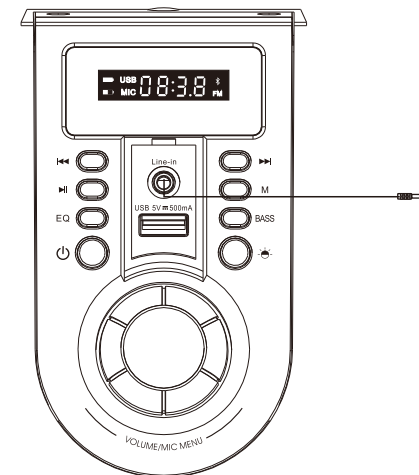
## 5.Listen to radio

### Turn on FM radio stations

#### Note

- Make sure that you have connected and fully extended the supplied FM antenna.
- The FM Antenna cable is the same as Line-in cable.

- 1.Insert the Line-in/ FM Antenna Cable to the Line-in jack
- 2.Press the M/ MODE button on the Top Control panel or on the remote control to switch to FM mode
- 3.Short press ◀◀ button to adjust the FM frequency for 0.1MHz, or long press to search the FM radio automatically from 108~87.5MHz.
- 4.Short press ▶▶ button to adjust the FM frequency for 0.1MHz, or long press to search the FM radio automatically from 87.5~108MHz.
- 5.Press SCAN key on the remote control to search FM radio stations automatically.
- 6.Press CH- / CH+ key on the remote control to select the previous or next radio station.



## 6. Connect with Bluetooth

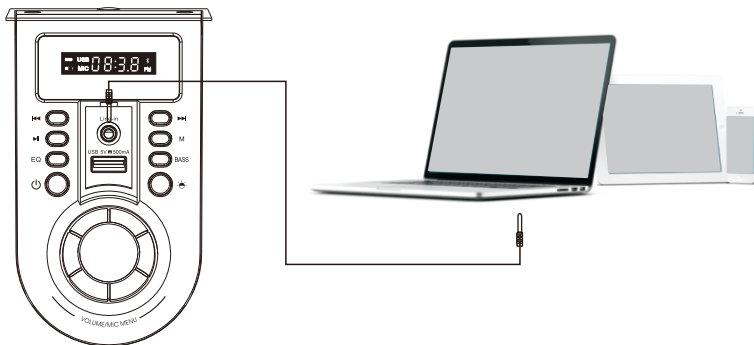
1. Press the M/MODE button on the Top Control panel or on the remote control to switch to the BLUETOOTH CONNECT mode, ( **BLUE** ) will be displayed on the screen.
2. Open the Bluetooth on the external device (must have Bluetooth function), and the name "43190553" will show on the device, please try to connect it.
3. Once connected, you can hear a small sound from the speaker.
4. You can use the ◀◀ or ▶▶ key on the Top Control panel to control the tracks of the external device.
5. Press ▶|| button on the top control panel to disconnect the bluetooth. (This ▶|| on remote control not work for bluetooth disconnect function.)

**Note:** no password needed for connecting.

## 7. Connect with Line-in

1. Press the M/MODE button on the Top Control panel or on the remote control to switch to the Line-in mode, (LINE) will be displayed on the screen.
2. Connect an external audio source use a supplied line-in cable.
3. Once connected, turn on your external device music

**Caution:** Please turn off party speaker before connect Line-in cable in order to avoid unexpected noise.



## 8. Connect with Wired Microphone/Guitar

MIC



Insert 6.35mm wired microphone to play with microphone.

GUITAR



Insert 6.35mm wired guitar to play with guitar.



When playing with the wired microphone/guitar, please press this knob to adjust the sound volume level of microphone/guitar.

### Microphone:

1. Turn this VOLUME knob for volume increase or decrease when playing music, the display will show " U ".
2. Press this VOLUME knob for one time to turn to the microphone echo volume adjust mode, the display will show " E ", then turn the knob to increase or decrease the microphone echo volume if using wired microphone..
3. Press this VOLUME knob for twice to turn to the microphone volume adjust mode, the display will show " C ", then turn the knob to increase or decrease the microphone volume if using wired microphone.

### Guitar:

If using wired guitar, the volume instruction the same as above 3 of microphone.

### Important Notes

While using the microphone, avoid being put the microphone opposite the bass of Speaker, as they may have Whistler Noisy.

To get the best singing performance, keep the microphone within 5-15cm from your mouth and at a 45 degree angle.

**Caution:** Please do not put the microphone directly face to the speaker, it may damage the speaker.



## 9.Product information

### Specifications

<b>Amplifier</b>	
Output power	60W
Input Sensitivity	≥500mV
<b>FM</b>	
FM range	87.5-108MHZ
<b>Speaker</b>	
Treble Speaker	2 Inch
Bass Speaker	5.25 Inch
<b>General information</b>	
AC Power	AC220-240V~ 50Hz
Battery	Rechargeable battery

### USB play ability information

#### Compatible USB storage devices:

- USB flash memory (USB 2.0 or USB 1.1)
- USB flash players(USB 2.0 or USB 1.1)
- Memory cards (requires an additional card reader to work with this apparatus)

#### Supported for formats:

- USB or memory file format FAT32
- MP3 bitrate (data rate):32-320Kbps and variable bitrate
- Directory nesting up to a maximum of 8 levels
- Number of albums/folders:maximum 99
- Number of tracks/titles:maximum 999
- File name in Unicode UTF8 (maximum length:32 bytes)

#### Unsupported formats:

- Empty albums: an empty album is an album that does not contain MP3.
- Unsupported the file formats are skipped. For example, Word documents (.doc) or MP3 files with extension .dlf are ignored and don't play.

## 10.Troubleshooting



### Warning

- Never remove the casing of this speaker.

If you encounter problems when using this speaker,check the following points before requesting service.

#### No power

- Ensure that the AC power plug of the speaker is connected properly.
- Ensure that there is power at the AC outlet.

#### No sound or poor sound

- Adjust the volume.
- Disconnect the headphones.
- Check that the speakers are connected correctly.
- Check if the stripped speaker wires are clamped.

#### No response from the speaker

- Disconnect and reconnect the AC power plug, then turn on the speaker again.

#### Remote control does not work

- Before you press any function button, first select the correct source with the remote control instead of the main unit.
- Reduce the distance between the remote control and the unit.
- Insert the battery with its polarities(+/- signs) aligned as indicated.
- Replace the battery.
- Aim the remote control directly at the sensor on the front of the speaker.

#### USB device not supported

- The USB device is incompatible with the unit. Try another one.
- The USB device is incompatible with the speaker or the USB damaged.

#### Poor radio reception

- Increase the distance between the speaker and your TV.
- Full extend the FM antenna.
- Put the speaker at a open area to search radio.

#### Bluetooth can not search or connect

- If other devices are connected to the machine, please disconnect other Bluetooth devices and use the new device to search and connect again.
- Turn off the Bluetooth of your device , then turn on your device Bluetooth again, search and connect. Or turn off the speaker and turn on again and switch to Bluetooth mode.

### 12 Month Warranty

---

Thank you for your purchase from Kmart.

Kmart Australia Ltd warrants your new product to be free from defects in materials and workmanship for the period stated above, from the date of purchase, provided that the product is used in accordance with accompanying recommendations or instructions where provided. This warranty is in addition to your rights under the Australian Consumer Law.

Kmart will provide you with your choice of a refund, repair or exchange (where possible) for this product if it becomes defective within the warranty period. Kmart will bear the reasonable expense of claiming the warranty. This warranty will no longer apply where the defect is a result of alteration, accident, misuse, abuse or neglect.

Please retain your receipt as proof of purchase and contact our Customer Service Centre on 1800 124 125 (Australia) or 0800 945 995 (New Zealand) or alternatively, via Customer Help at [Kmart.com.au](http://Kmart.com.au) for any difficulties with your product. Warranty claims and claims for expense incurred in returning this product can be addressed to our Customer Service Centre at 690 Springvale Rd, Mulgrave Vic 3170.

Our goods come with guarantees that cannot be excluded under the Australian Consumer Law. You are entitled to a replacement or refund for a major failure and compensation for any other reasonably foreseeable loss or damage. You are also entitled to have the goods repaired or replaced if the goods fail to be of acceptable quality and the failure does not amount to a major failure.

For New Zealand customers, this warranty is in addition to statutory rights observed under New Zealand legislation.