

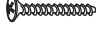
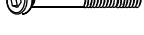



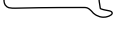

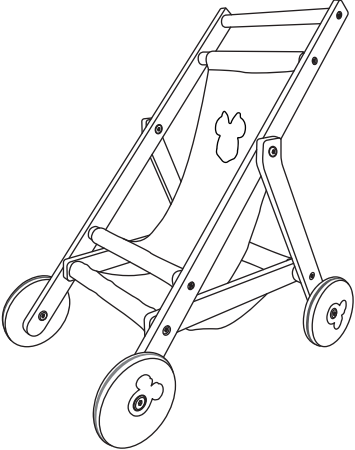
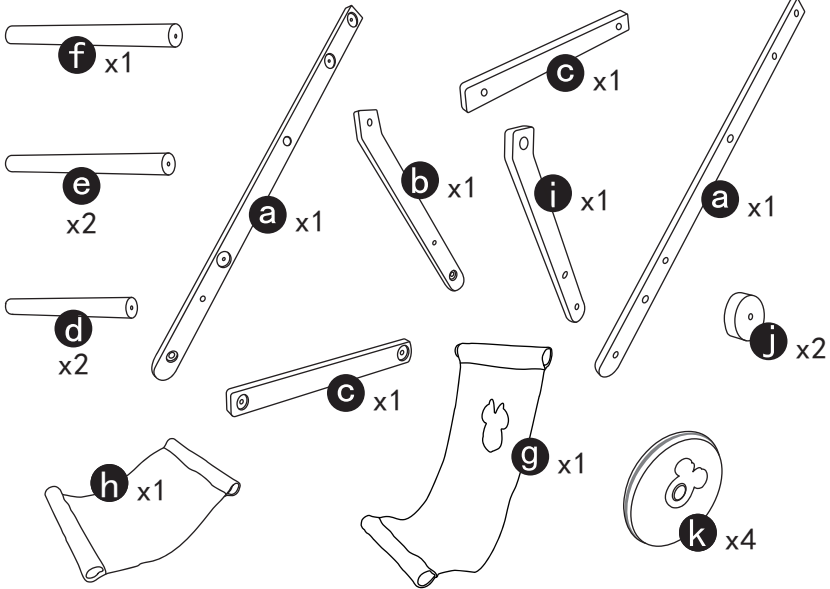
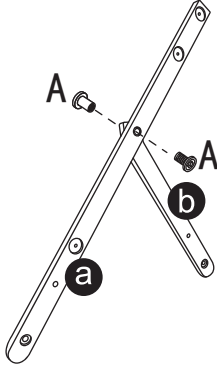
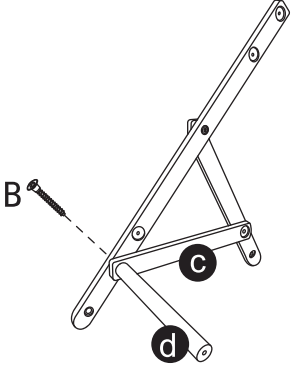
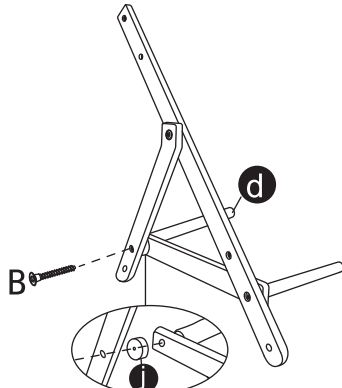
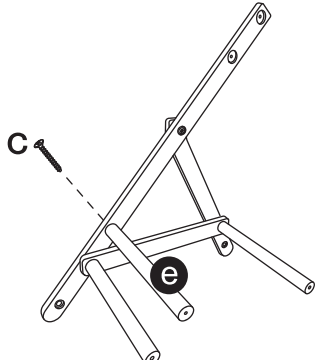


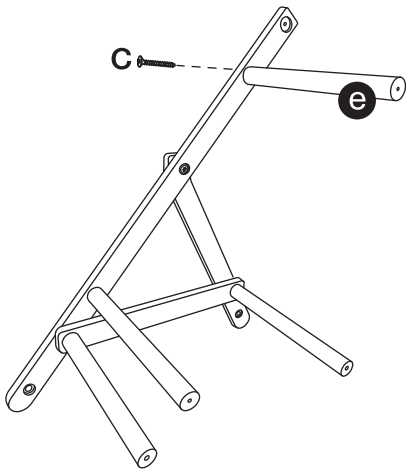
# Disney Wooden Minnie Pram

## Assembly Instruction

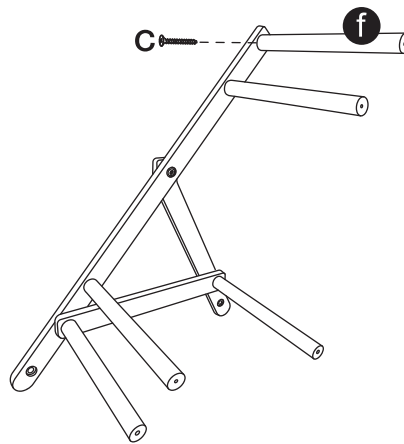
HARDWARE	PARTS LIST
<p><b>A</b>  x2</p> <p><b>B</b>  x4</p> <p><b>C</b>  x6</p> <p><b>D</b>  x4</p> <p><b>E</b>  x4</p> <p><b>F</b>  x4</p> <p> x2</p> <p> x1</p> <p>The following tool (not included) is required for assembly :</p> <p>Cross screwdriver</p>  <p><b>WARNING:</b> THIS IS A TOY, INTENDED FOR ROLE PLAY ONLY.</p> <p><b>WARNING:</b> CHOKING HAZARD – SMALL PARTS, NOT SUITABLE FOR CHILDREN UNDER 3 YEARS.</p> <p><b>CAUTION:</b> ADULT ASSEMBLY IS REQUIRED. UNASSEMBLED PARTS CONTAIN SCREWS AND WITH FUNCTIONAL SHARP POINTS, PLEASE KEEP UNASSEMBLED PARTS AWAY FROM SMALL CHILDREN.</p> <p><b>CAUTION:</b> PLEASE CHECK CONDITION OF ITEM REGULARLY AS SCREWS MAY LOOSEN WITH USE OVER TIME. TIGHTEN SCREW FITTINGS IF NECESSARY</p> <p>Keycode: 43195596 MADE IN CHINA © KMART AUSTRALIA LIMITED</p> 	
<b>ASSEMBLY</b>	
<p><b>Step 1</b></p> 	<p><b>Step 2</b></p> 
<p><b>Step 3</b></p> 	<p><b>Step 4</b></p> 

# ASSEMBLY

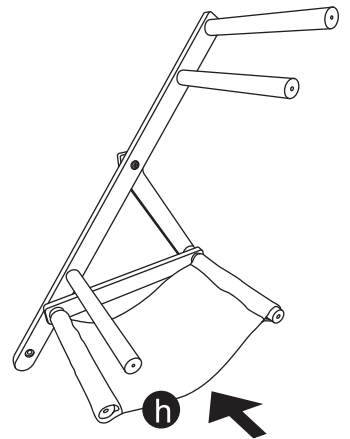
## Step 5



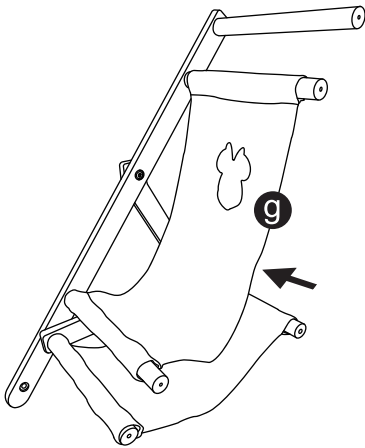
## Step 6



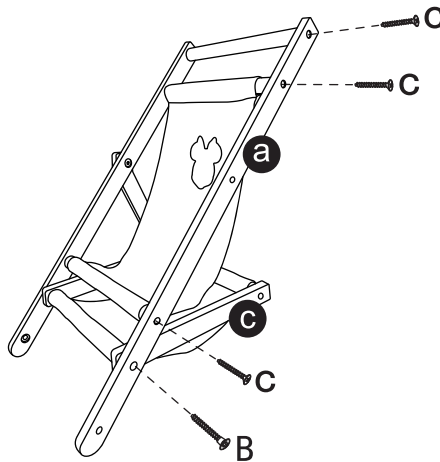
## Step 7



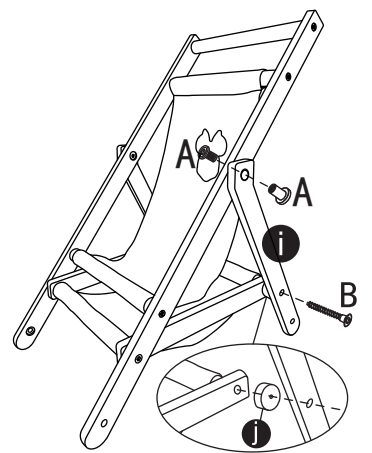
## Step 8



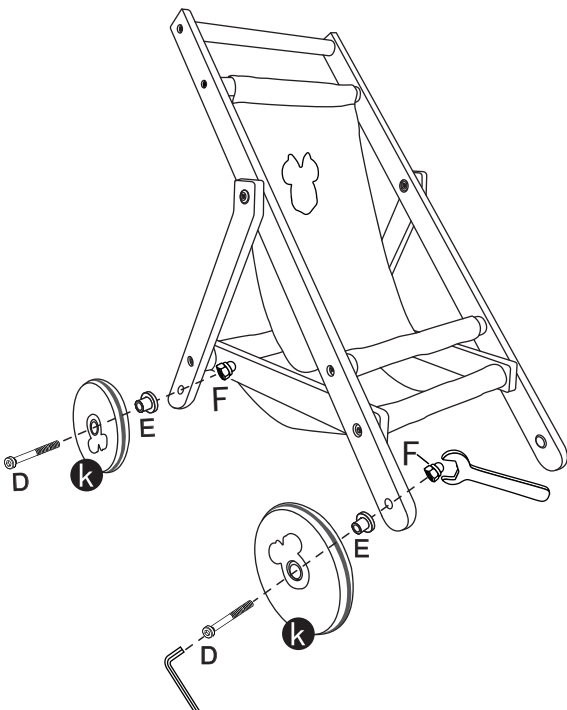
## Step 9



## Step 10



## Step 11



## Step 12

