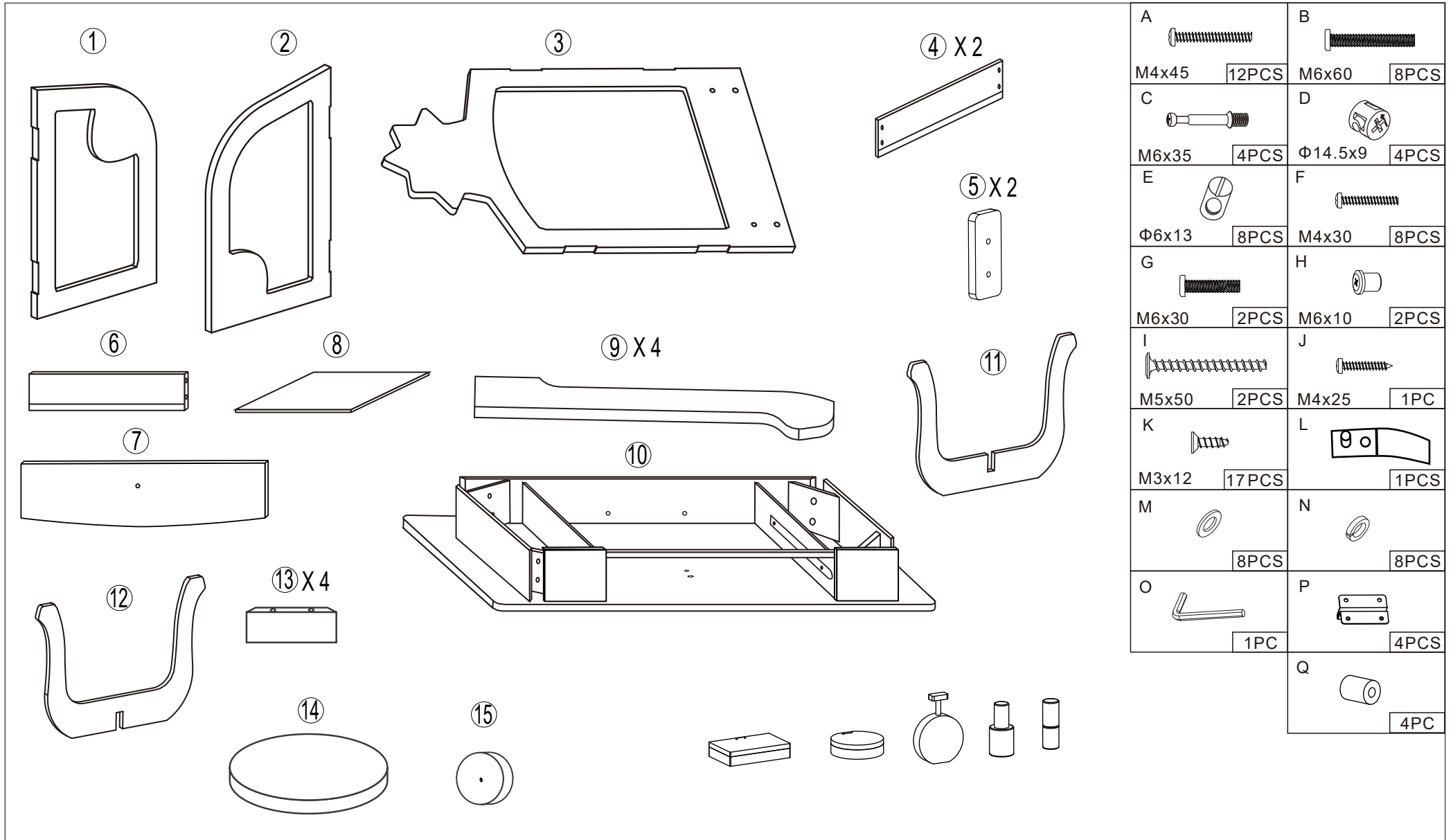


Assembly Instructions



⚠ CAUTION:

ADULT ASSEMBLY IS REQUIRED. HARDWARE CONTAINS SCREWS WITH SHARP POINTS. KEEP UNASSEMBLED PARTS OUT OF THE REACH OF SMALL CHILDREN.

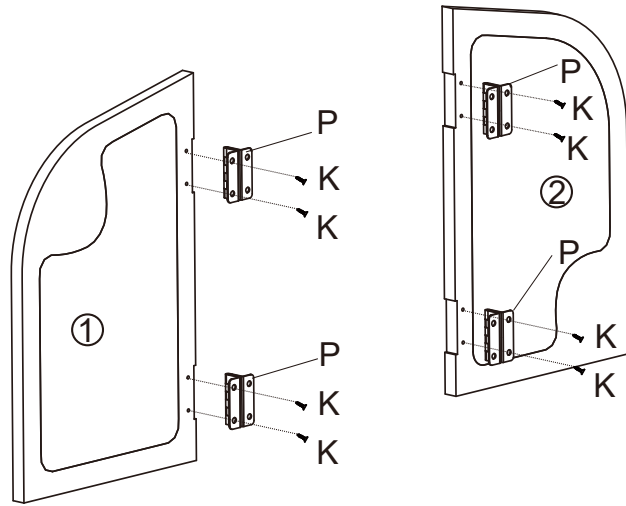
WARNING!

CHILDREN MUST NOT USE THIS PRODUCT UNTIL PROPERLY INSTALLED.
 ADULT SUPERVISION IS REQUIRED. ONLY FOR DOMESTIC USE. FOR INDOOR USE ONLY.
 WARNING: DO NOT STAND ON THE STOOL. DO NOT STAND OR SIT ON THE TABLE. DO NOT USE THE STOOL AS A STEP LADDER. DO NOT USE THE PRODUCT UNLESS ALL BOLTS, SCREWS AND KNOBS ARE FIRMLY SECURED. FAILURE TO FOLLOW THESE WARNINGS COULD RESULT IN SERIOUS INJURY. MAXIMUM LOAD LIMIT FOR STOOL: 30KG. INTENDED FOR ROLE PLAY ONLY, PLEASE USE AS INTENDED.

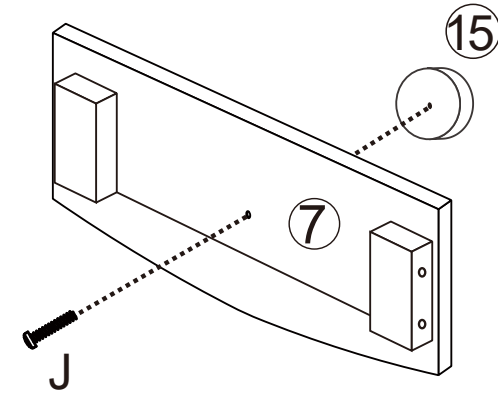
⚠ WARNING

CHOKING HAZARD-SMALL PARTS.
 NOT SUITABLE FOR CHILDREN UNDER 3 YEARS.

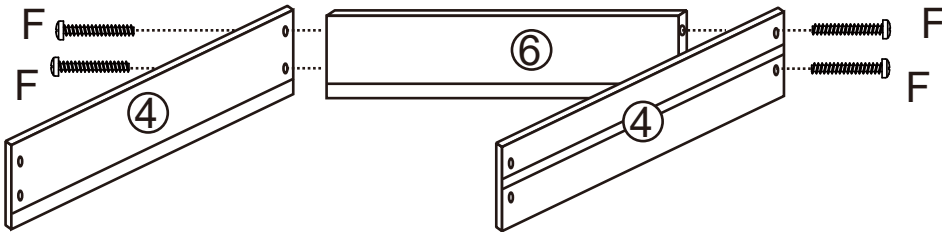
1



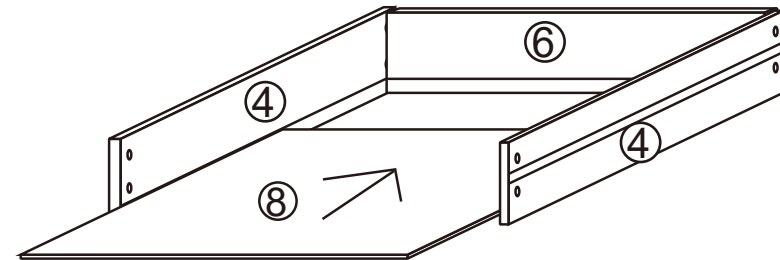
2



3



4



CAUTION:

ADULT ASSEMBLY IS REQUIRED. HARDWARE CONTAINS SCREWS WITH SHARP POINTS. KEEP UNASSEMBLED PARTS OUT OF THE REACH OF SMALL CHILDREN.

WARNING!

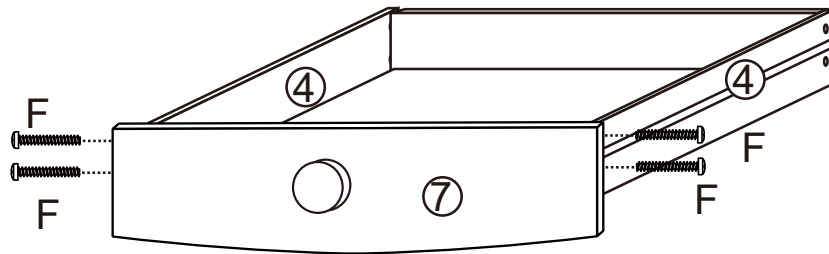
CHILDREN MUST NOT USE THIS PRODUCT UNTIL PROPERLY INSTALLED.
 ADULT SUPERVISION IS REQUIRED. ONLY FOR DOMESTIC USE. FOR INDOOR USE ONLY.
 WARNING: DO NOT STAND ON THE STOOL. DO NOT STAND OR SIT ON THE TABLE. DO NOT USE THE STOOL AS A STEP LADDER. DO NOT USE THE PRODUCT UNLESS ALL BOLTS, SCREWS AND KNOBS ARE FIRMLY SECURED. FAILURE TO FOLLOW THESE WARNINGS COULD RESULT IN SERIOUS INJURY. MAXIMUM LOAD LIMIT FOR STOOL: 30KG. INTENDED FOR ROLE PLAY ONLY, PLEASE USE AS INTENDED.



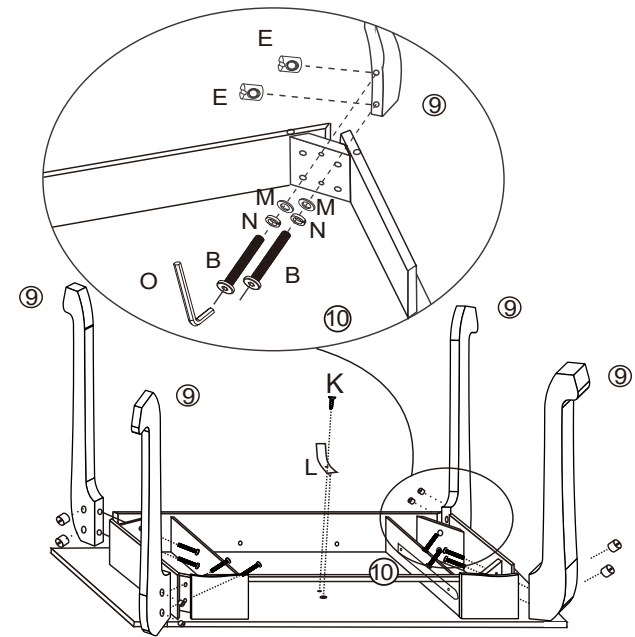
WARNING

CHOKING HAZARD-SMALL PARTS.
 NOT SUITABLE FOR CHILDREN UNDER 3 YEARS.

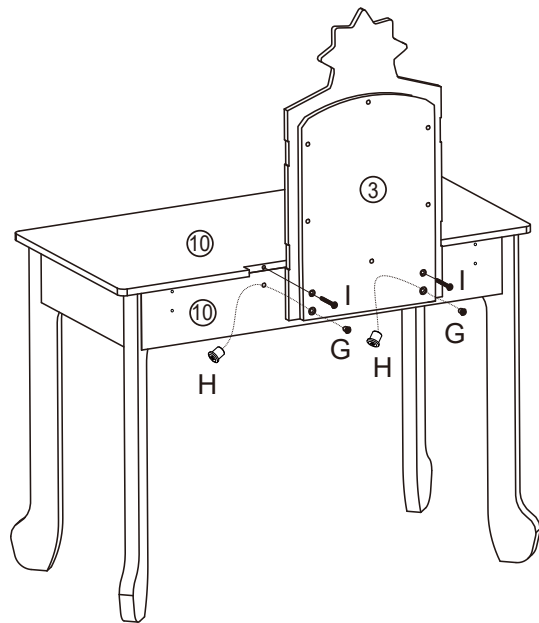
5



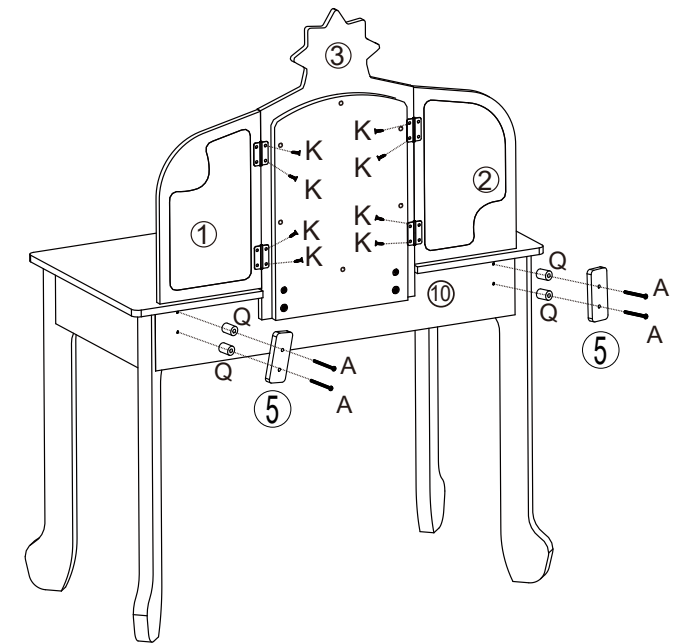
6



7



8



CAUTION:

ADULT ASSEMBLY IS REQUIRED. HARDWARE CONTAINS SCREWS WITH SHARP POINTS. KEEP UNASSEMBLED PARTS OUT OF THE REACH OF SMALL CHILDREN.

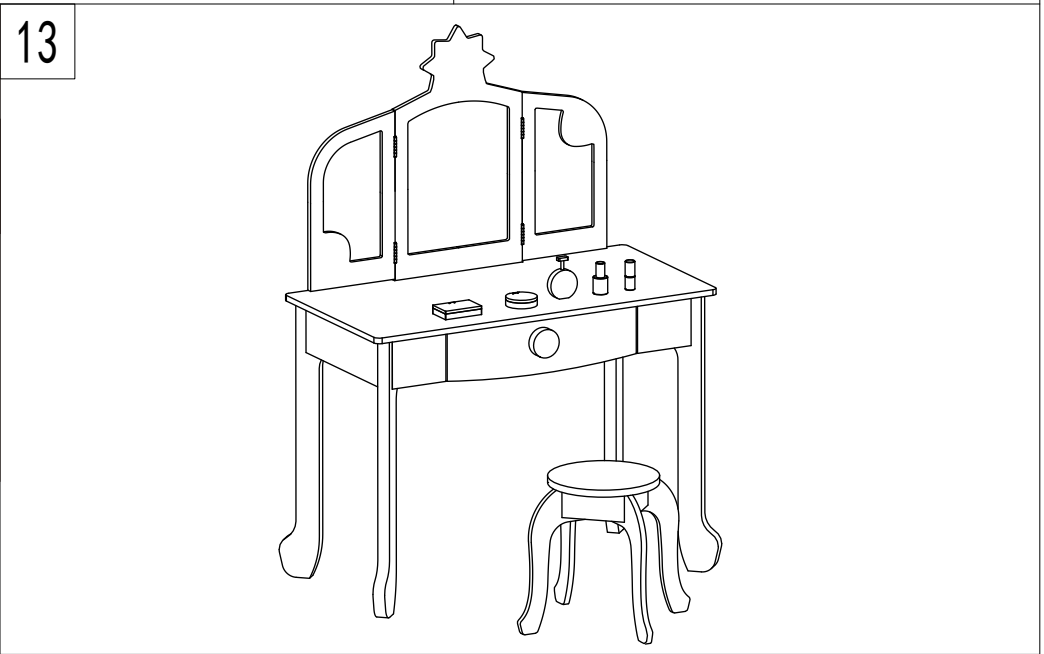
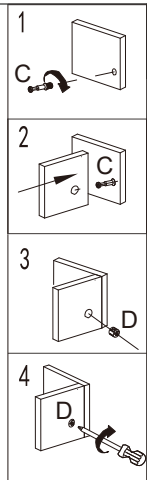
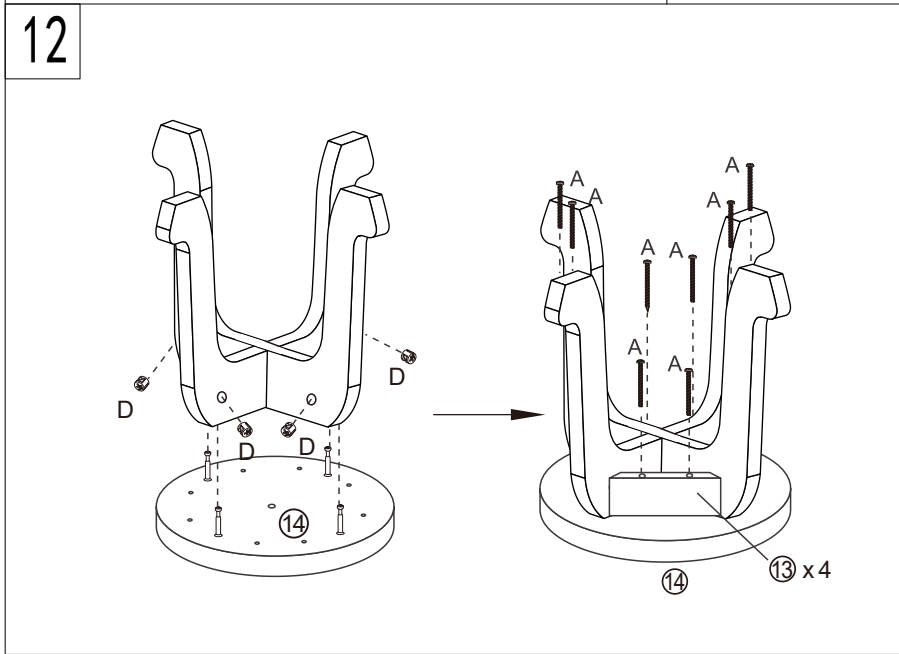
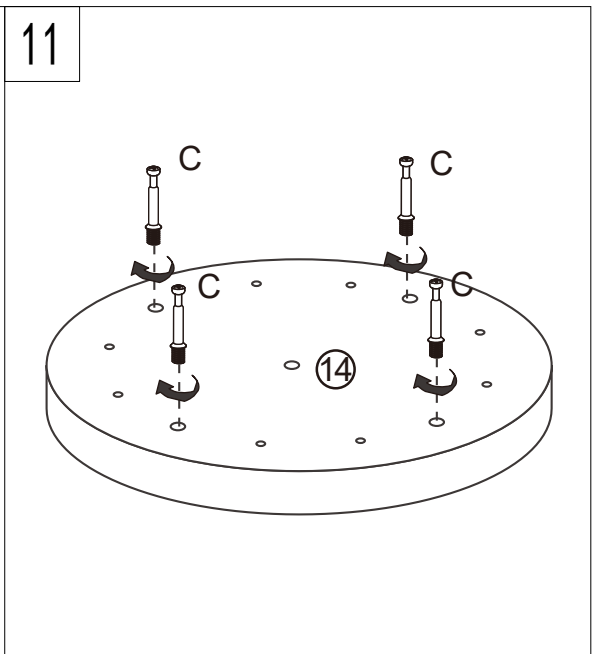
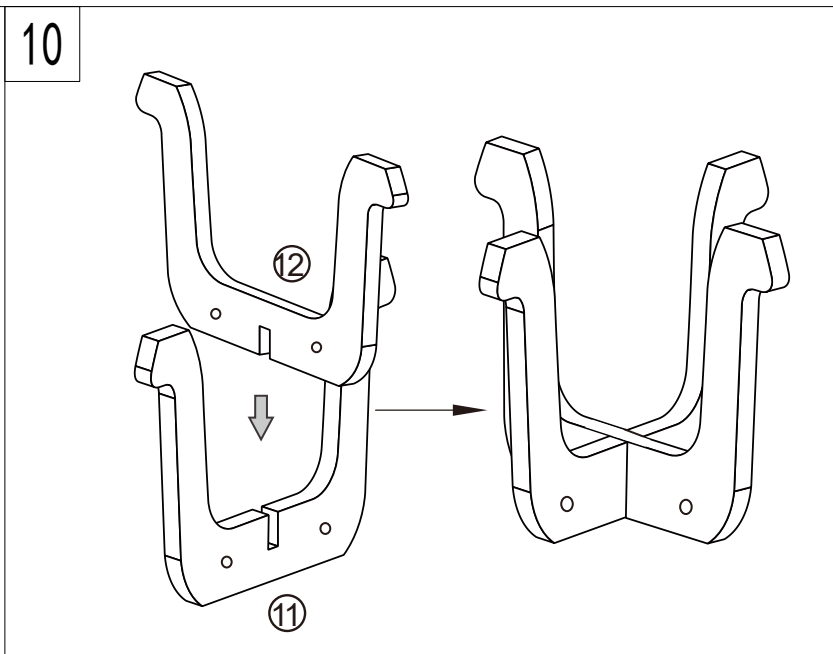
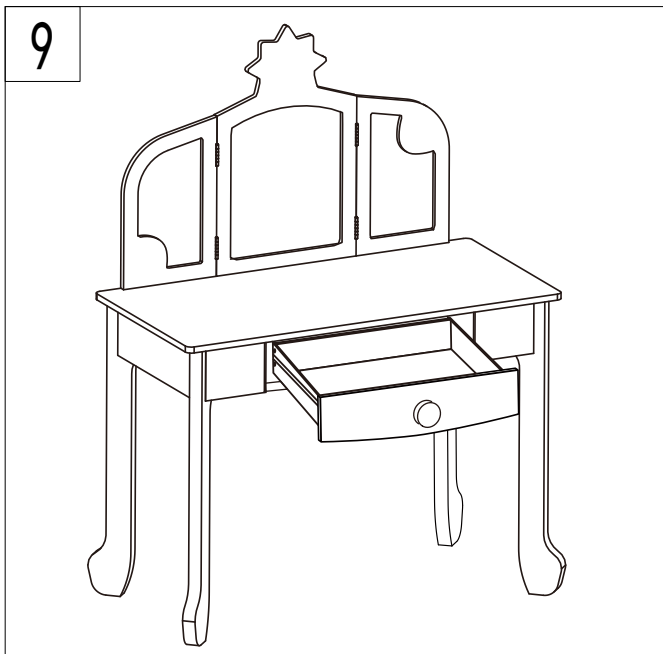
WARNING!

CHILDREN MUST NOT USE THIS PRODUCT UNTIL PROPERLY INSTALLED.
 ADULT SUPERVISION IS REQUIRED. ONLY FOR DOMESTIC USE. FOR INDOOR USE ONLY.
 WARNING: DO NOT STAND ON THE STOOL. DO NOT STAND OR SIT ON THE TABLE. DO NOT USE THE STOOL AS A STEP LADDER. DO NOT USE THE PRODUCT UNLESS ALL BOLTS, SCREWS AND KNOBS ARE FIRMLY SECURED. FAILURE TO FOLLOW THESE WARNINGS COULD RESULT IN SERIOUS INJURY. MAXIMUM LOAD LIMIT FOR STOOL: 30KG. INTENDED FOR ROLE PLAY ONLY, PLEASE USE AS INTENDED.



WARNING

CHOKING HAZARD-SMALL PARTS.
 NOT SUITABLE FOR CHILDREN UNDER 3 YEARS.



CAUTION:

ADULT ASSEMBLY IS REQUIRED. HARDWARE CONTAINS SCREWS WITH SHARP POINTS. KEEP UNASSEMBLED PARTS OUT OF THE REACH OF SMALL CHILDREN.

WARNING!

CHILDREN MUST NOT USE THIS PRODUCT UNTIL PROPERLY INSTALLED.
 ADULT SUPERVISION IS REQUIRED. ONLY FOR DOMESTIC USE. FOR INDOOR USE ONLY.
 WARNING: DO NOT STAND ON THE STOOL. DO NOT STAND OR SIT ON THE TABLE. DO NOT USE THE STOOL AS A STEP LADDER. DO NOT USE THE PRODUCT UNLESS ALL BOLTS, SCREWS AND KNOBS ARE FIRMLY SECURED. FAILURE TO FOLLOW THESE WARNINGS COULD RESULT IN SERIOUS INJURY. MAXIMUM LOAD LIMIT FOR STOOL: 30KG. INTENDED FOR ROLE PLAY ONLY, PLEASE USE AS INTENDED.



WARNING

CHOKING HAZARD-SMALL PARTS.
 NOT SUITABLE FOR CHILDREN UNDER 3 YEARS.