

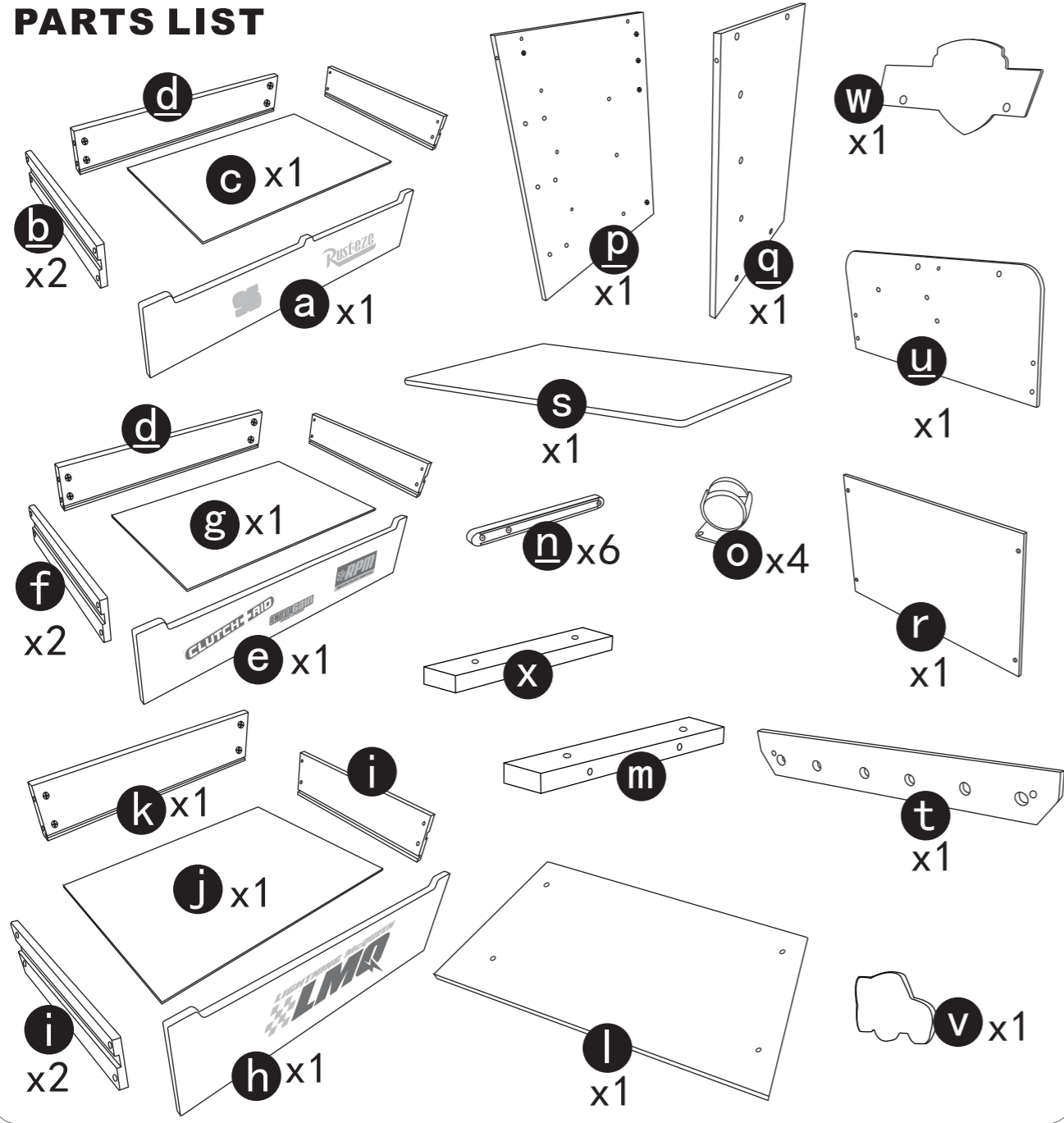
CARS TOOL BENCH SET

Assembly Instruction



3+ years

PARTS LIST

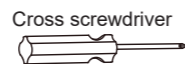


HARDWARE

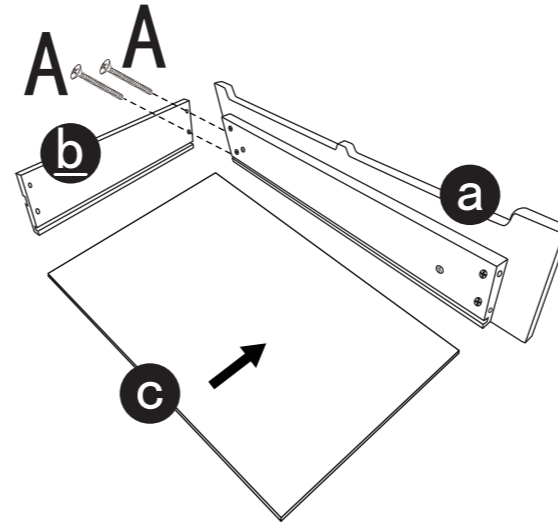
- | | | | | | |
|----------|--|-----|----------|--|-----|
| A | | x45 | E | | x12 |
| B | | x6 | F | | x4 |
| C | | x18 | G | | x1 |
| D | | x16 | H | | x4 |

- | | | | |
|----------|--|--|----|
| I | | | x2 |
|----------|--|--|----|

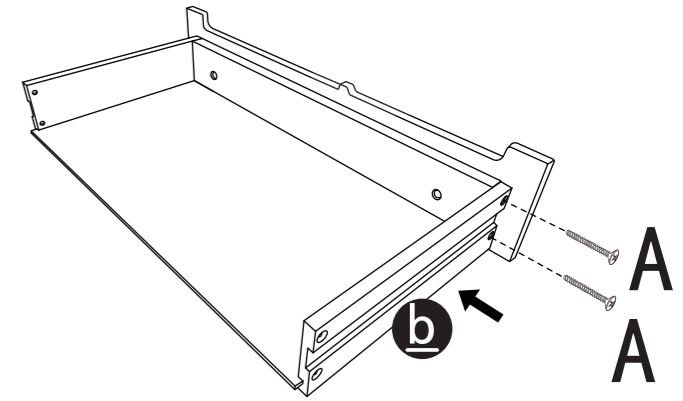
The following tool (not included) is required for assembly :



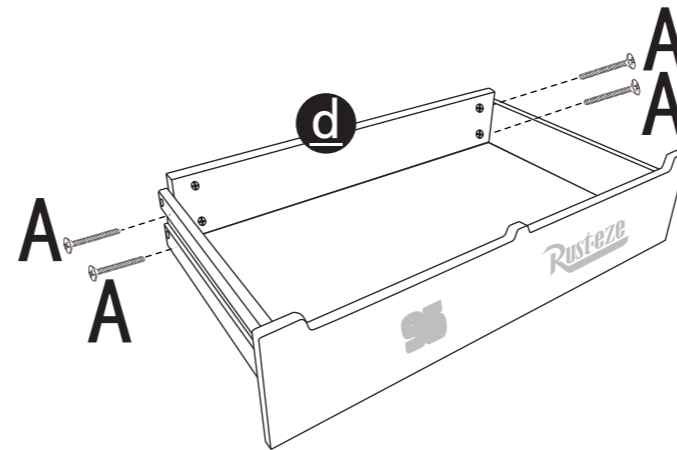
Step 1



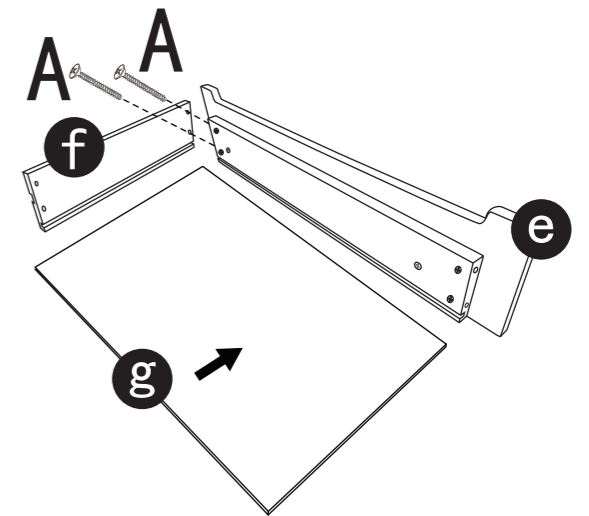
Step 2



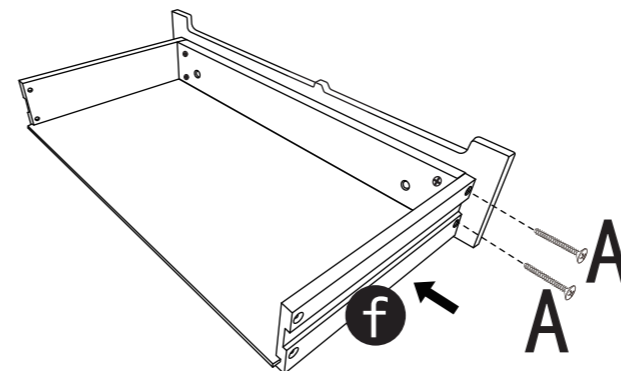
Step 3



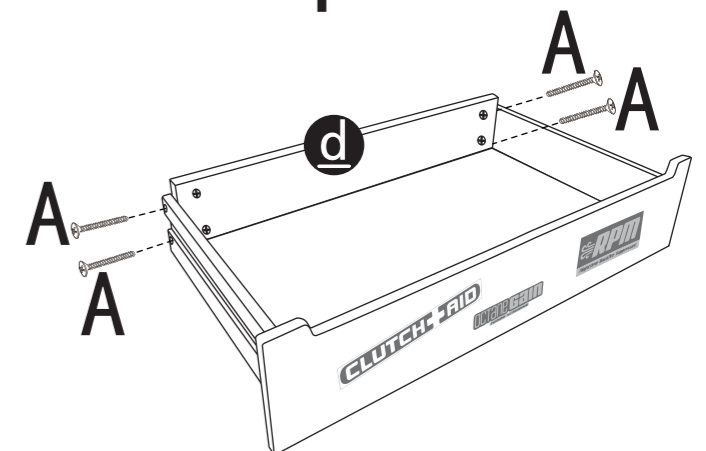
Step 4



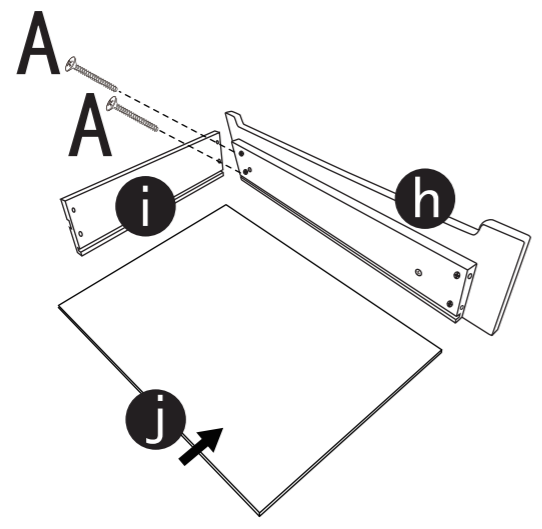
Step 5



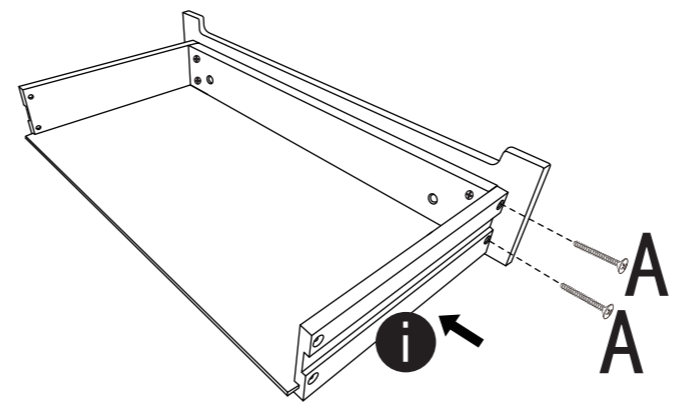
Step 6



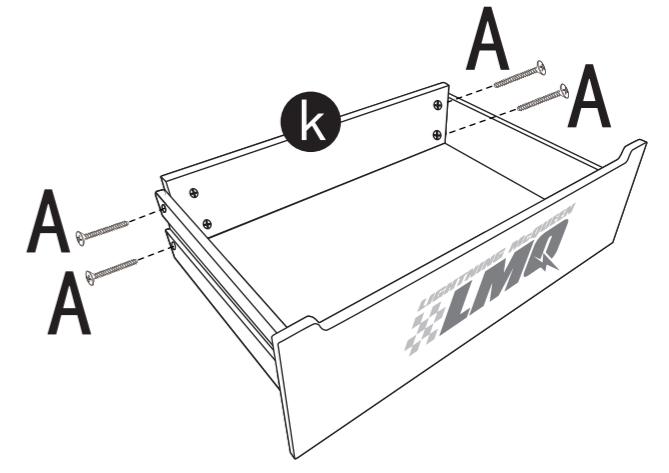
Step 7



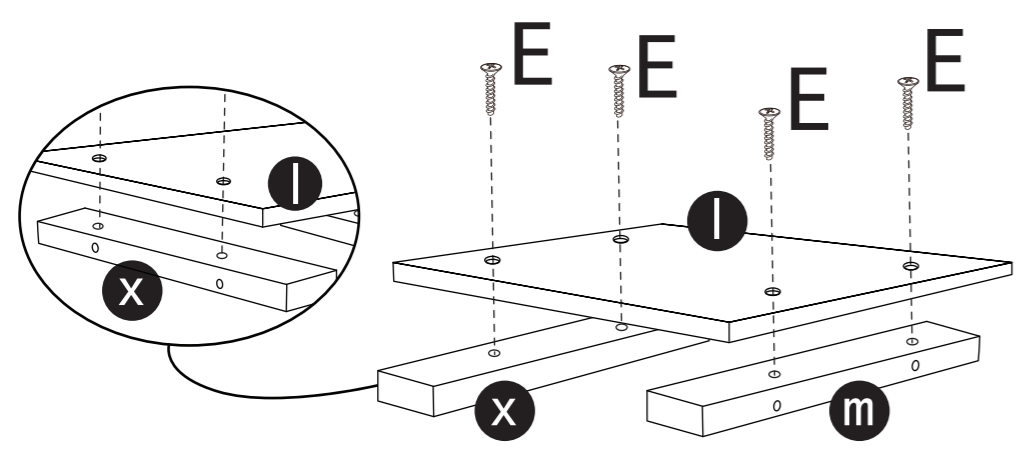
Step 8



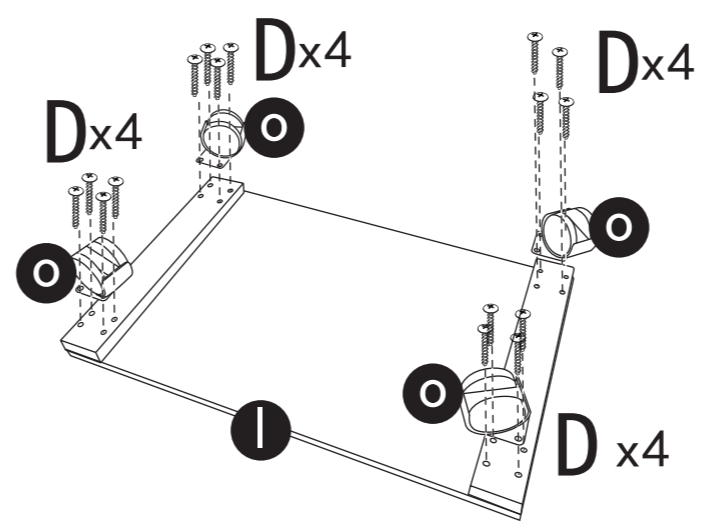
Step 9



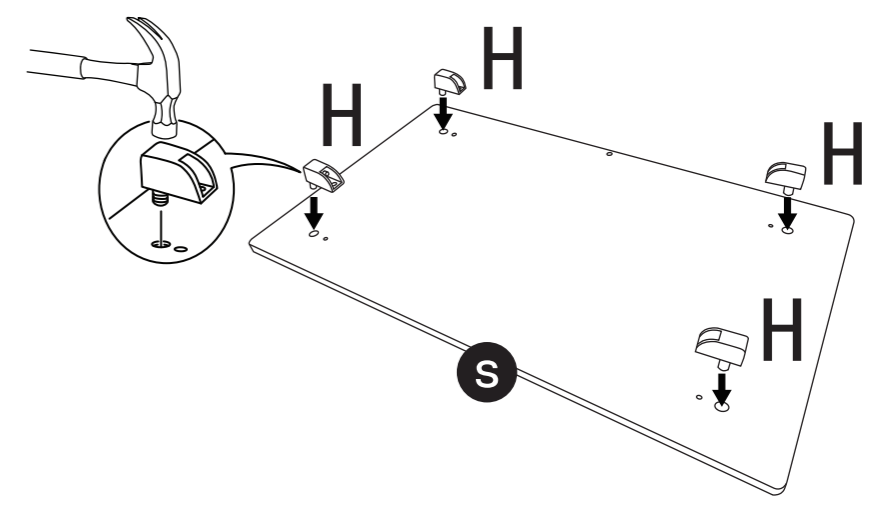
Step 10



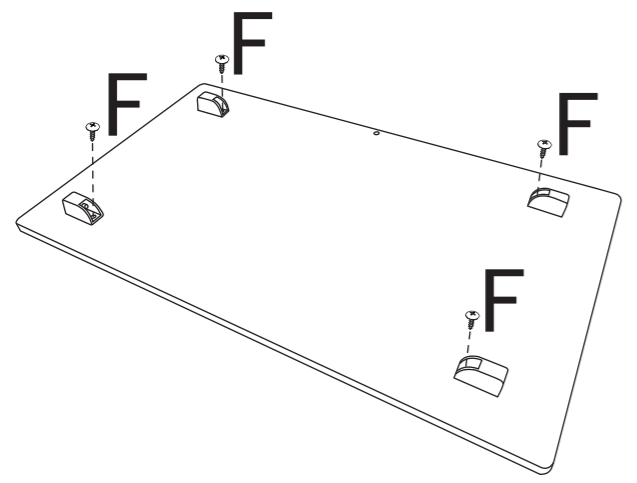
Step 11



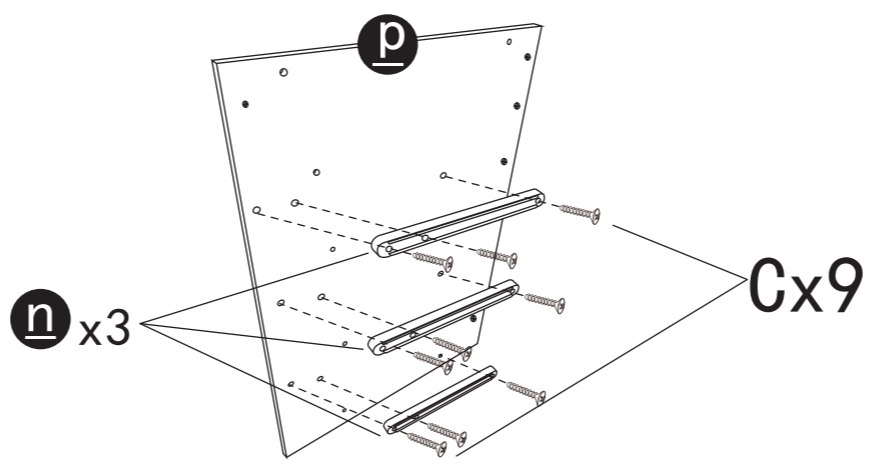
Step 12



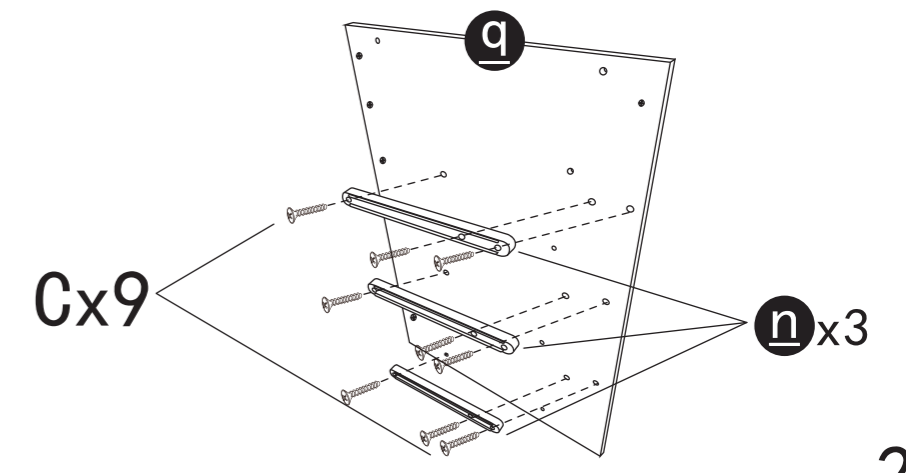
Step 13



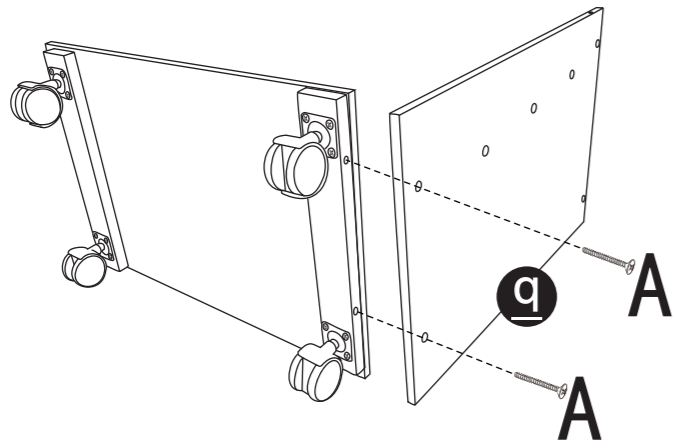
Step 14



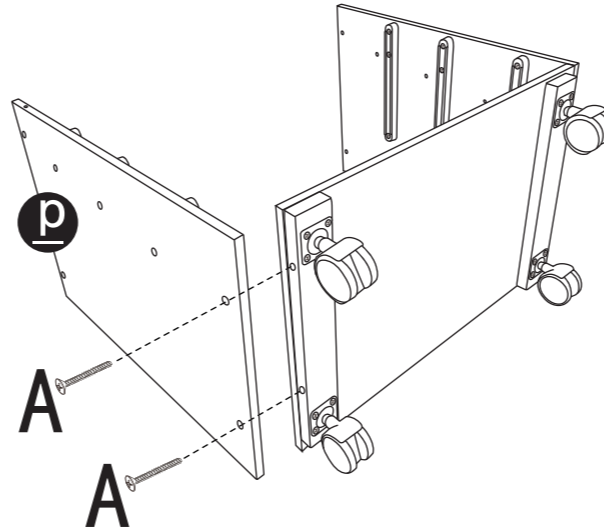
Step 15



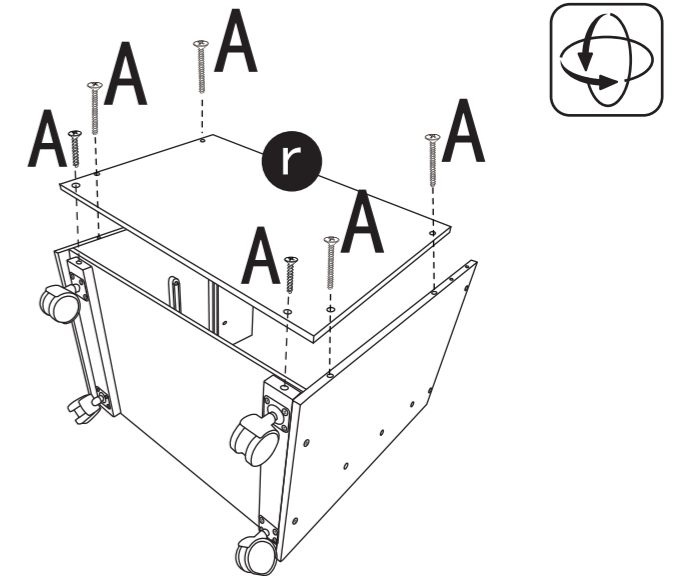
Step 16



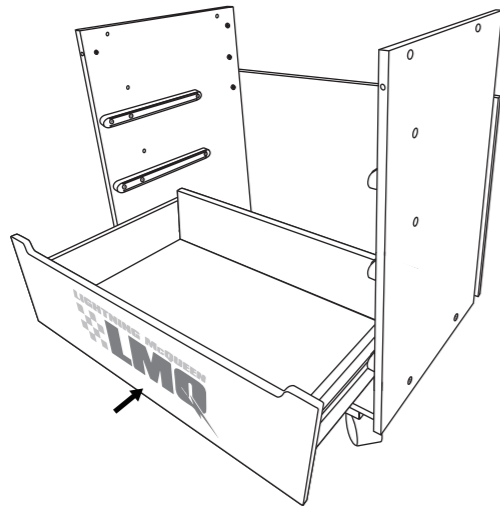
Step 17



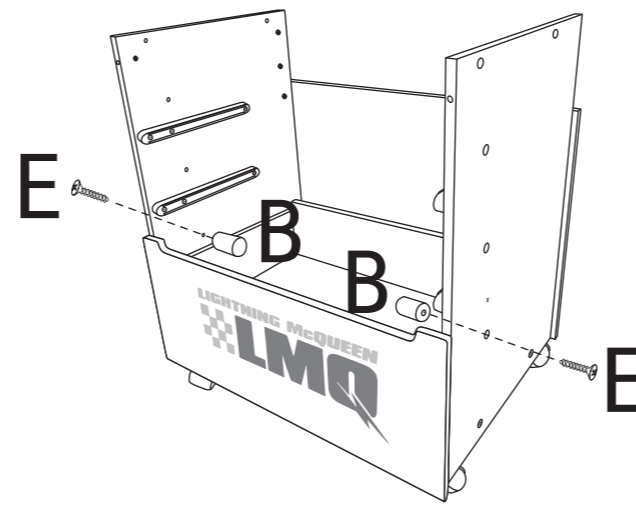
Step 18



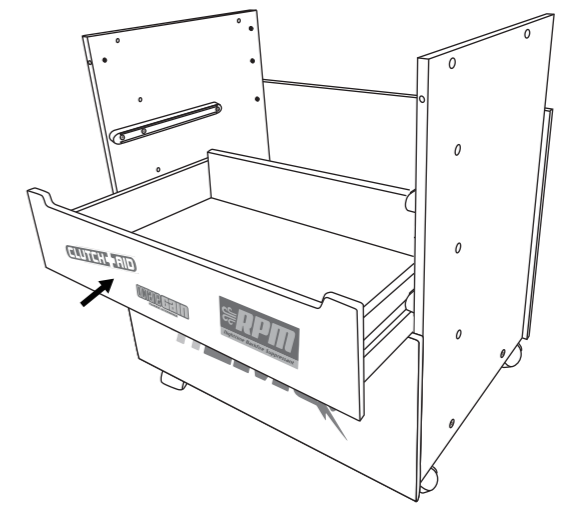
Step 19



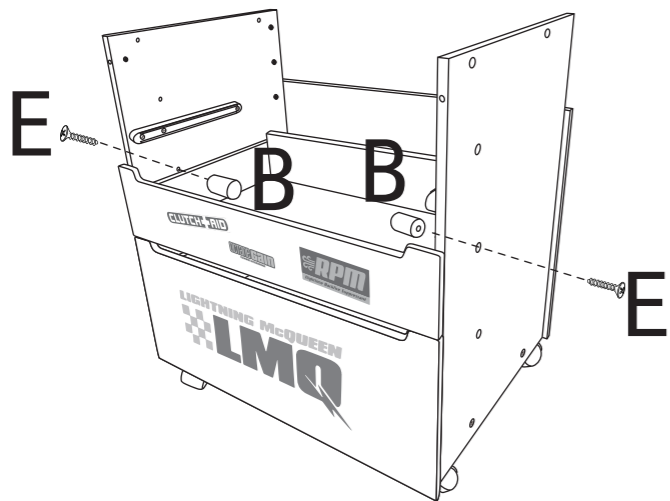
Step 20



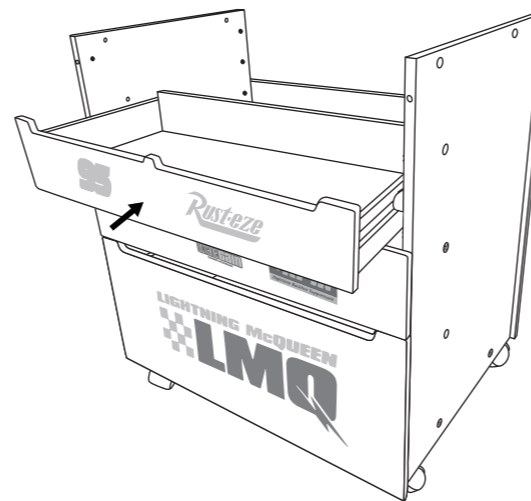
Step 21



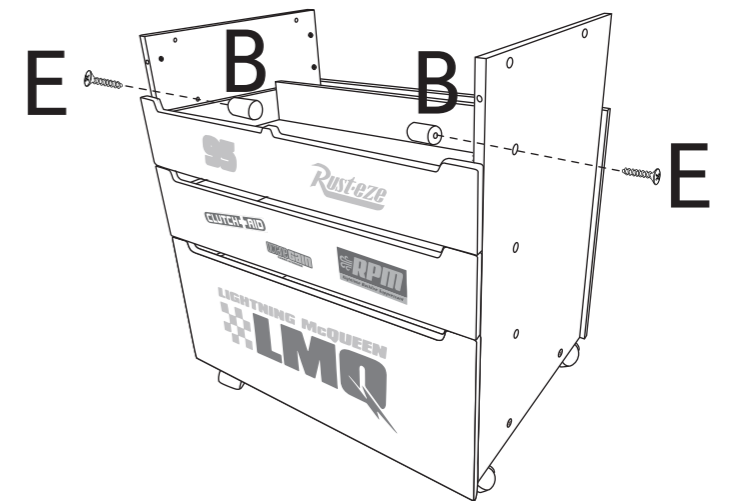
Step 22



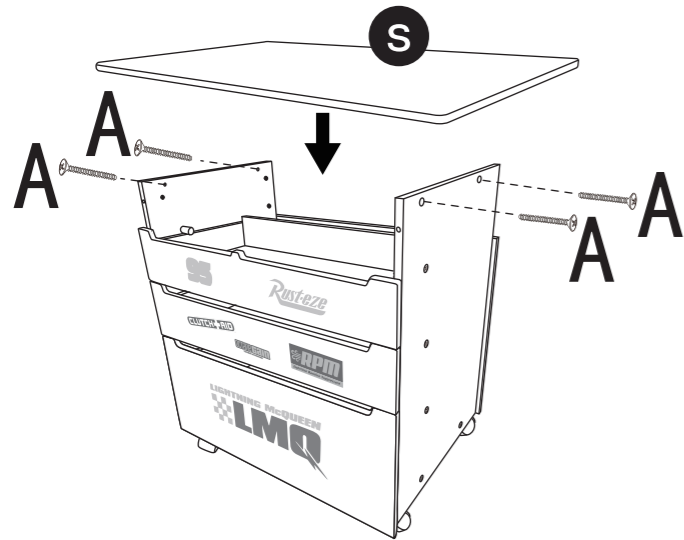
Step 23



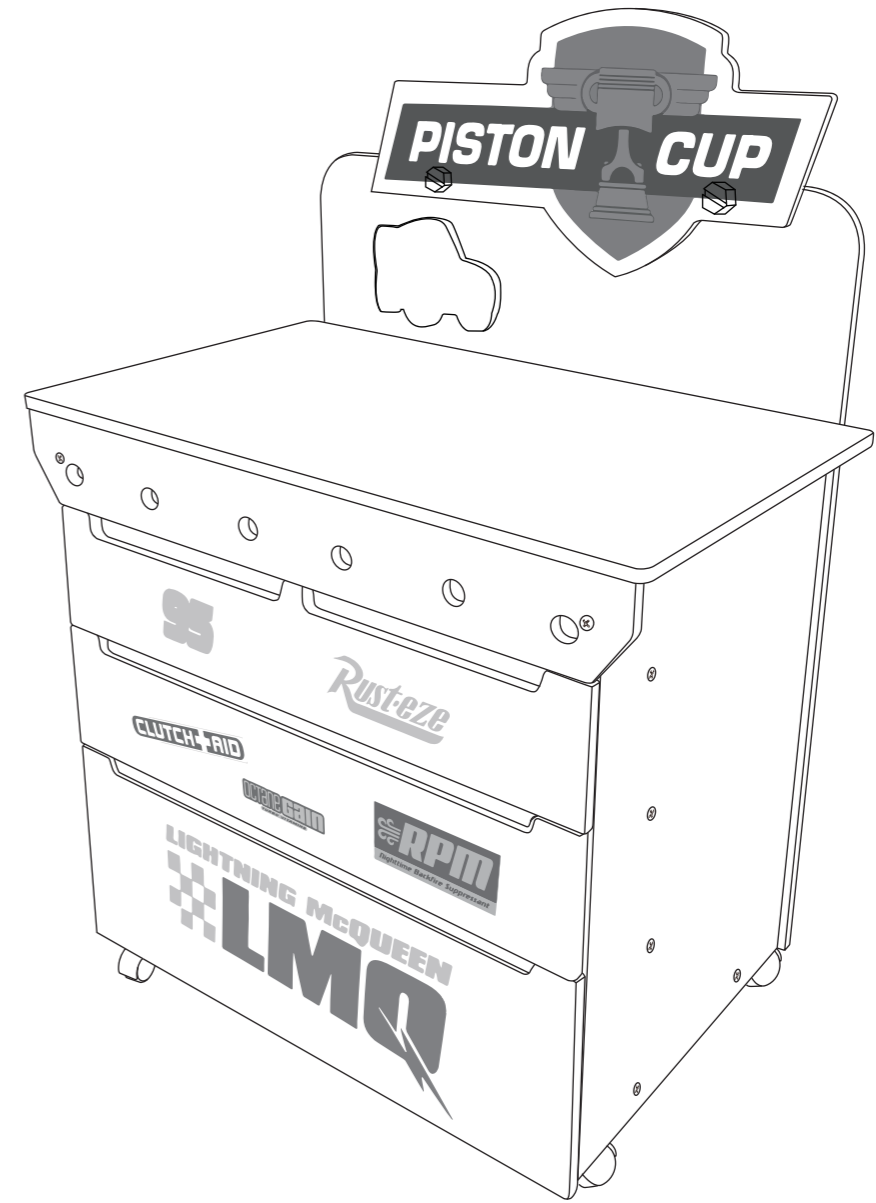
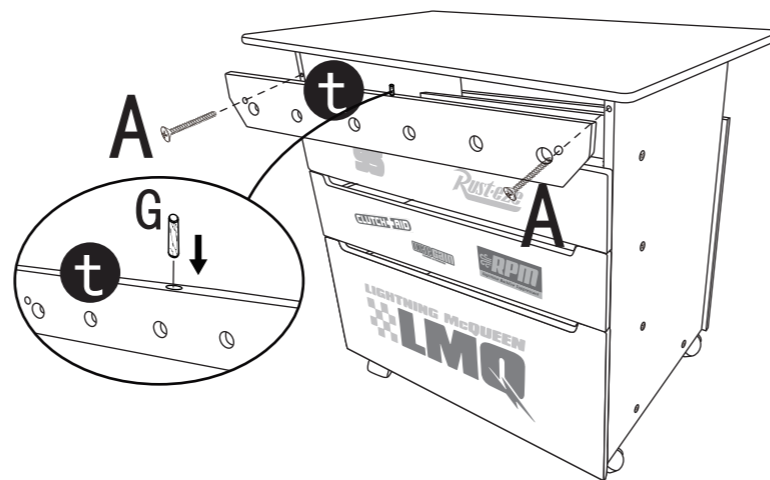
Step 24



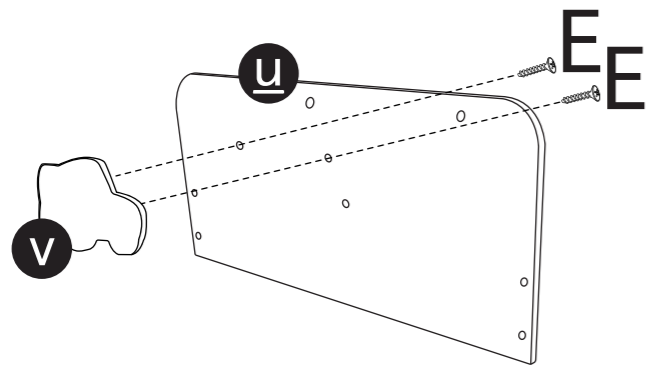
Step 25



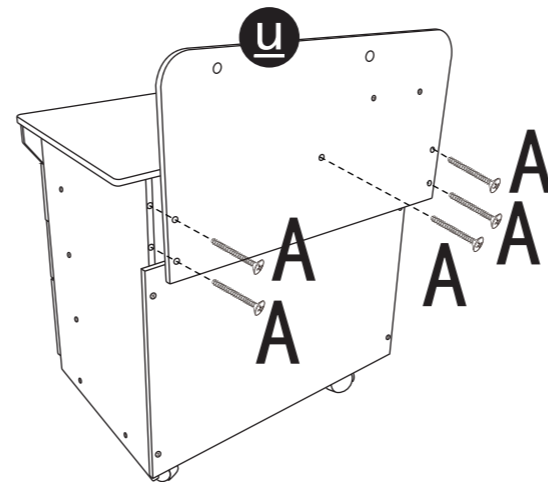
Step 26



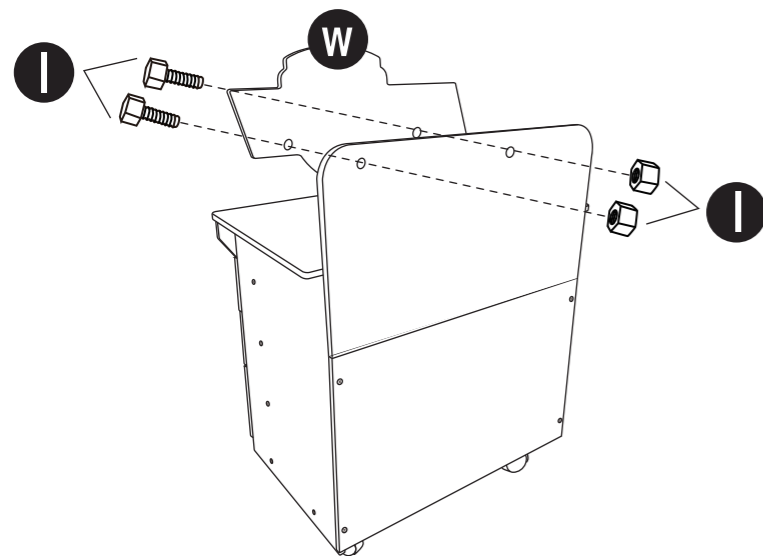
Step 27



Step 28



Step 29



WARNING: ADULT ASSEMBLY IS REQUIRED. UNASSEMBLED PARTS CONTAIN SCREWS AND WITH FUNCTIONAL SHARP POINTS, PLEASE KEEP UNASSEMBLED PARTS AWAY FROM SMALL CHILDREN.

WARNING: DO NOT STAND OR SIT ON THE PRODUCT. DO NOT USE THE PRODUCT AS A STEP LADDER. DO NOT USE THE PRODUCT UNLESS ALL BOLTS, SCREWS AND KNOBS ARE FIRMLY SECURED. FAILURE TO FOLLOW THESE WARNINGS COULD RESULT IN SERIOUS INJURY. PLEASE CHECK CONDITION OF PRODUCT REGULARLY, AS SCREWS MAY LOOSEN WITH USE OVER TIME. TIGHTEN SCREW FITTINGS IF NECESSARY. DO NOT PLAY WITH THIS PRODUCT NEAR STAIRS, SLOPES ETC.

WARNING: CHOKING HAZARD-SMALL PARTS. NOT SUITABLE FOR CHILDREN UNDER 3 YEARS. THIS IS A TOY, INTENDED FOR ROLE PLAY ONLY.

Keycode: 43203802
MADE IN CHINA
© KMART AUSTRALIA LIMITED