

Assembly Instructions

GAMING DESK

PLEASE READ THE INSTRUCTIONS CAREFULLY. BE SURE YOU HAVE ALL PARTS BEFORE YOU START ASSEMBLING. PLACE ALL GAMING DESK PARTS ON A CLEAN AND FLAT SURFACE, SUCH AS CARPET OR RUG TO PREVENT FROM BEING SCRATCHED.

WARNING:
THIS PACKAGE CONTAINS SMALL PARTS AND SHARP POINTS, KEEP AWAY FROM CHILDREN AND BABIES UNTIL ASSEMBLY IS COMPLETED. ADULT ASSEMBLY REQUIRED. DO NOT SIT OR STAND ON DESK. AVOID SCRATCHING THE SURFACE. DO NOT KNOCK OR DRAG THE PRODUCT. FAILURE TO FOLLOW THESE WARNINGS COULD RESULT IN SERIOUS INJURY. WHEN CLEANING THE SURFACE USE A DAMP CLOTH OR DRY CLEAN CLOTH. DO NOT USE DETERGENT OR CHEMICAL CLEANERS. AVOID CONTACT WITH WATER AND DIRECT SUNLIGHT. MAXIMUM SAFE LOAD: 40KGS.

A MILD ODOUR MAY BE PRESENT WHEN FIRST OPENING THIS CARTON. SIMPLY ALLOW TO AIR OUTSIDE AND THIS WILL DISSIPATE.

NOTES: A DC5V 1A OR LOWER CURRENT OUTPUT USB WALL ADAPTOR IS REQUIRED.

1

①

②

③

④

S2*4

⑤

S2*4

⑥

S3*2

⑦

⑧

⑨

S2*8

S3*2

S1*1

⚠ Please tighten screws.

2

①

②

③

④

⑤

⑥

⑦

⑧

⑨

S4*26

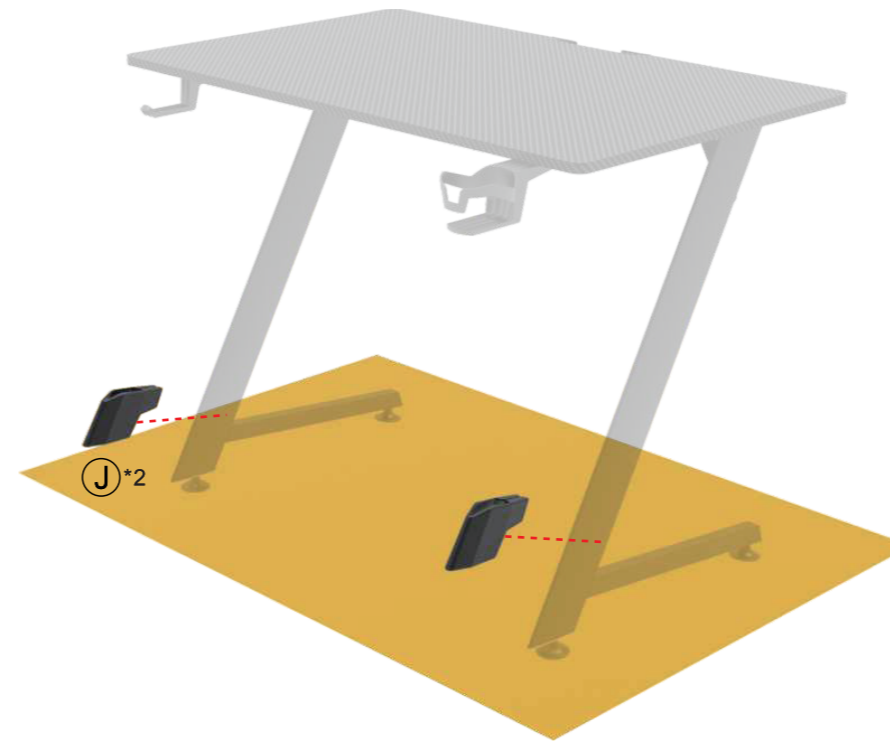
S5*4

S1*1

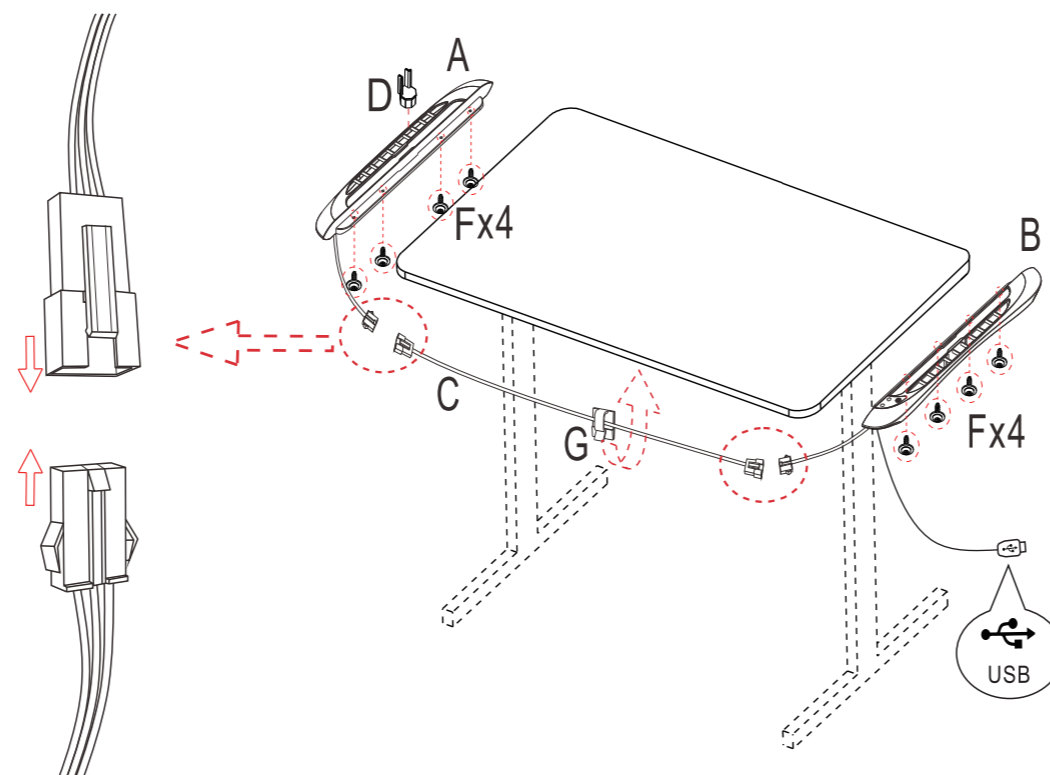
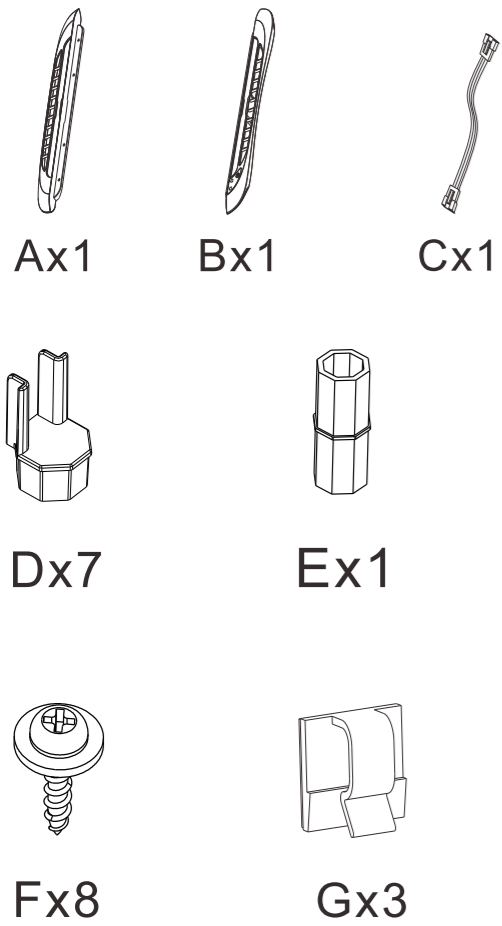
S5*4

⑩

3



4



C Button C:
Color Changing Key with 6 optional colors

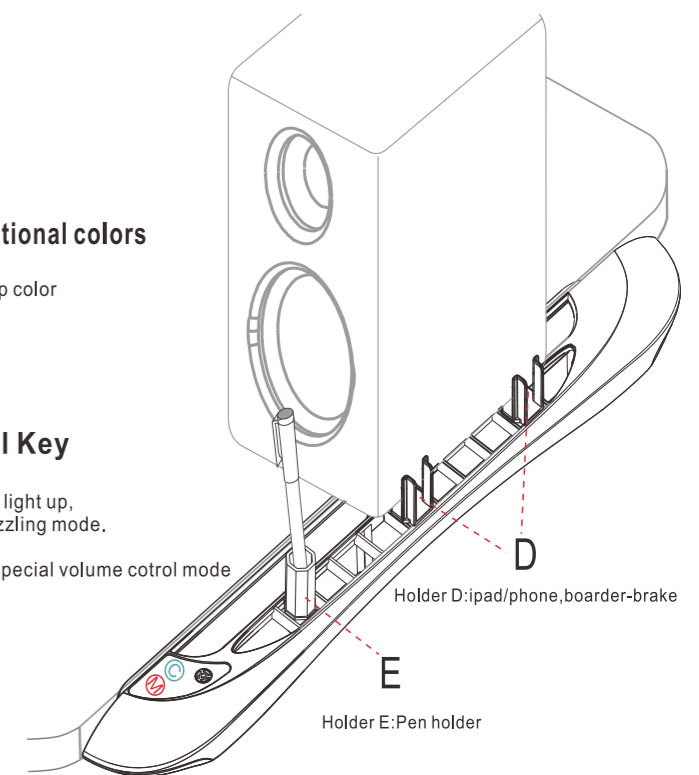
Static variable single color/flowing loop color

M Button M: Mode Control Key

press M first time: entre mode 1, RGB light up,
press C, 6 colors change, and then dazzling mode.

press M second time: entre mode 2, special volume cotrol mode
light controlled by voice/music

press M third time: switch off



12 Month Warranty

Thank you for your purchase from Kmart.

Kmart Australia Ltd warrants your new product to be free from defects in materials and workmanship for the period stated above, from the date of purchase, provided that the product is used in accordance with accompanying recommendations or instructions where provided.

This warranty is in addition to your rights under the Australian Consumer Law.

Kmart will provide you with your choice of a refund, repair or exchange (where possible) for this product if it becomes defective within the warranty period. Kmart will bear the reasonable expense of claiming the warranty. This warranty will no longer apply where the defect is a result of alteration, accident, misuse, abuse or neglect.

Please retain your receipt as proof of purchase and contact our Customer Service Centre on 1800 124 125 (Australia) or 0800 945 995 (New Zealand) or alternatively, via Customer Help at kmart.com.au for any difficulties with your product. Warranty claims and claims for expense incurred in returning this product can be addressed to our Customer Service Centre at 690 Springvale Rd, Mulgrave Vic 3170.

Our goods come with guarantees that cannot be excluded under the Australian Consumer Law. You are entitled to a replacement or refund for a major failure and compensation for any other reasonably foreseeable loss or damage. You are also entitled to have the goods repaired or replaced if the goods fail to be of acceptable quality and the failure does not amount to a major failure.

For New Zealand customers, this warranty is in addition to statutory rights observed under New Zealand legislation.