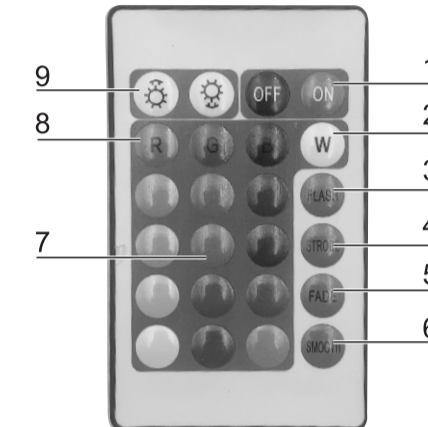


210*285mm-双面

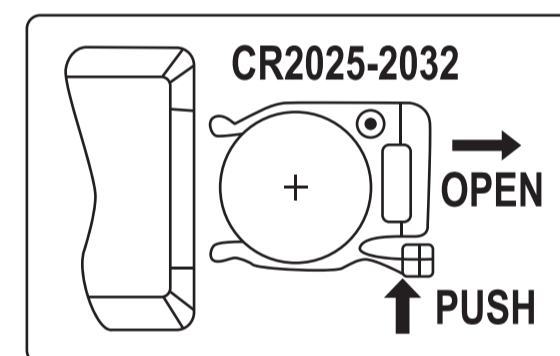
Remote control

1. On/Off switch
2. White light (mixed colour)
3. Flash (flashing function)
4. Strobe (slow fading out of a colour)
5. Fade (slow fading out with colour change)
6. Smooth (smooth colour change)
7. Control panel for colour selection (12 mixed col-ours)
8. Red, Green, Blue colour
9. Increase/decrease the brightness/
fast or slow rate in flash/strobe/fade/smooth mode



Changing the remote-control battery

1. The battery for the remote control has already been inserted. Remove the transport guard before use.
2. Drive out the screw on the battery door.
3. The battery compartment is located on the narrow side of the remote control. Pull it out as shown.
4. Remove the empty battery and insert a 3V battery, type CR2025 or CR2032. The positive terminal must point upwards.
5. Place the battery compartment back in the remote control so that it locks in place.



Production Specification

RGB LED STRIP LIGHT
Input: DC 5V 2A max via USB port.
Keycode: 42724469,42724476

anko

RGB LED STRIP

IMPORTANT SAFETY INSTRUCTIONS:

The following safety precautions should always be followed, it is important to read all of these instructions carefully before using the product, and to save them for future reference or new users.

- This product must only be used as intended in accordance with the enclosed operation instructions.
- CAUTION: Install batteries to correct polarity. Installation by adult recommended.
- Do not dispose of batteries in fire.
- This product has not been designed for use by children.
- Children should be closely supervised always when they are near any electrical appliance.
- This product has been designed for indoor use only.
- Keep the product and the cables away from water or other liquids. If the product does fall in water, immediately disconnect the power supply. Do not attempt to pull the product out of the water when it is connected to a device that is connected to the mains supply!
- Never touch the product or the cables with wet hands.
- Pull the product out of the device or the mains plug of the connected device out of the socket, when you are not using the product.
- Do not make any modifications to the product. Do not to replace the connector cables by yourself.



WARNING: Button cell Batteries are Hazardous (new or used). Keep away from Children. Button Cell Batteries can cause severe or fatal injuries in 2 hours or less if they are swallowed or placed inside any part of the body. If you suspect your child has swallowed or inserted a button cell battery, call the 24-hour poisons information centre in Australia on 131126 or in New Zealand 0800 764 766 or contact your country's emergency dept. Used batteries must be disposed of in the garbage or a battery recycle facility.

Instruction

1. Before adhering strip lights, clean the surface of the area you will be placing the lights on. It is recommended to apply your strip lights on smooth stable surfaces. It should not be placed on rough, textured or painted wall surfaces or any surfaces that can bend or move.
2. Peel off the backing strip off the adhesive tape.
3. Press and hold the light strip firmly against the surface.
4. Remove the tab from the battery compartment of the remote control.
5. Connect the USB cable to the USB port or USB wall charger with DC5V 2A output
6. Turn on the LED backlight by pushing the ON button on the remote control.
7. Select the desired colour or the desired effect and push the corresponding button on the remote control.
8. Please note that the colour settings are mixed colours. For this reason, the colour tints may exhibit minor deviations. Even white light is a mixed colour and thus not a purely white colour tint!
9. Set the desired colour brightness using the buttons to increase/decrease the intensity of colour.
10. Push the OFF button to turn off the LED backlight.