

# Assembly Instructions

## 43219346 FRASER RATTAN ENTRYWAY









**WARNING:** DO NOT STAND OR LEAN ON THIS UNIT. DO NOT USE THIS UNIT AS A STEP LADDER OR AS A CHOPPING SURFACE. KEEP AWAY FROM CHILDREN AND BABIES. ADULT ASSEMBLY REQUIRED. USE ONLY ON A FLAT SURFACE. DO NOT USE THIS UNIT UNLESS ALL BOLTS AND SCREWS ARE FIRMLY SECURED.



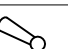
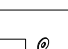


**CARE INSTRUCTION:** TO BE ASSEMBLED ON A CLEAN, DRY AND SMOOTH SURFACE. WIPE CLEAN WITH A SOFT DAMP CLOTH. NEVER USE SCOURERS, ABRASIVES OR CHEMICAL SOLVENTS. CHECK AND TIGHTEN ALL PARTS REGULARLY. KEEP AWAY FROM MOISTURE AND DIRECT SUNLIGHT. STORE IN A DRY PLACE. FOR INDOOR AND DOMESTIC USE ONLY.

**MAXIMUM SAFE LOAD: 100KGS FOR SEAT, 5KGS FOR SHELF, 2KGS FOR EACH HOOK.**

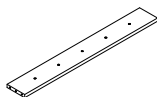
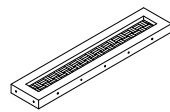
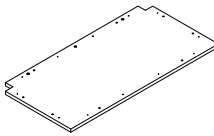
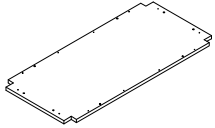
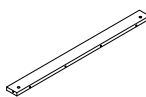
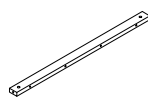
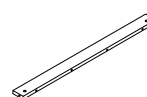
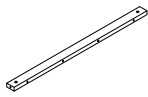
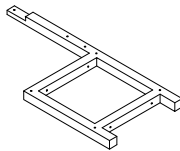
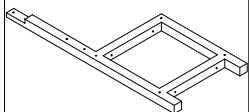
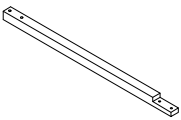
①

### Hardware List

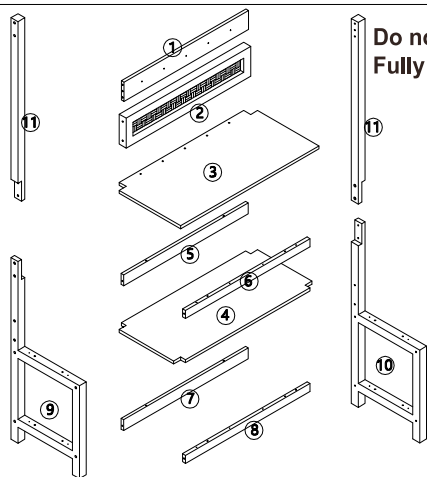
	A	Ø6x30mm	20pcs
	B	M6.5x40mm	3pcs
	C	M4x40mm	16pcs
	D	M4x50mm	8pcs
	E		1pc
	F	M6.5x70mm	8pcs
	G	M6x60mm	8pcs
	H	Ø10x9.5mm	8pcs

	I	M6x20mm	9pcs
	J	M8x10mm	4pcs
	L		5pcs
	M	M4x12mm	2pcs
	N	M4x35mm	2pcs
	O		4pcs

③

							
①	1PC	②	1PC	③	1PC	④	1PC
							
⑤	1PC	⑥	1PC	⑦	1PC	⑧	1PC
							
⑨	1PC	⑩	1PC	⑪	2PCS		

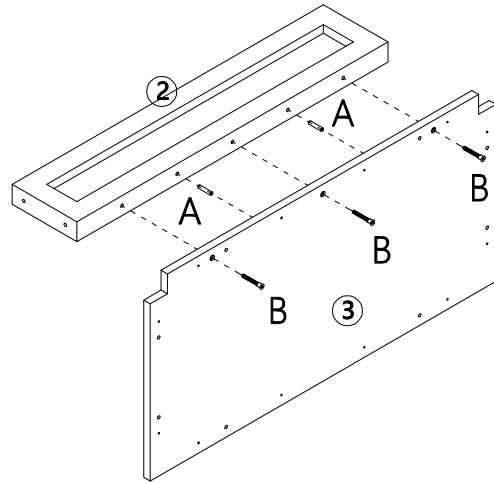
②



**Do not tighten the screws fully during assembly.  
Fully tighten screws after the final assembly steps**

### STEP 1:

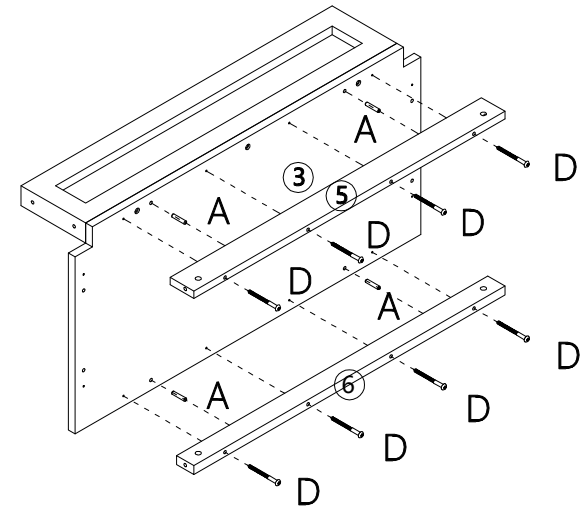
- A x2
- B x3



Tool required  
Phillips Head Screw Driver  
(Not Provided)

### STEP 2:

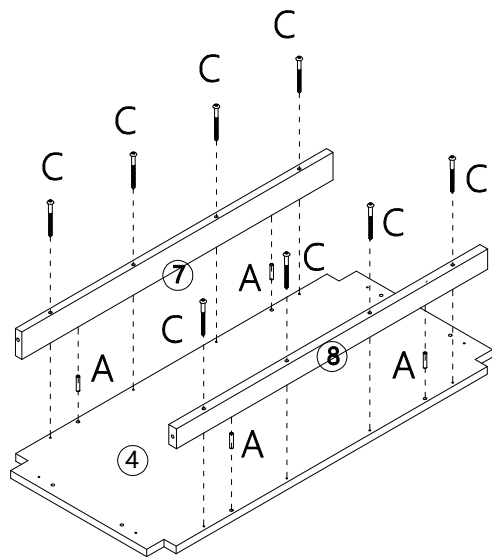
- A x4
- D x8



Tool required  
Phillips Head Screw Driver  
(Not Provided)

### STEP 3:

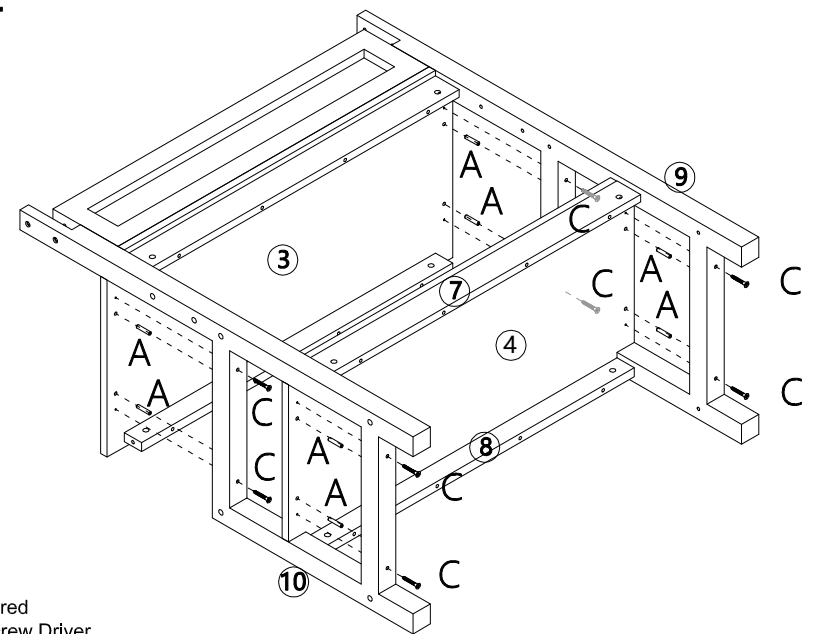
- A x4
- C x8



Tool required  
Phillips Head Screw Driver  
(Not Provided)





### STEP 4:


- A x8
- C x8

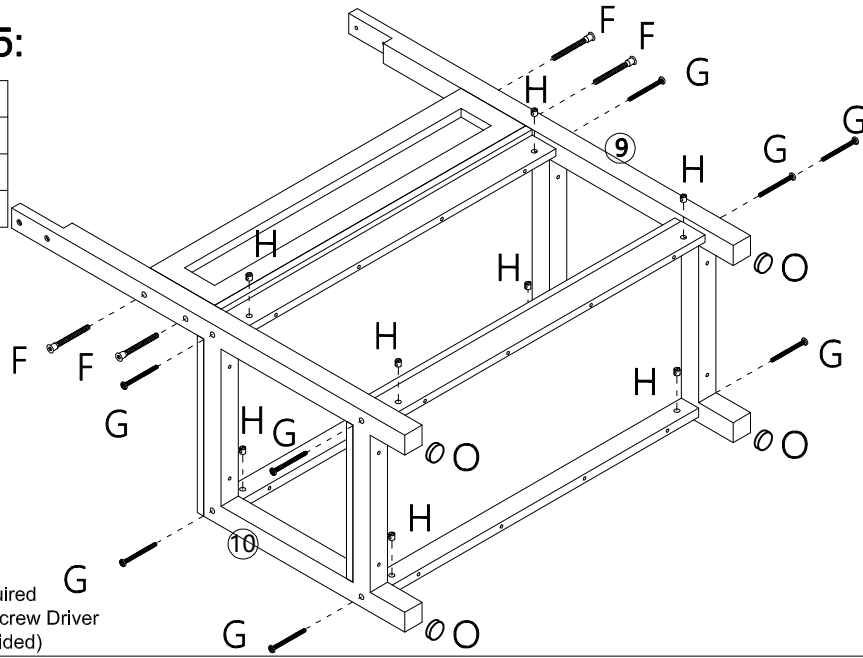


Tool required  
Phillips Head Screw Driver  
(Not Provided)



### STEP 5:


 F x4
 G x8
 H x8
 O x4

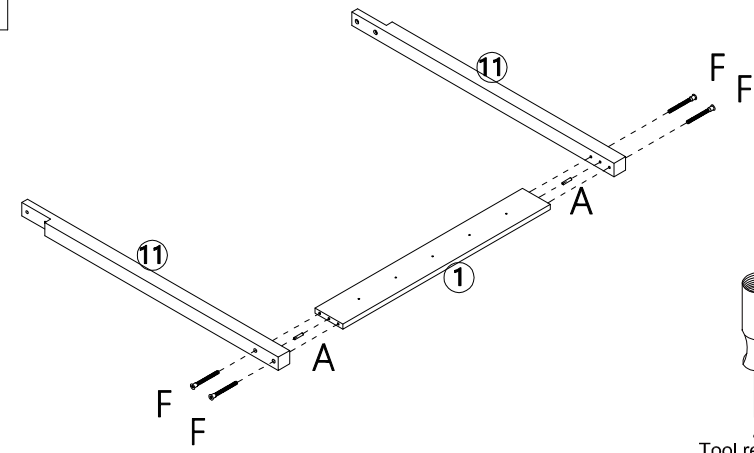
  
Tool required  
Phillips Head Screw Driver  
(Not Provided)





### STEP 6:


 A x2
 F x4

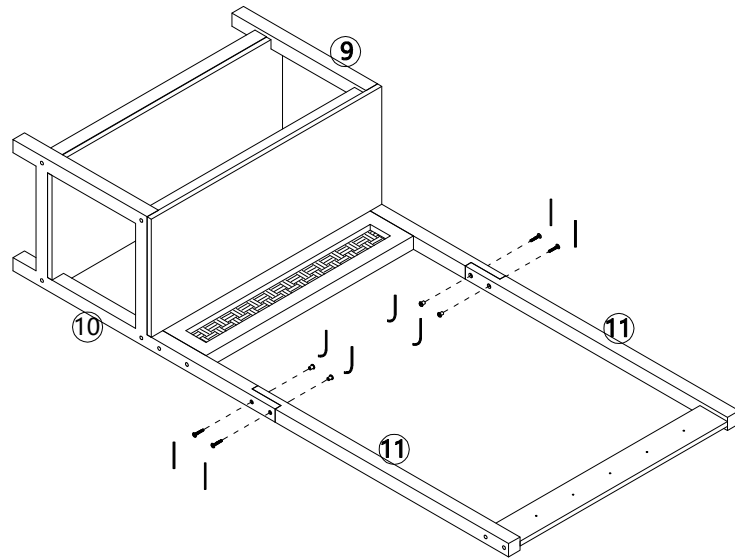
  
Tool required  
Phillips Head Screw Driver  
(Not Provided)





### STEP 7:


 I x4
 J x4

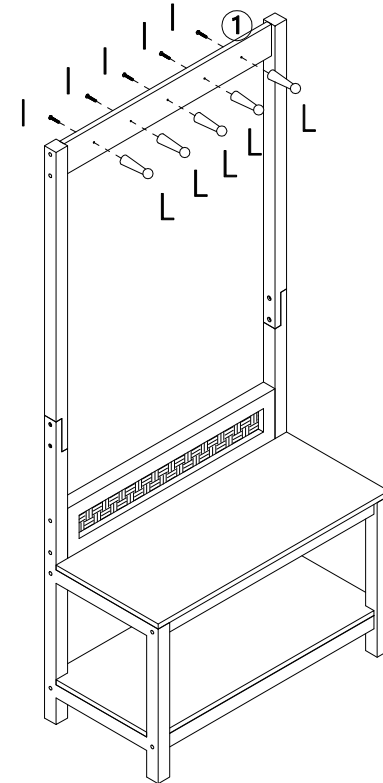
  
Tool required  
Phillips Head Screw Driver  
(Not Provided)



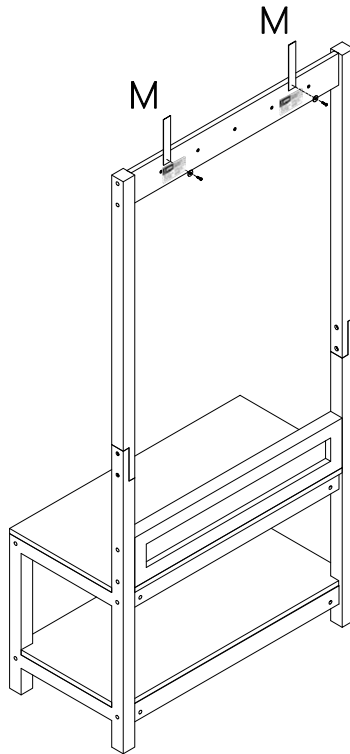
### STEP 8:

 L x5
 I x4

  
Tool required  
Phillips Head Screw Driver  
(Not Provided)

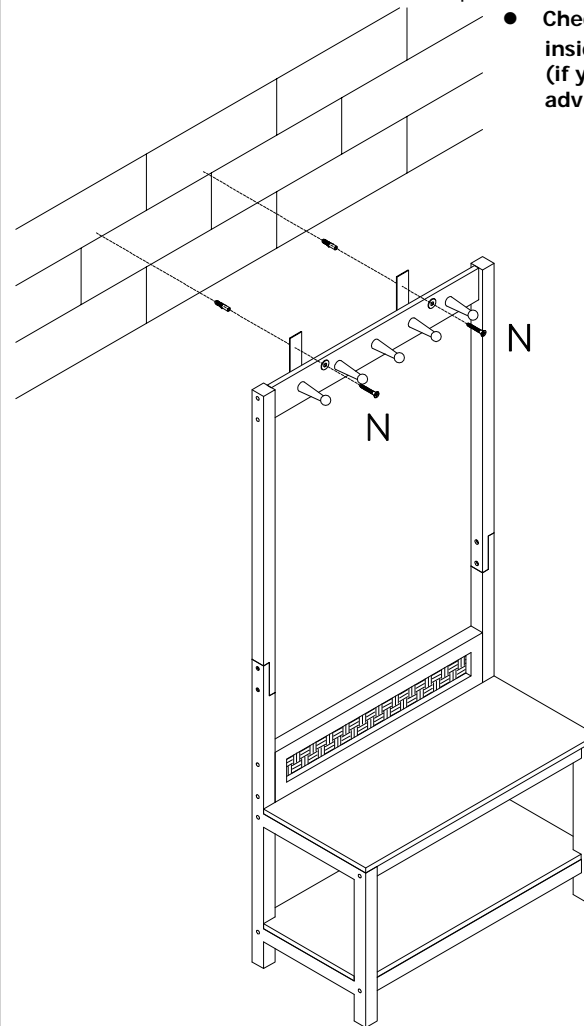


## STEP 9:



Tool required  
Philips Head Screw Driver  
(Not Provided)

## STEP 10:



Tool required  
Philips Head Screw Driver  
(Not Provided)

User instructions should include the wording:

- **It is strongly recommended that this product is permanently fixed to the wall.**
- **Please seek professional advice if you are in doubt of what fixing device to use.**
- **Regularly check that anchors are securely maintained.**
- **Stability of tall items may be affected by thick pile carpet or uneven floors .**
- **Do not place unanchored televisions on furniture .**

**CAUTION:** for your safety when attaching the anchor fixings, please note the following:

- **Check any electrical wires or plumbing inside the wall before drilling any holes (if you are unsure please seek professional advice from a qualified tradesperson).**



WARNING: PLEASE SECURE  
YOUR FURNITURE WITH  
THE SUPPLIED WALL  
FIXING. SCAN THE CODE  
FOR MORE INFORMATION.

