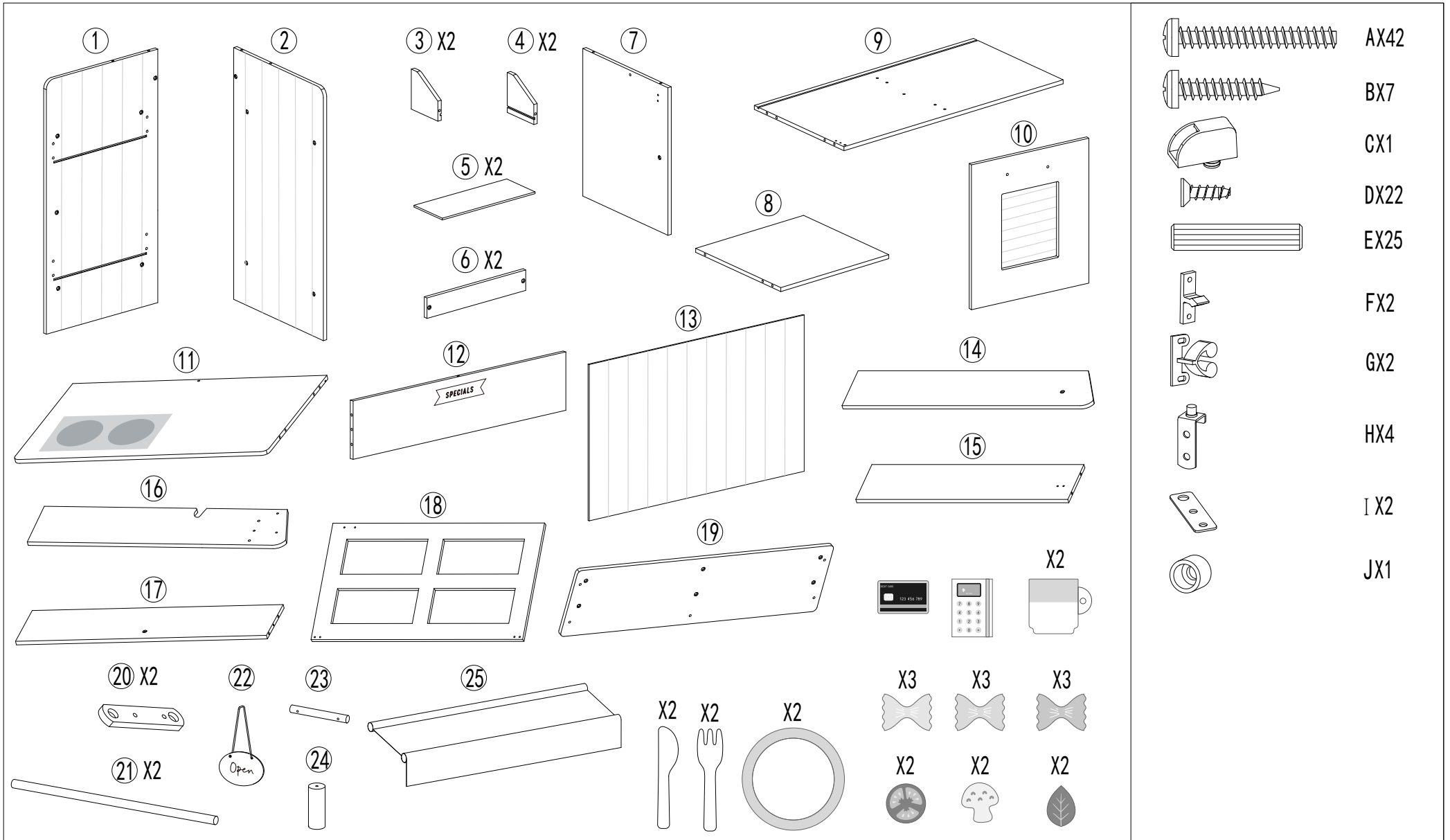
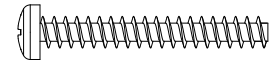
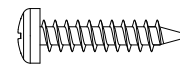
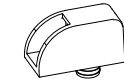
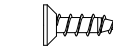
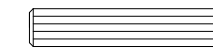
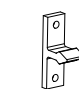
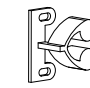





Assembly Instructions



-  AX42
-  BX7
-  CX1
-  DX22
-  EX25
-  FX2
-  GX2
-  HX4
-  I X2
-  JX1

CAUTION:

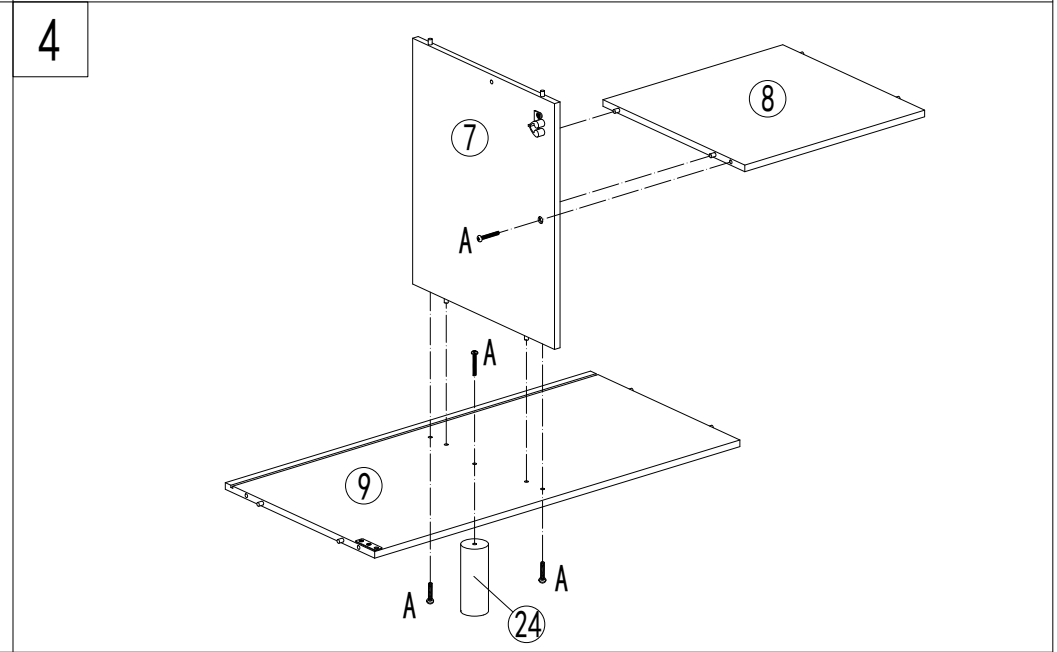
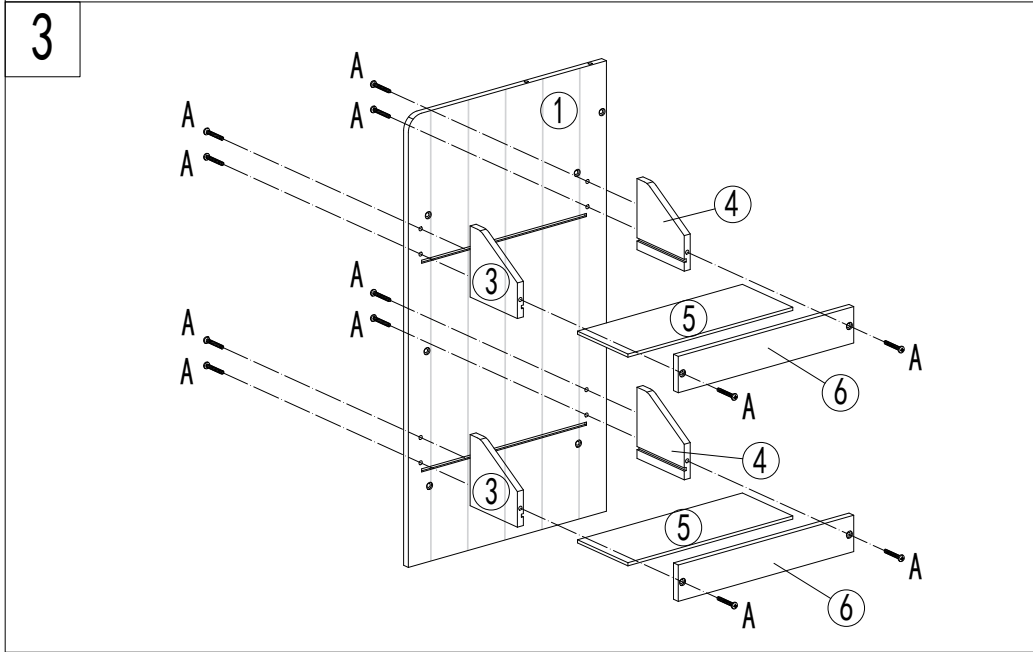
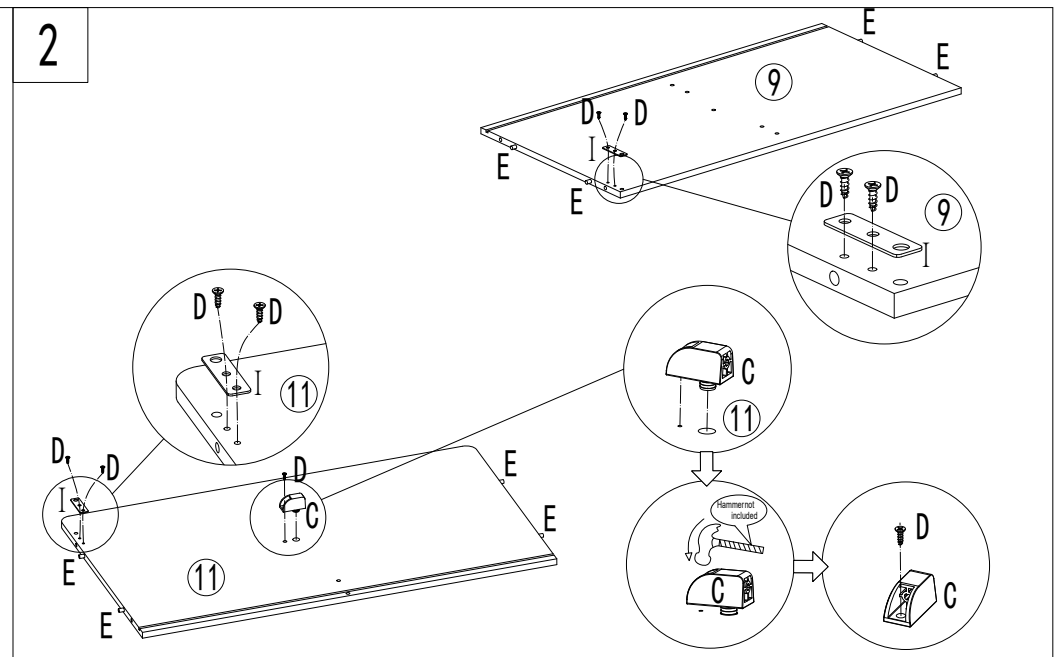
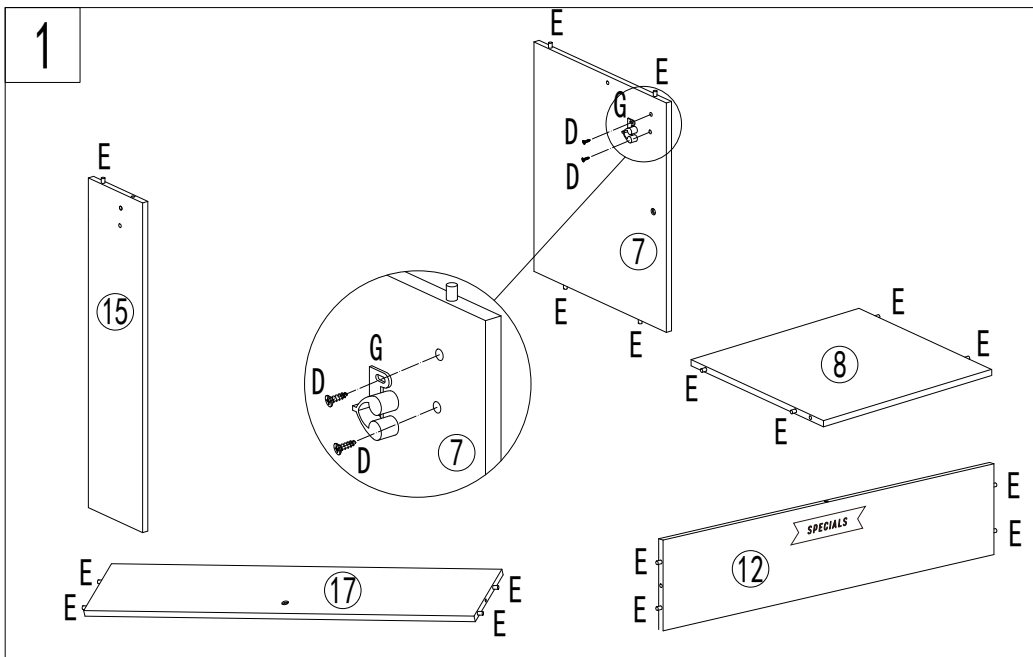
ADULT ASSEMBLY IS REQUIRED. HARDWARE CONTAINS SCREWS WITH SHARP POINTS. KEEP UNASSEMBLED PARTS OUT OF THE REACH OF SMALL CHILDREN. ADULT SUPERVISION IS RECOMMENDED.

WARNING: ADULT SUPERVISION IS REQUIRED. PLEASE CHECK CONDITION OF PRODUCT REGULARLY, AS SCREWS MAY LOOSEN WITH USE OVER TIME. TIGHTEN SCREW FITTINGS IF NECESSARY.

CAUTION: CLEAN ALL PLAY FOOD PIECES THOROUGHLY BEFORE AND AFTER USE. THIS IS A TOY, INTENDED FOR ROLE PLAY ONLY.

WARNING

CHOKING HAZARD-SMALL PARTS. NOT SUITABLE FOR CHILDREN UNDER 3 YEARS.



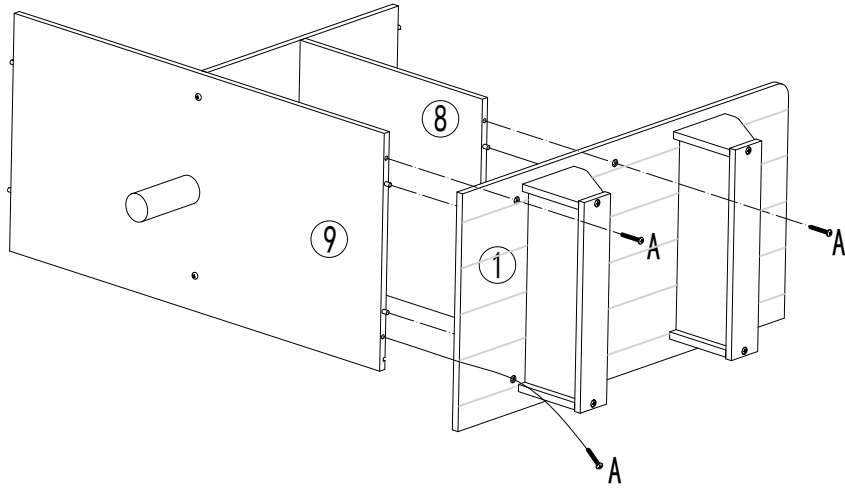
⚠ CAUTION:
 ADULT ASSEMBLY IS REQUIRED. HARDWARE CONTAINS SCREWS WITH SHARP POINTS.
 KEEP UNASSEMBLED PARTS OUT OF THE REACH OF SMALL CHILDREN.
 ADULT SUPERVISION IS RECOMMENDED.

WARNING: ADULT SUPERVISION IS REQUIRED. PLEASE CHECK CONDITION OF PRODUCT REGULARLY, AS SCREWS MAY LOOSEN WITH USE OVER TIME. TIGHTEN SCREW FITTINGS IF NECESSARY.

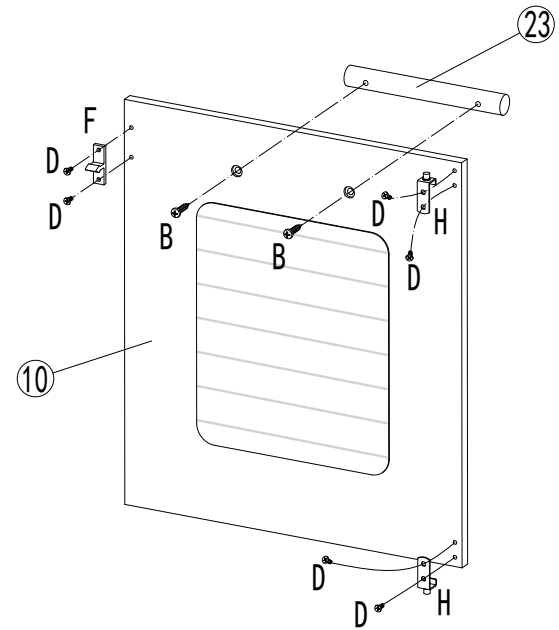
CAUTION: CLEAN ALL PLAY FOOD PIECES THOROUGHLY BEFORE AND AFTER USE. THIS IS A TOY, INTENDED FOR ROLE PLAY ONLY.

⚠ WARNING
 CHOKING HAZARD-SMALL PARTS.
 NOT SUITABLE FOR CHILDREN UNDER 3 YEARS.

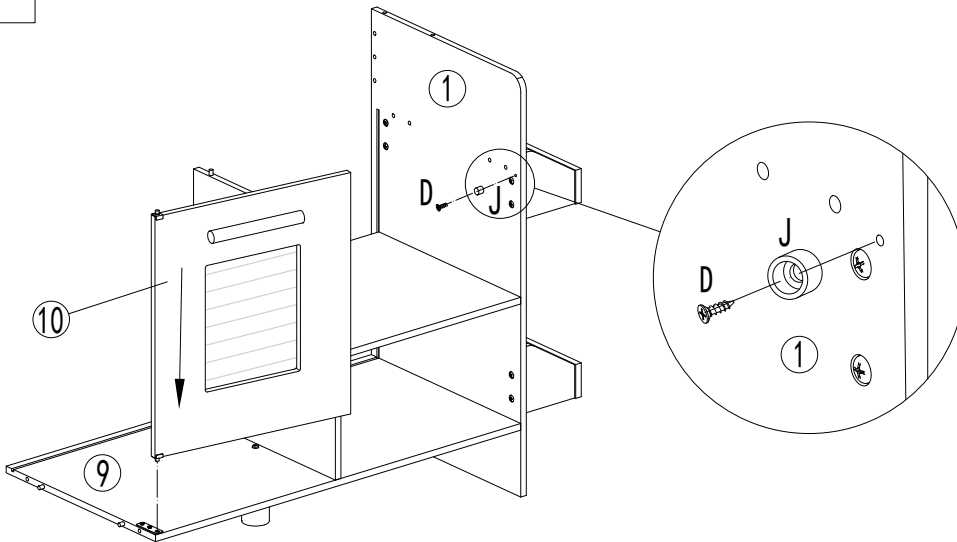
5



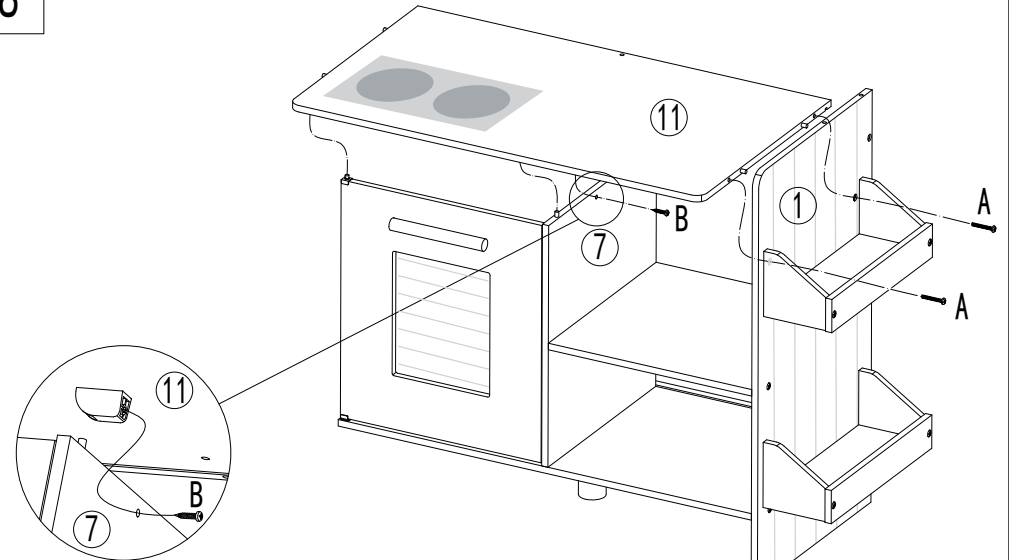
6



7



8



⚠ CAUTION:

ADULT ASSEMBLY IS REQUIRED. HARDWARE CONTAINS SCREWS WITH SHARP POINTS. KEEP UNASSEMBLED PARTS OUT OF THE REACH OF SMALL CHILDREN. ADULT SUPERVISION IS RECOMMENDED.

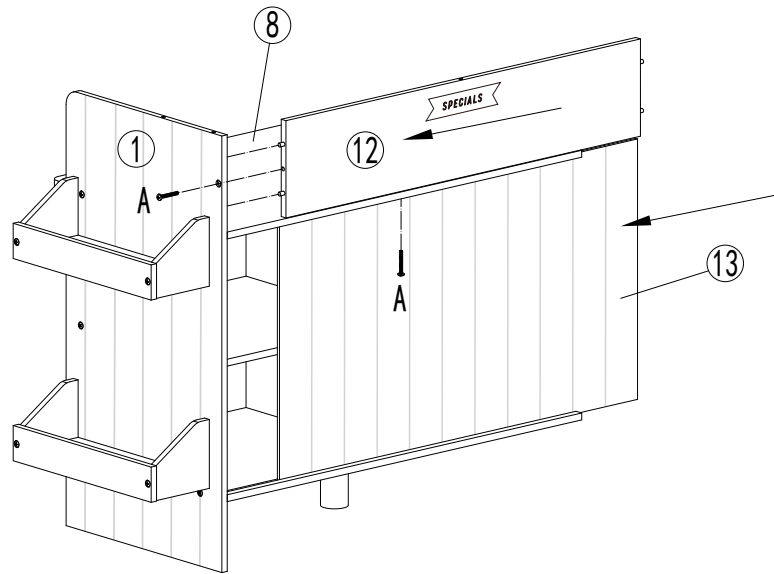
WARNING: ADULT SUPERVISION IS REQUIRED. PLEASE CHECK CONDITION OF PRODUCT REGULARLY, AS SCREWS MAY LOOSEN WITH USE OVER TIME. TIGHTEN SCREW FITTINGS IF NECESSARY.

CAUTION: CLEAN ALL PLAY FOOD PIECES THOROUGHLY BEFORE AND AFTER USE. THIS IS A TOY, INTENDED FOR ROLE PLAY ONLY.

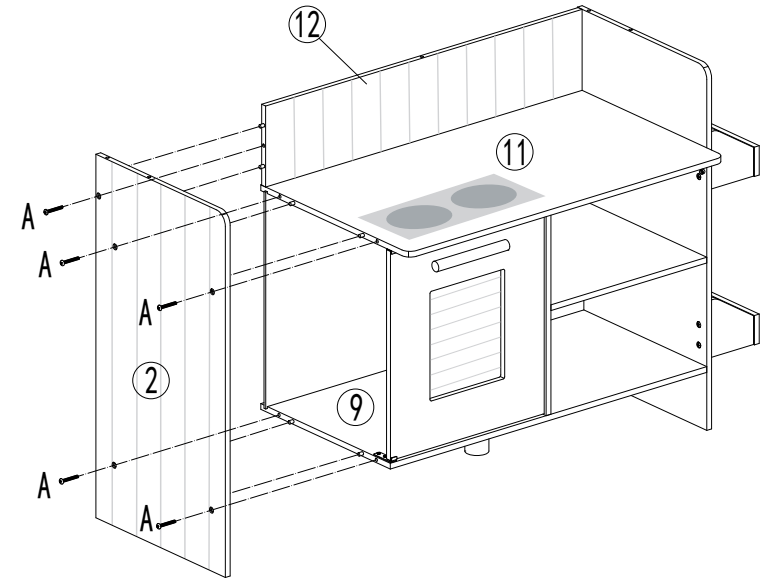
⚠ WARNING

CHOKING HAZARD-SMALL PARTS.
NOT SUITABLE FOR CHILDREN UNDER 3 YEARS.

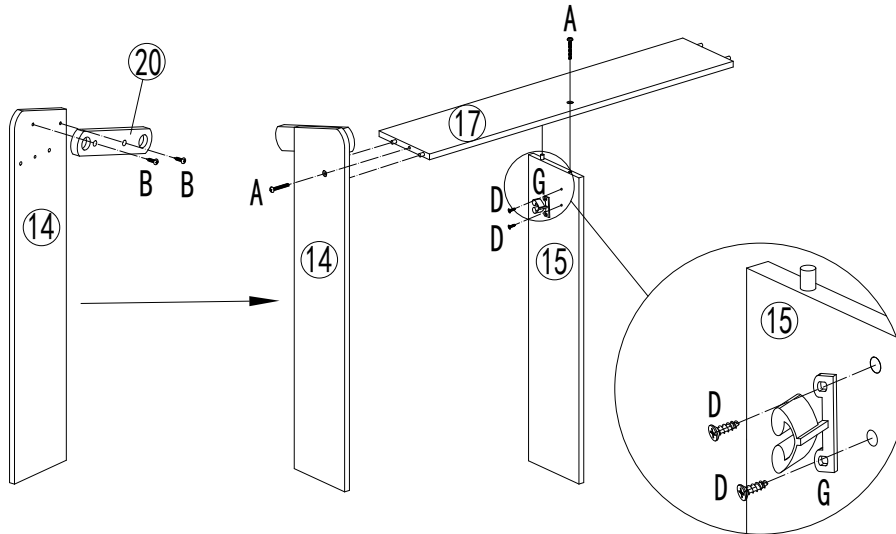
9



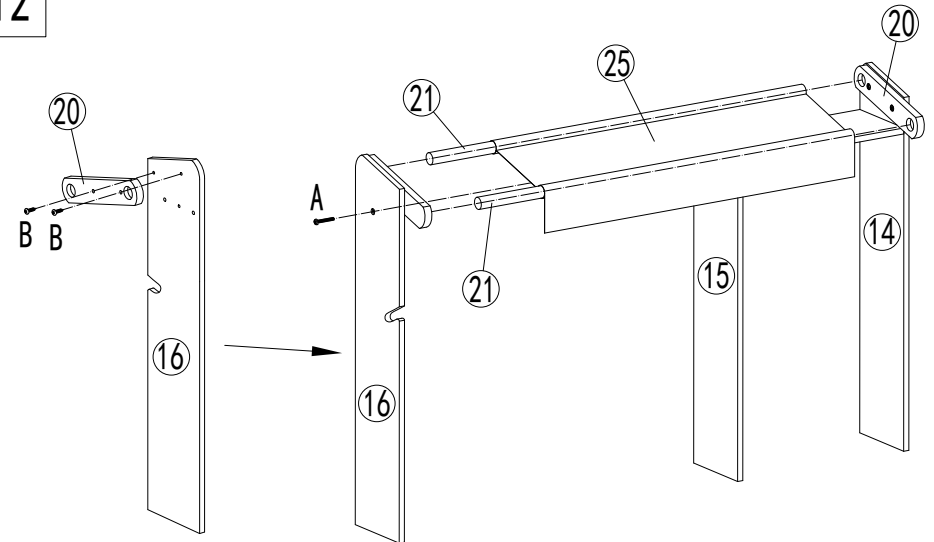
10



11



12



⚠ CAUTION:

ADULT ASSEMBLY IS REQUIRED. HARDWARE CONTAINS SCREWS WITH SHARP POINTS. KEEP UNASSEMBLED PARTS OUT OF THE REACH OF SMALL CHILDREN. ADULT SUPERVISION IS RECOMMENDED.

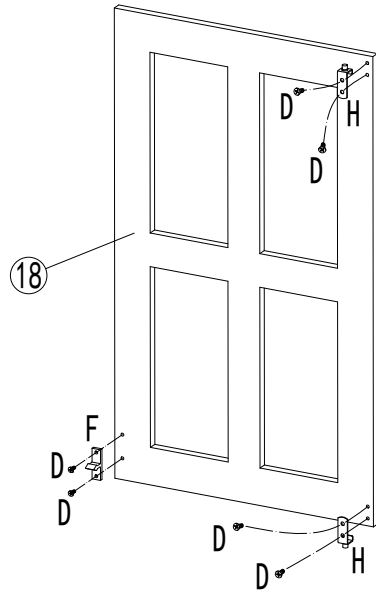
WARNING: ADULT SUPERVISION IS REQUIRED. PLEASE CHECK CONDITION OF PRODUCT REGULARLY, AS SCREWS MAY LOOSEN WITH USE OVER TIME. TIGHTEN SCREW FITTINGS IF NECESSARY.

CAUTION: CLEAN ALL PLAY FOOD PIECES THOROUGHLY BEFORE AND AFTER USE. THIS IS A TOY, INTENDED FOR ROLE PLAY ONLY.

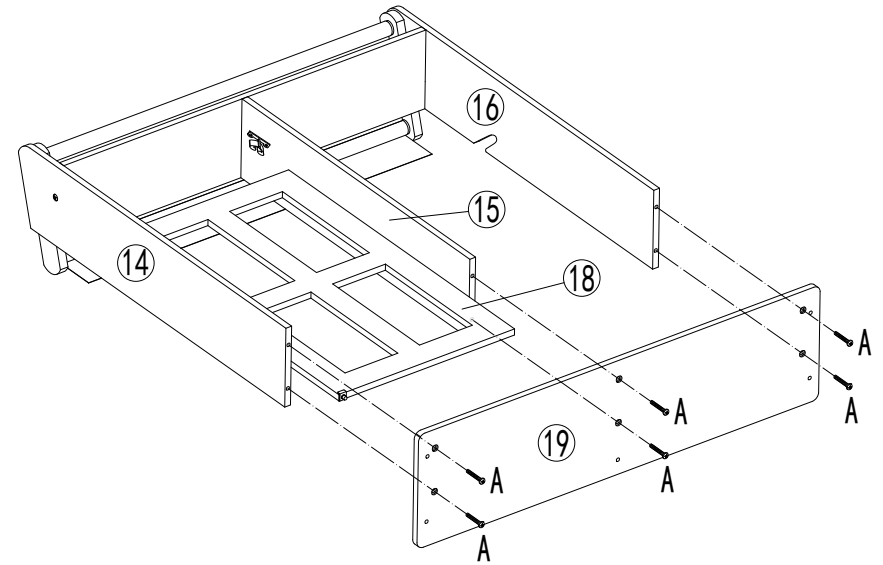
⚠ WARNING

CHOKING HAZARD-SMALL PARTS.
NOT SUITABLE FOR CHILDREN UNDER 3 YEARS.

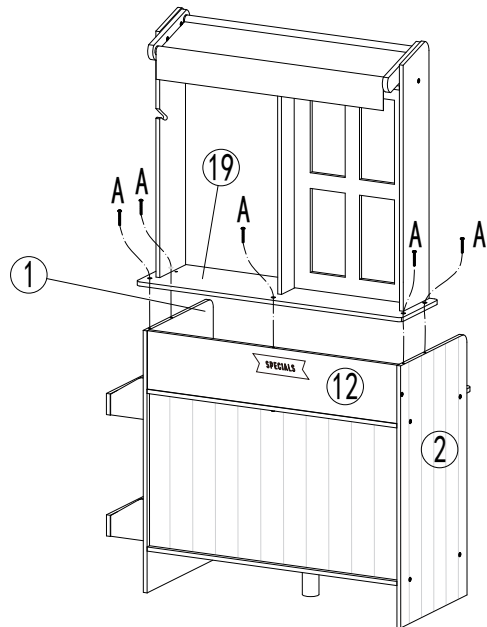
13



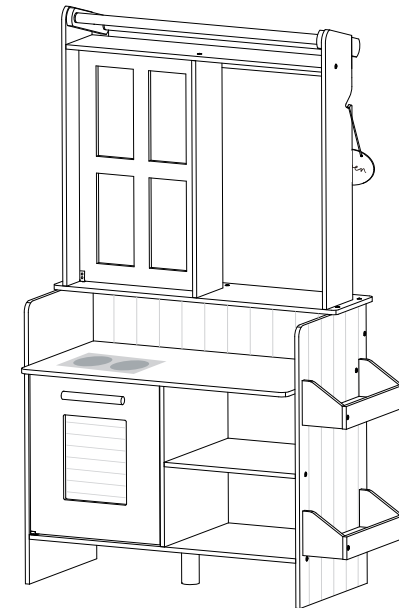
14



15



16



⚠ CAUTION:

ADULT ASSEMBLY IS REQUIRED. HARDWARE CONTAINS SCREWS WITH SHARP POINTS. KEEP UNASSEMBLED PARTS OUT OF THE REACH OF SMALL CHILDREN. ADULT SUPERVISION IS RECOMMENDED.

WARNING: ADULT SUPERVISION IS REQUIRED. PLEASE CHECK CONDITION OF PRODUCT REGULARLY, AS SCREWS MAY LOOSEN WITH USE OVER TIME. TIGHTEN SCREW FITTINGS IF NECESSARY.

CAUTION: CLEAN ALL PLAY FOOD PIECES THOROUGHLY BEFORE AND AFTER USE. THIS IS A TOY, INTENDED FOR ROLE PLAY ONLY.

⚠ WARNING

CHOKING HAZARD-SMALL PARTS.
NOT SUITABLE FOR CHILDREN UNDER 3 YEARS.