

Assembly Instructions

43226580 OAK SHOE STORAGE BENCH WITH DRAWERS







WARNING: DO NOT STAND ON THE UNIT. ENSURE THIS UNIT IS USED ONLY ON A FLAT SURFACE. DO NOT USE THIS UNIT UNLESS ALL BOLTS AND SCREWS ARE FIRMLY SECURED. FAILURE TO FOLLOW THESE WARNINGS COULD RESULT IN SERIOUS INJURY. CONTAINS SMALL PARTS. IT IS TO BE ASSEMBLED BY AN ADULT.



CARE INSTRUCTION: WIPE CLEAN WITH A SOFT DAMP CLOTH. NEVER USE SCOURERS, ABRASIVES OR CHEMICAL SOLVENTS. KEEP AWAY FROM MOISTURE AND DIRECT SUNLIGHT. STORE IN A DRY PLACE. CHECK AND TIGHTEN ALL PARTS REGULARLY. FOR INDOOR USE ONLY.

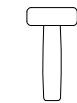
MAXIMUM SAFE LOAD: 80KG FOR BENCH, 5KG FOR EACH DRAWER.

①

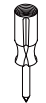
Hardware List

	A	M6x35mm	18pcs
	B	Ø15x9.5mm	18pcs
	C	Ø6x30mm	36pcs
	D	M4x35mm	14pcs
	E	M7x50mm	6pcs
	F		6pcs

	G		1pc
	H	M2x16mm	22pcs
	I		12pcs
	J	M3x16mm	12pcs

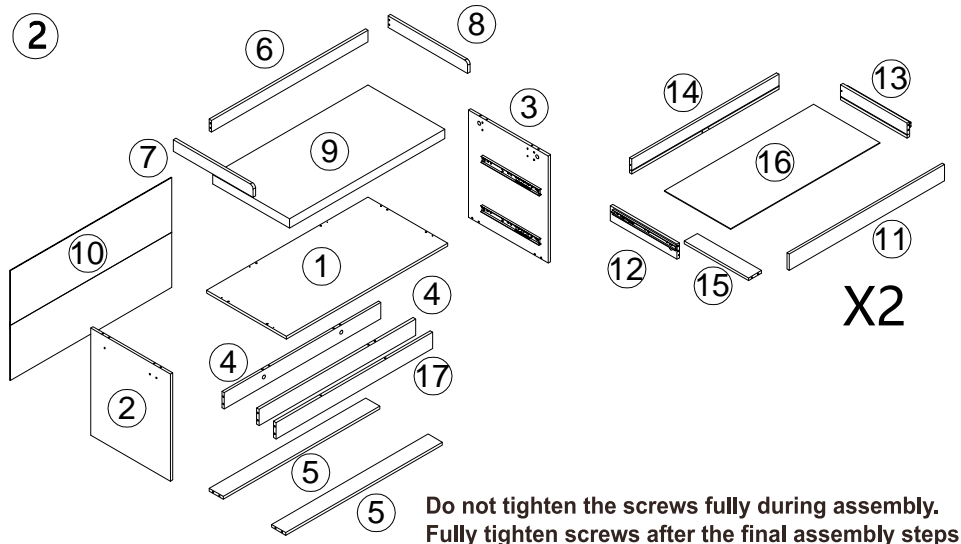


Tool required
(Not Provided)

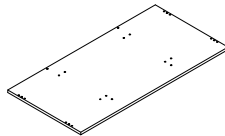
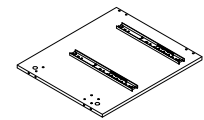
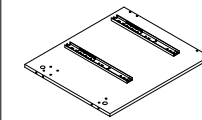
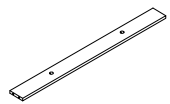
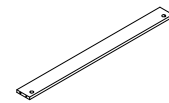
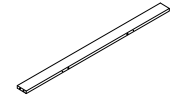


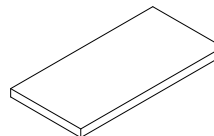
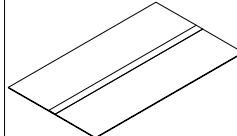
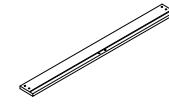

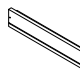
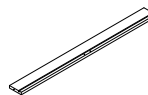
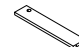
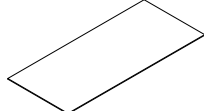
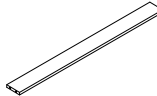


Tool required
Phillips Head Screw Driver
(Not Provided)

②

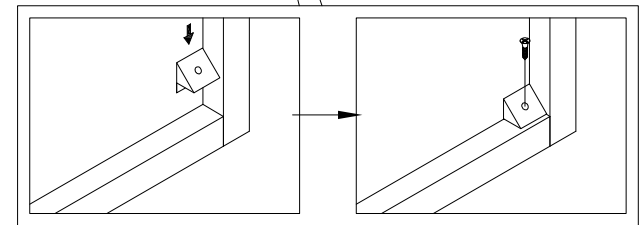
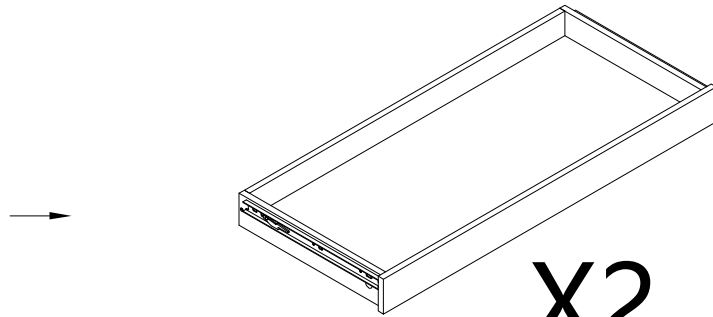
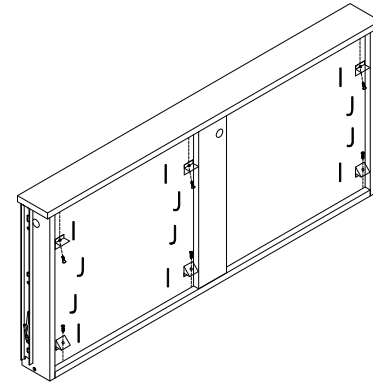
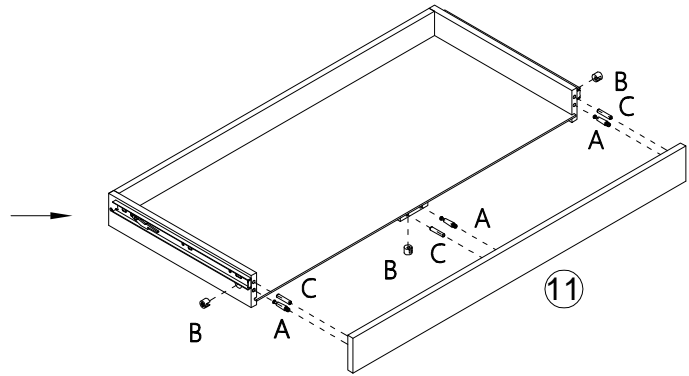
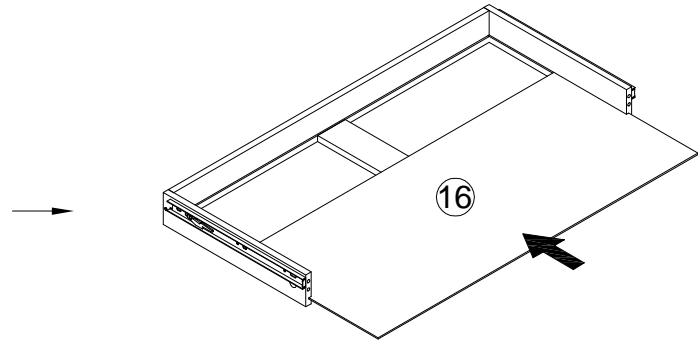
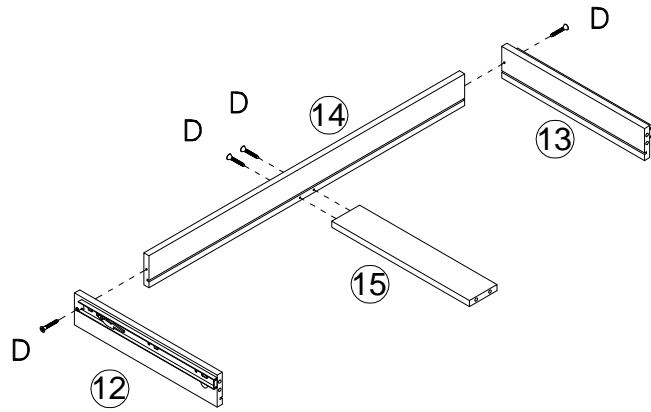


③

			
① 1PC	② 1PC	③ 1PC	④ 2PCS
			
⑤ 2PCS	⑥ 1PC	⑦ 1PC	⑧ 1PC
			
⑨ 1PC	⑩ 1PC	⑪ 2PCS	⑫ 2PCS
			
⑬ 2PCS	⑭ 2PCS	⑮ 2PCS	⑯ 2PCS
			
⑰ 1PC			

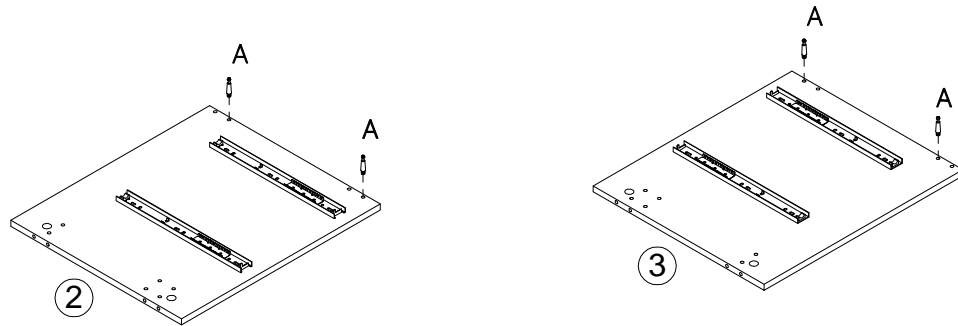
STEP 1:

- A x 6
- B x 6
- C x 6
- D x 8
- I x 12
- J x 12



STEP 2:

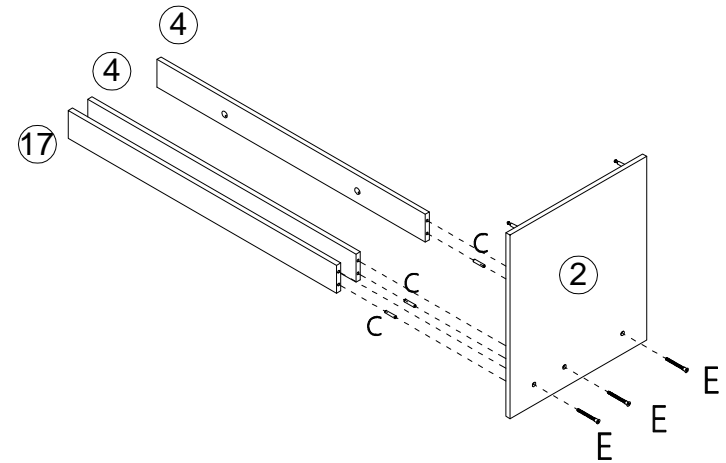
A x 4



STEP 3:

C x 3

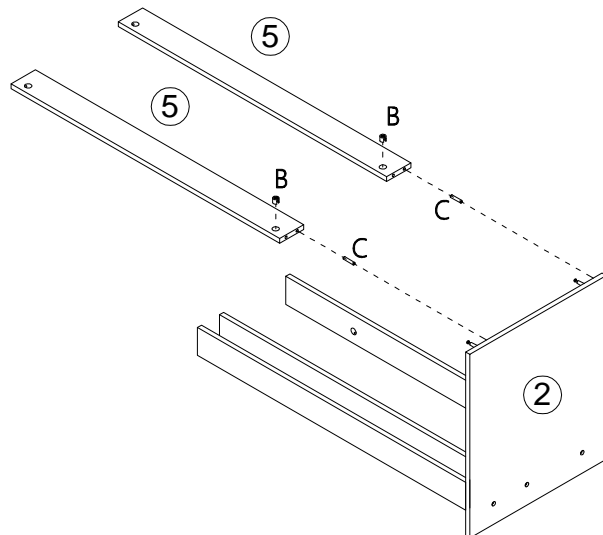
E x 3



STEP 4:

B x 2

C x 2

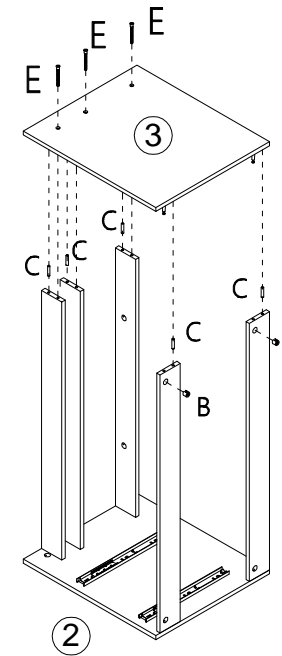


STEP 5:

B x 2

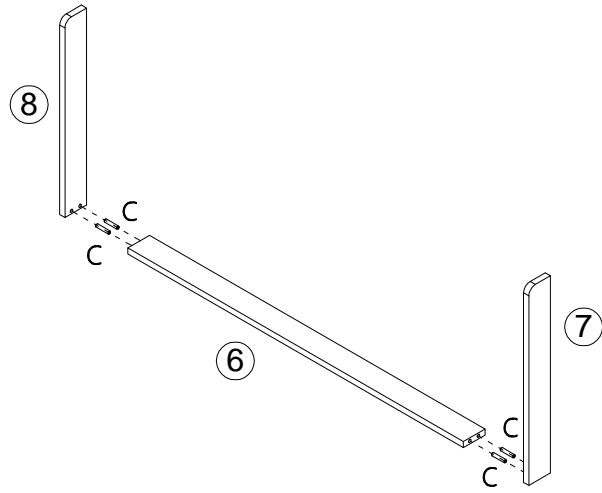
C x 5

E x 3



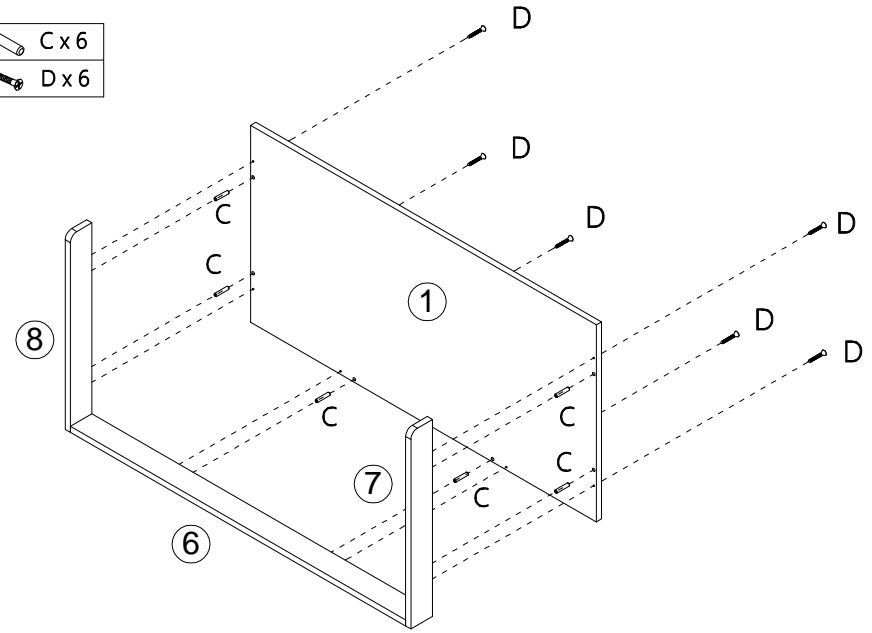
STEP 6:

C x 4



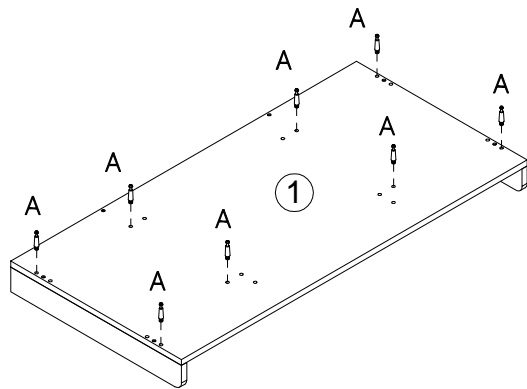
STEP 7:

C x 6
D x 6



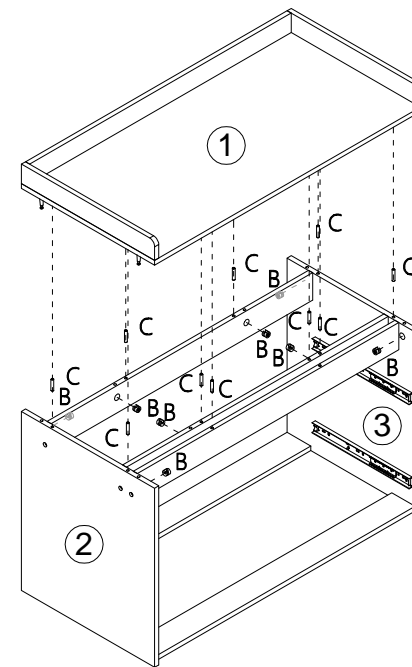
STEP 8:

A x 8



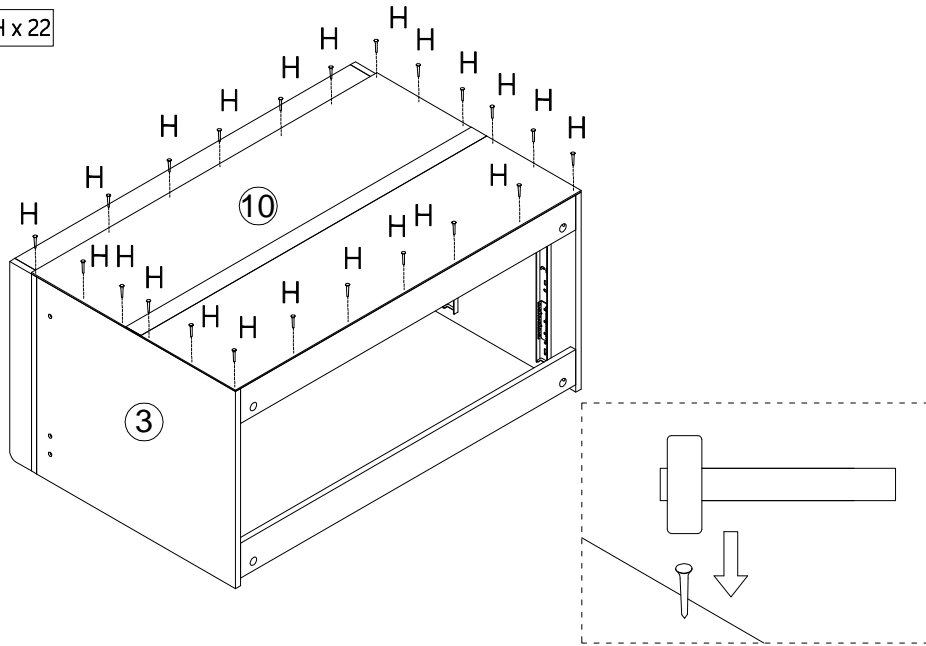
STEP 9:

B x 8
C x 10



STEP 10:

H x 22



STEP 11:

F x 6

