

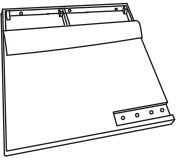
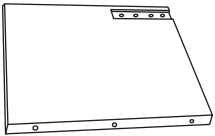








Assembly Instructions

43228447 DANNY TAN BEDHEAD

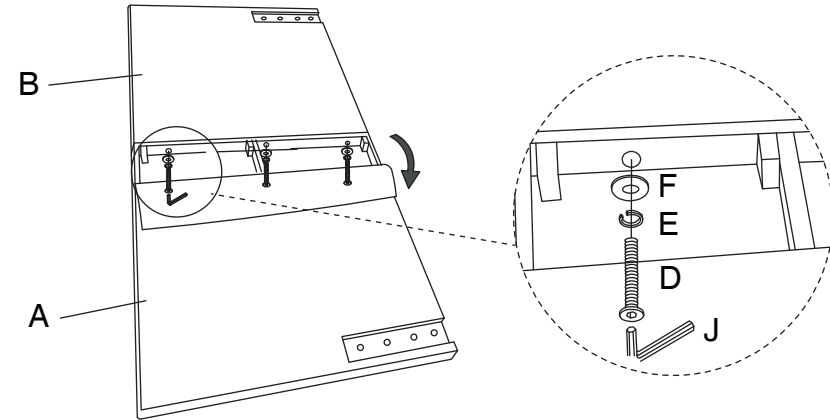
CARE INSTRUCTIONS: WIPE CLEAN WITH A DRY CLOTH. DO NOT USE ABRASIVE MATERIALS AND SOLVENTS. SPOT CLEAN IF NEEDED. CHECK AND TIGHTEN ALL PARTS REGULARLY. KEEP AWAY FROM WATER AND DIRECT SUNLIGHT. FOR INDOOR AND DOMESTIC USE.

WARNING: DO NOT STAND ON THE BEDHEAD SURFACE. DO NOT USE UNTIL ALL SCREWS, BOLTS AND KNOBS ARE FIRMLY SECURED. THIS PRODUCT CONTAINS SMALL PARTS AND SHARP POINTS, KEEP AWAY FROM CHILDREN AND BABIES. ADULT ASSEMBLY REQUIRED. DO NOT TIGHTEN THE SCREWS FULLY DURING ASSEMBLY. FULLY TIGHTEN SCREWS AFTER THE FINAL ASSEMBLY STEPS. FAILURE TO FOLLOW THESE WARNINGS COULD RESULT IN SERIOUS INJURY.

Hardware list

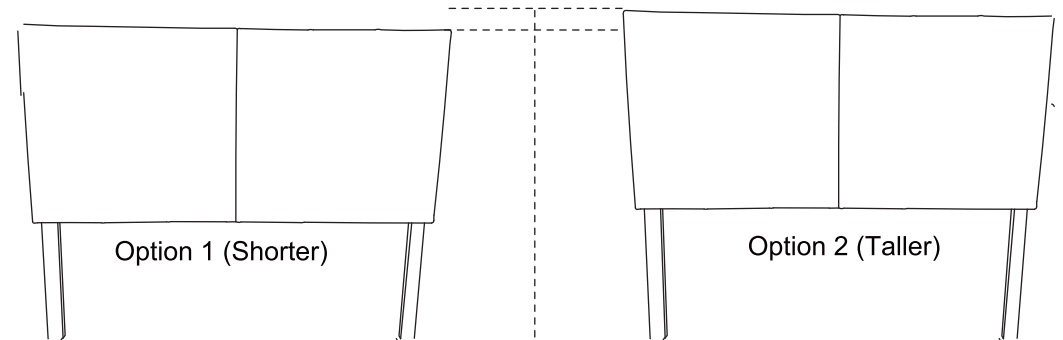
AX1 	BX1 
CX1 	DX3  M8x50mm
EX3  M8	FX3  M8
GX6  M6x30mm	HX6  M6
IX6  M6	JX1 

Step 1: Fix part A & B together with screws(D,E&F)using the hex key.

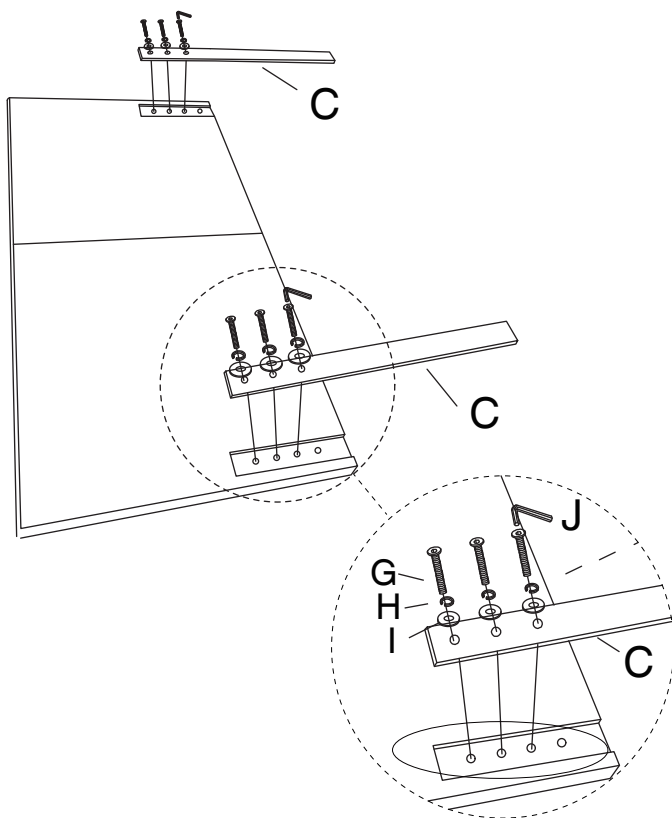


Step 2: Fix the legs(C)with screws(G,H&I)using hex key,aligning screws.

Note:The legs can be assembled at 2 different heights.



Option 1 (Shorter)



Option 2 (Taller)

