

Assembly Instructions









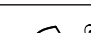



43228492 OAK LOOK HALL TABLE

WARNING: DO NOT STAND, SIT OR LEAN ON THIS TABLE. DO NOT USE THIS TABLE AS A STEP LADDER OR AS A CHOPPING SURFACE. ENSURE THIS TABLE IS USED ONLY ON A FLAT SURFACE. DO NOT USE THIS TABLE UNLESS ALL BOLTS AND SCREWS ARE FIRMLY SECURED. DO NOT PLACE HOT ITEMS SUCH AS COFFEE CUPS DIRECTLY ON THE SURFACE OF THIS FURNITURE ITEM.

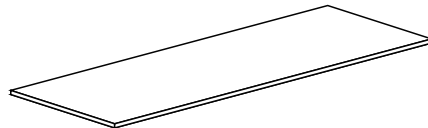
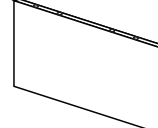
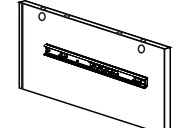
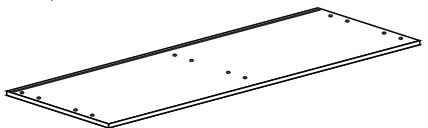
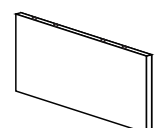
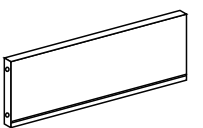
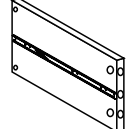
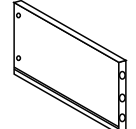
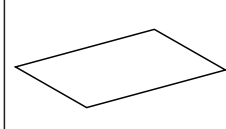
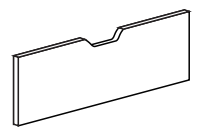
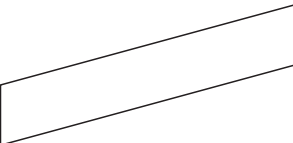
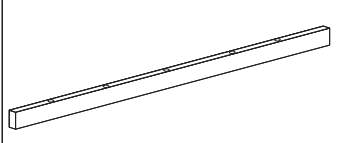

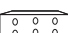

CARE INSTRUCTIONS: TO BE ASSEMBLED ON A CLEAN, DRY AND SMOOTH SURFACE. WIPE CLEAN WITH A SOFT DAMP CLOTH. NEVER USE SCOURERS, ABRASIVES OR CHEMICAL SOLVENTS. CHECK AND TIGHTEN ALL PARTS REGULARLY. KEEP AWAY FROM MOISTURE AND DIRECT SUNLIGHT. STORE IN A DRY PLACE. FOR INDOOR USE ONLY.

MAXIMUM SAFE LOAD: 10KGS FOR TOP PANEL, 5KGS FOR INSIDE DRAWER.

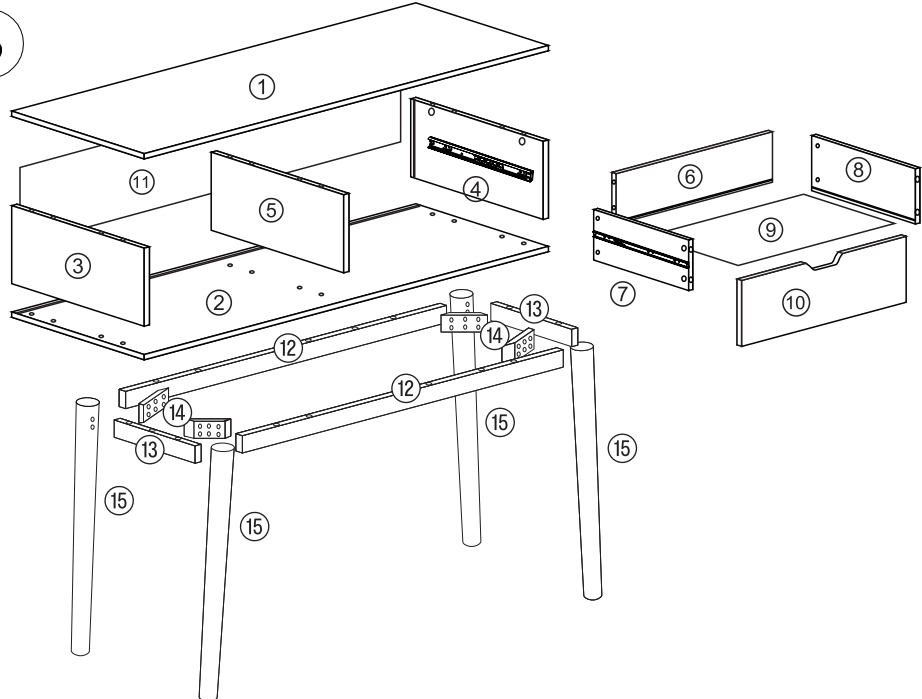
1 Hardware list

	A	∅6x35mm	10PCS		F	∅6x30mm ∅4x35mm	2PCS
	B	∅15x9.5mm	10PCS		G	∅4x30mm	4PCS
	C	∅4x40mm	6PCS		H	∅4x50mm	10PCS
	D	∅6x30mm	20PCS		I	∅4x25mm	16PCS
	E	20x150mm ∅4x14mm	2PCS		J	∅6x50mm	8PCS
	K				K		4PCS

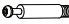


2

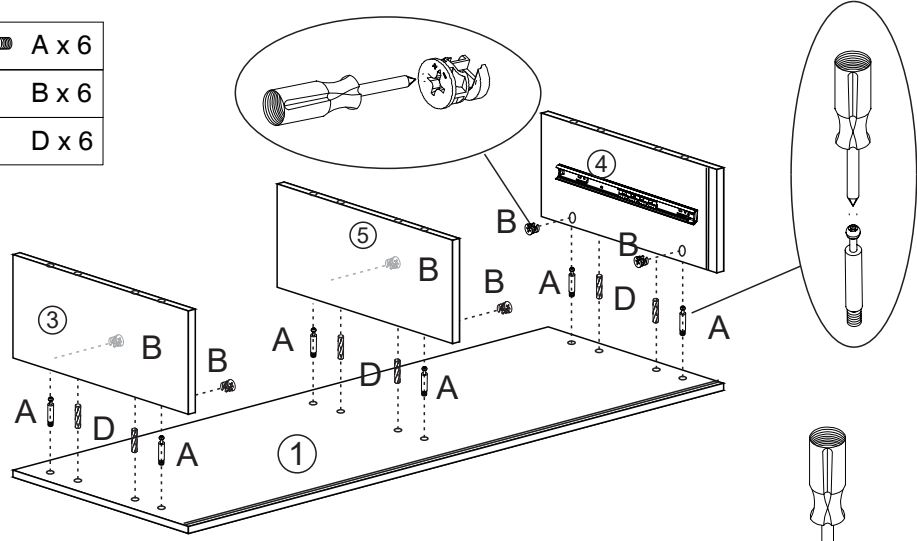
	1	1PC		3	1PC		4	1PC
	2	1PC		5	1PC		6	1PC
	7	1PC		8	1PC		9	1PC
	10	1PC		11	1PC		12	2PCS
	13	2PCS		14	4PCS		15	4PCS

3





Step 1:

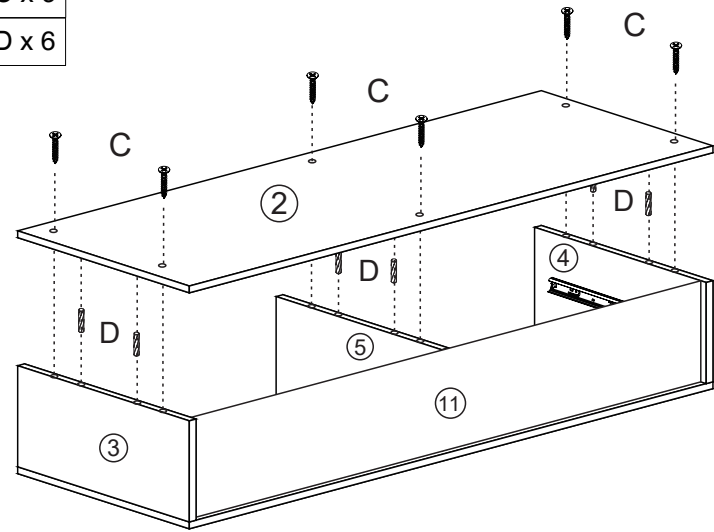
	A x 6
	B x 6
	D x 6



Tool required
Philips Head Screw Driver
(Not Provided)

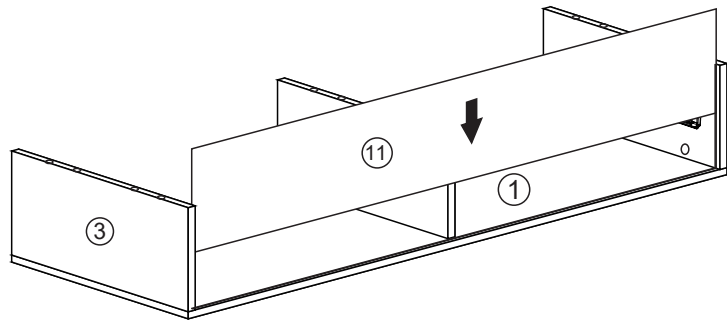
Step 3:

	C x 6
	D x 6



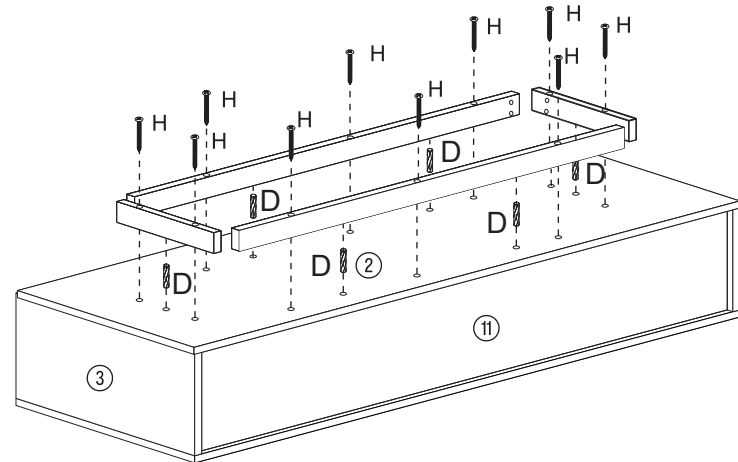
Tool required
Philips Head Screw Driver
(Not Provided)

Step 2:



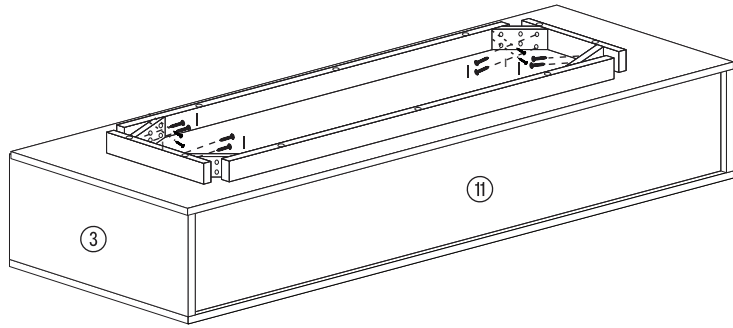
Step 4:

	D x 6
	H x 10



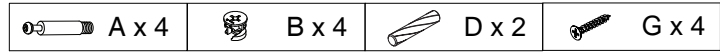
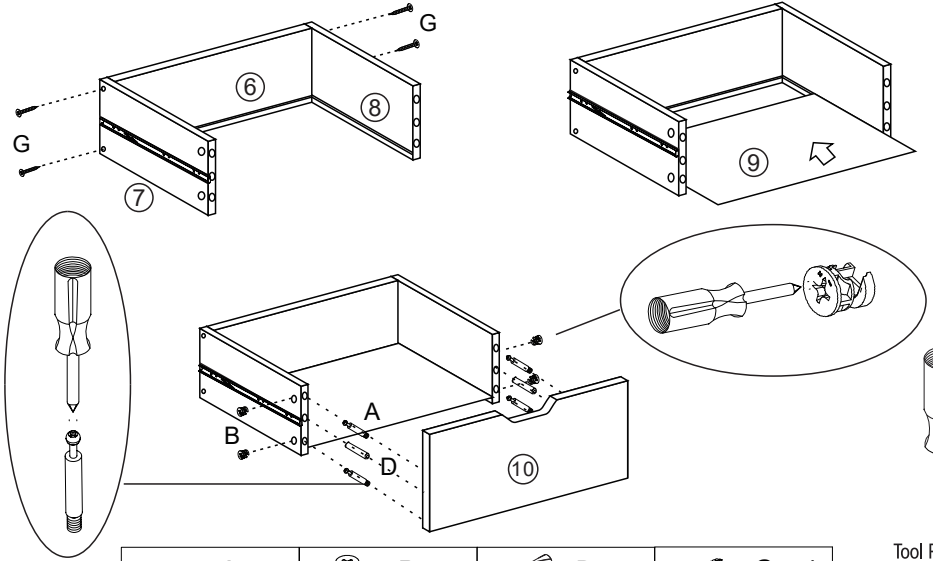
Tool Required
Philips Head Screw Driver
(Not Provided)

Step 5:



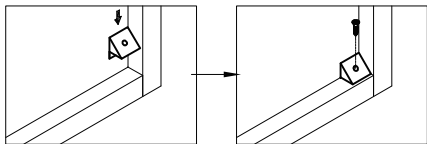
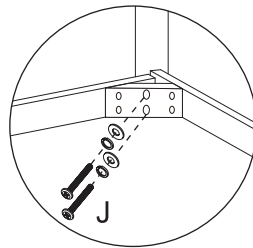
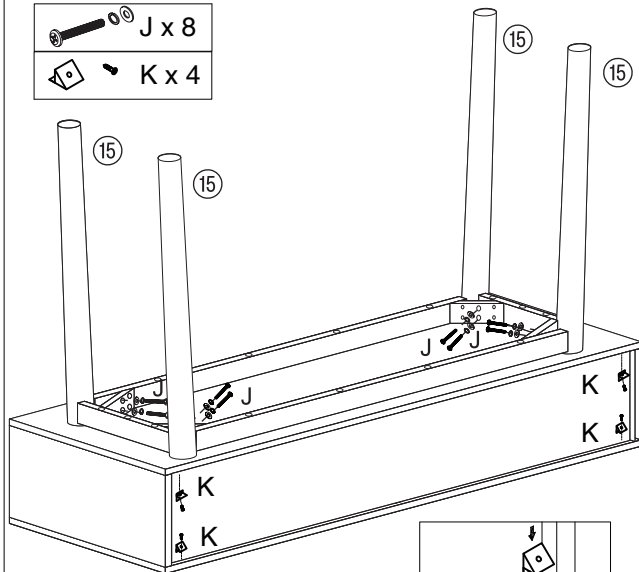
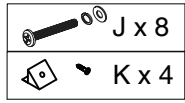
Tool Required
Philips Head Screw Driver
(Not Provided)

Step 7:



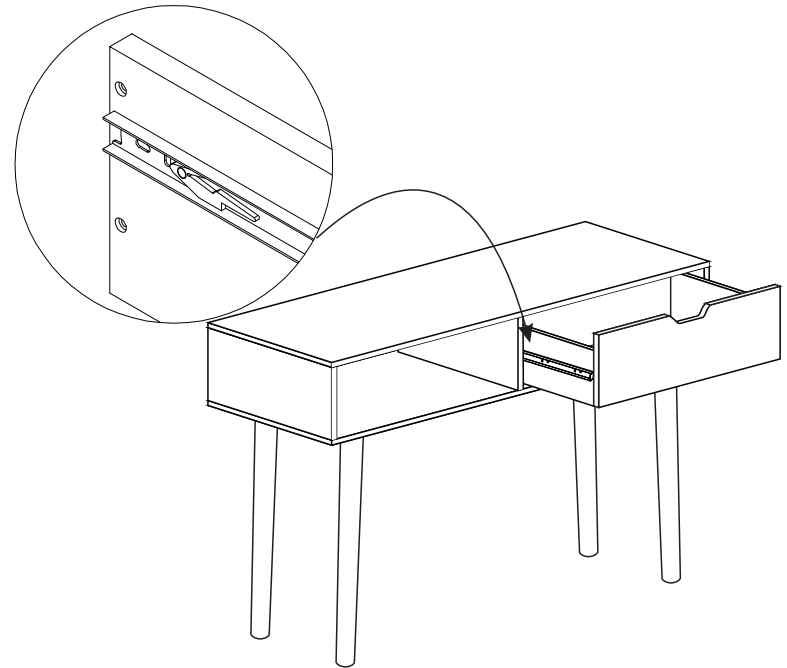
Tool Required
Philips Head Screw Driver
(Not Provided)

Step 6:

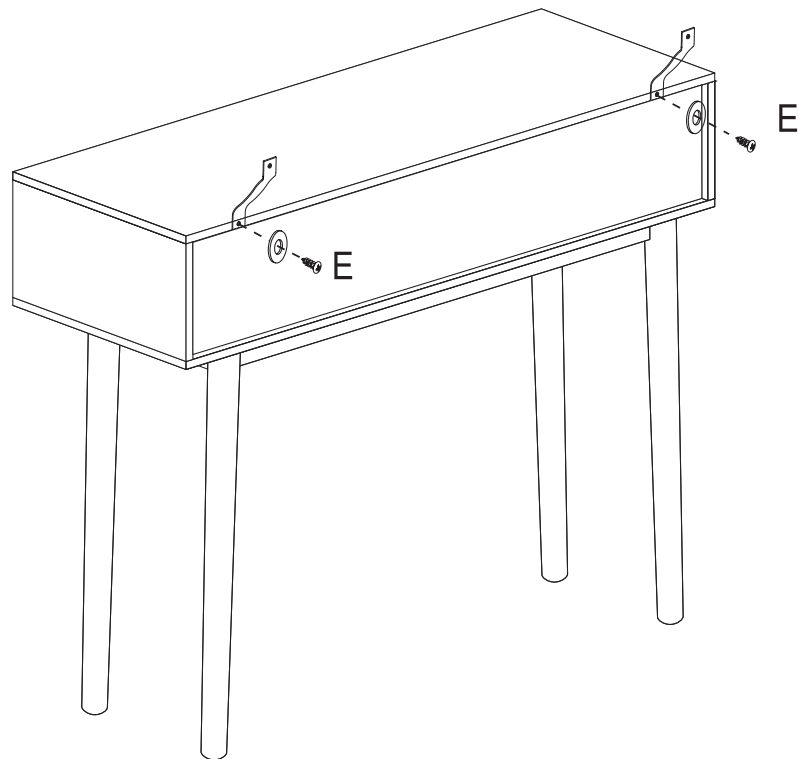


Tool Required
Philips Head Screw Driver
(Not Provided)

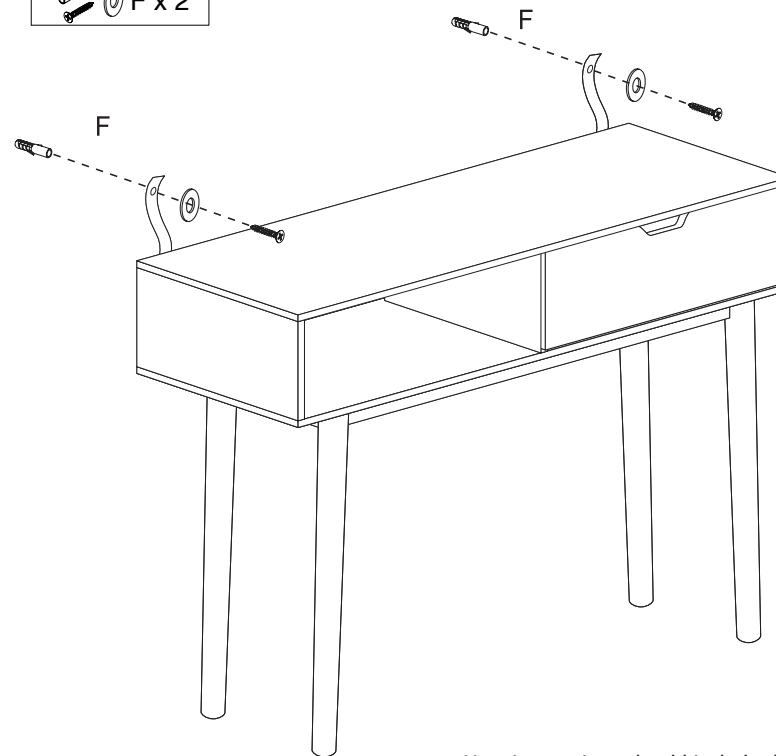
Step 8:



Step 9:



Step 10:



User instructions should include the wording:

- **It is strongly recommended that this product is permanently fixed to the wall.**
- **Please seek professional advice if you are in doubt of what fixing device to use.**
- **Regularly check that anchors are securely maintained.**
- **Stability of tall items may be affected by thick pile carpet or uneven floors .**
- **Do not place unanchored televisions on furniture .**

CAUTION: for your safety when attaching the anchor fixings, please note the following:

- **Check any electrical wires or plumbing inside the wall before drilling any holes (if you are unsure please seek professional advice from a qualified tradesperson).**



WARNING: PLEASE SECURE YOUR FURNITURE WITH THE SUPPLIED WALL FIXING. SCAN THE CODE FOR MORE INFORMATION.

