

Assembly Instructions

43228645 OAK LOOK BEDSIDE TABLE

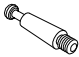




WARNING: DO NOT STAND, SIT OR LEAN ON THIS UNIT. DO NOT USE THIS UNIT AS A STEP LADDER OR AS A CHOPPING SURFACE. ENSURE THIS UNIT IS USED ONLY ON A FLAT SURFACE. DO NOT USE THIS UNIT UNLESS ALL BOLTS AND SCREWS ARE FIRMLY SECURED. DO NOT PLACE HOT ITEMS SUCH AS COFFEE CUPS DIRECTLY ON THE SURFACE OF THIS FURNITURE ITEM.


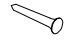



CARE INSTRUCTIONS: TO BE ASSEMBLED ON A CLEAN, DRY AND SMOOTH SURFACE. WIPE CLEAN WITH A SOFT DAMP CLOTH. NEVER USE SCOURERS, ABRASIVES OR CHEMICAL SOLVENTS. CHECK AND TIGHTEN ALL PARTS REGULARLY. KEEP AWAY FROM MOISTURE AND DIRECT SUNLIGHT. STORE IN A DRY PLACE. FOR INDOOR USE ONLY.

MAXIMUM SAFE LOAD: 10KGS FOR TOP PANEL, 5KGS FOR DRAWER, 5KGS FOR SHELF.

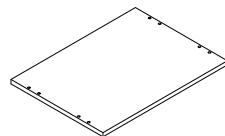
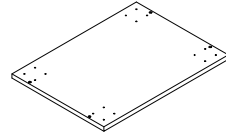
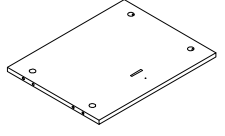
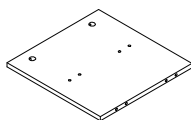
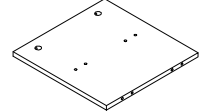
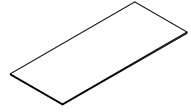
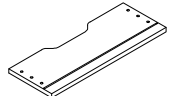
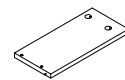
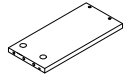
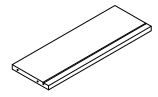
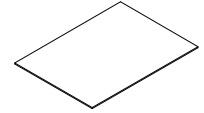
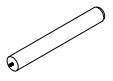
1

Hardware list

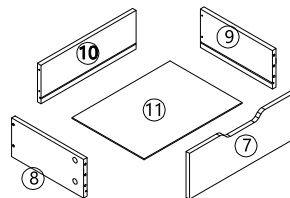
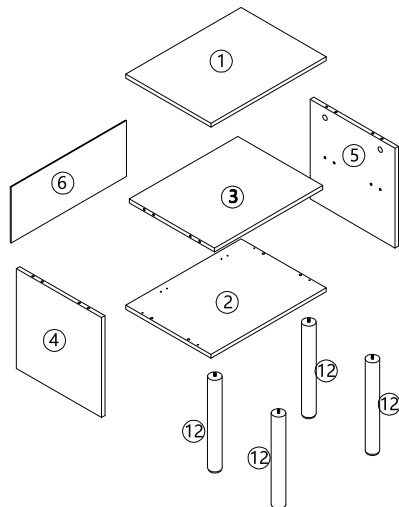
	A	M6x35mm	12pcs
	B	Ø15x9.5mm	12pcs
	C	Ø6x30mm	14pcs
	D	M4x35mm	8pcs
	E		4pcs

	F	M3.5x10mm	16pcs
	G	M2x16mm	6pcs
	H		1pc
	I		2pcs
	J	M3x12mm	4pcs

2

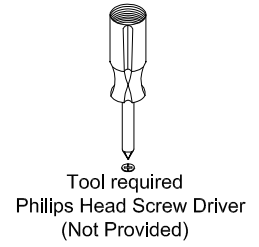
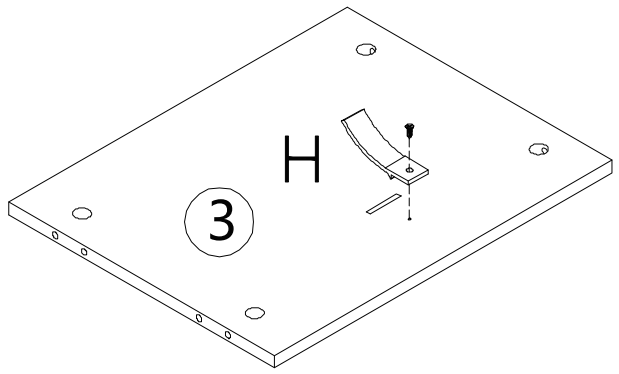
		
① 1PC	② 1PC	③ 1PC
		
④ 1PC	⑤ 1PC	⑥ 1PC
		
⑦ 1PC	⑧ 1PC	⑨ 1PC
		
⑩ 1PC	⑪ 1PC	⑫ 4PCS

3





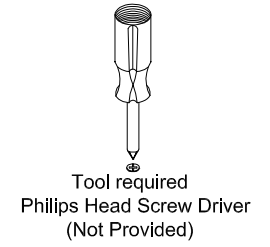
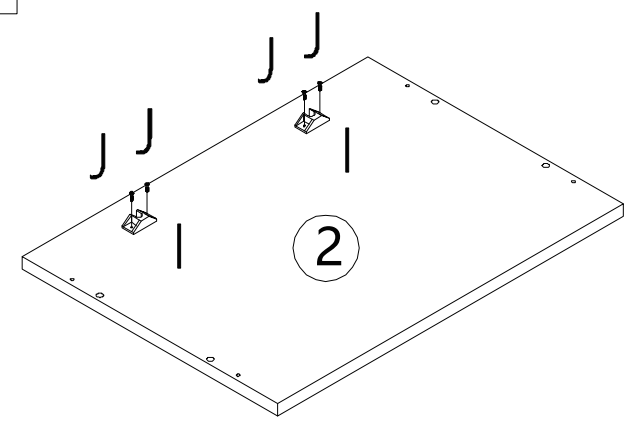
Step 1:

-  H x 1






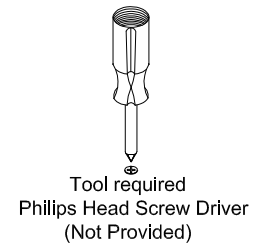
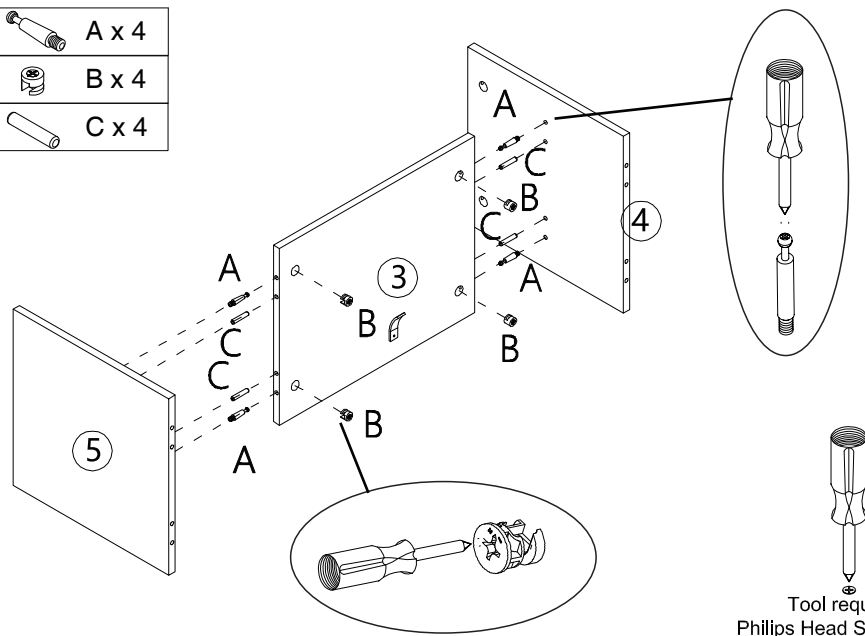
Step 3:

-  I x 2
-  J x 4







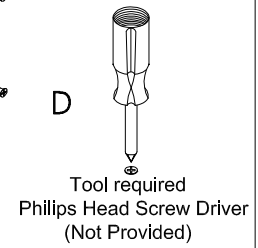
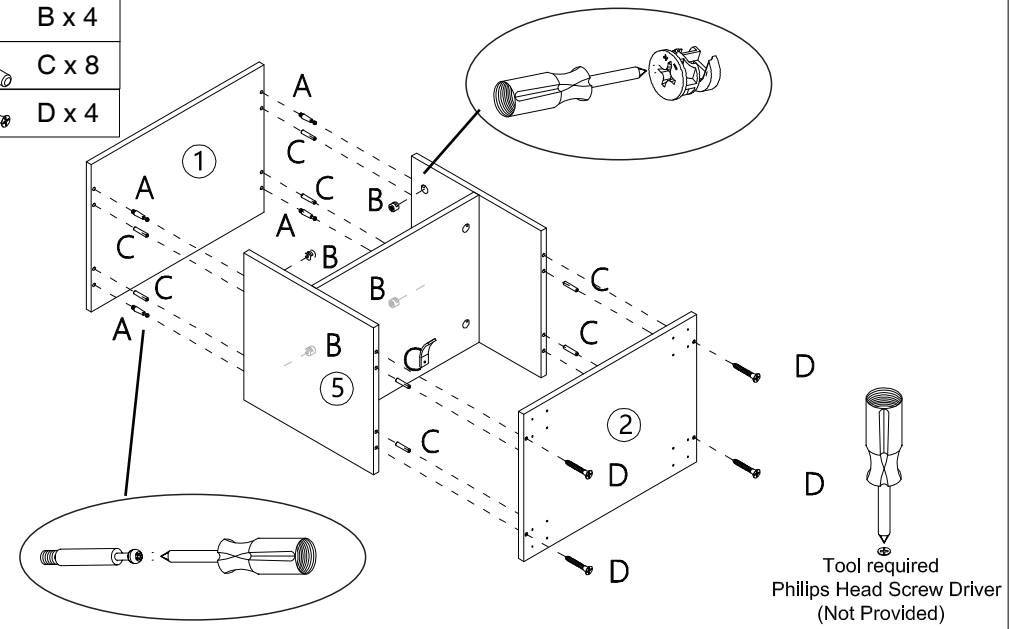
Step 2:

-  A x 4
-  B x 4
-  C x 4






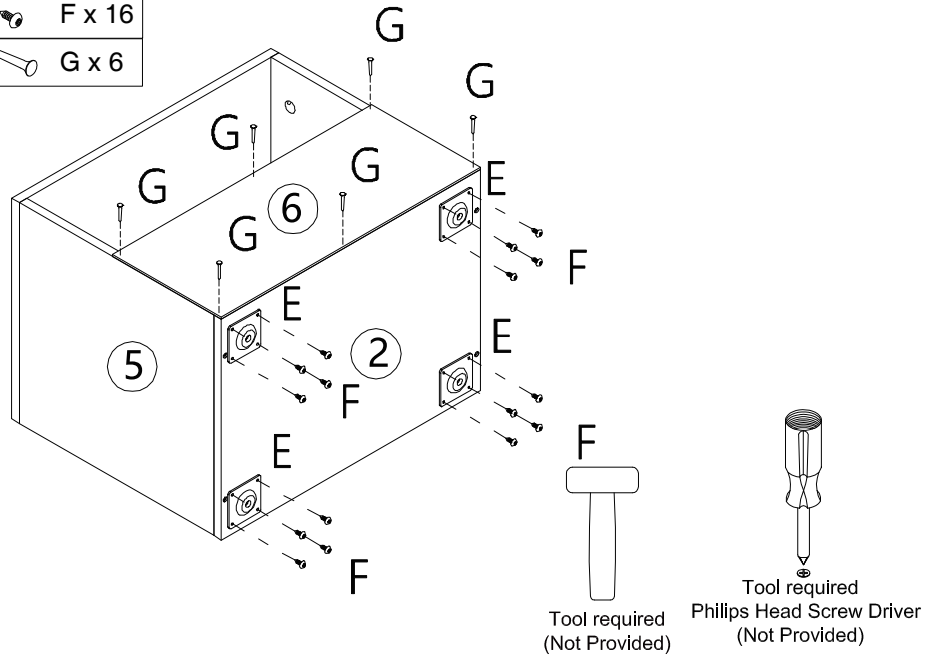
Step 4:

-  A x 4
-  B x 4
-  C x 8
-  D x 4



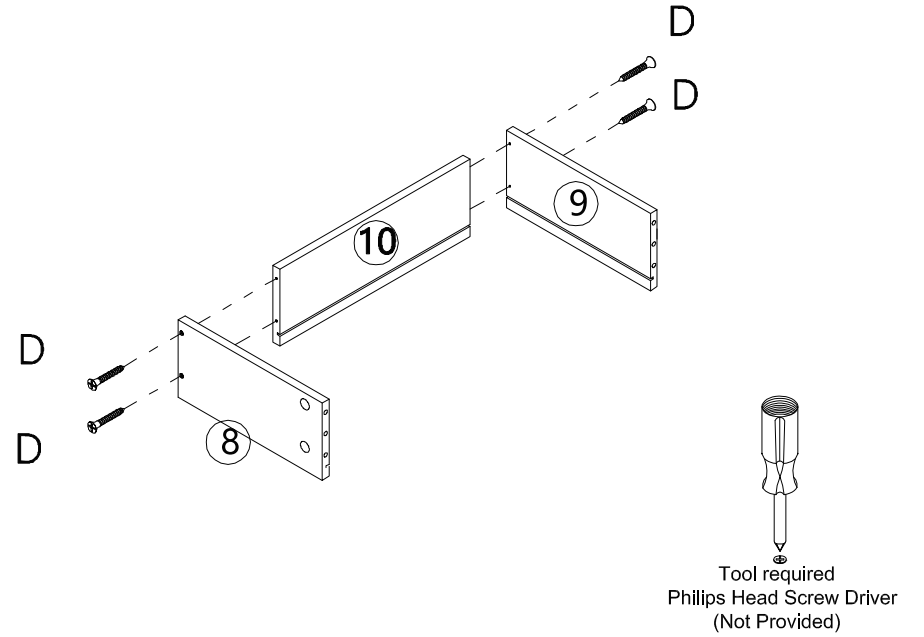
Step 5:

-  E x 4
-  F x 16
-  G x 6

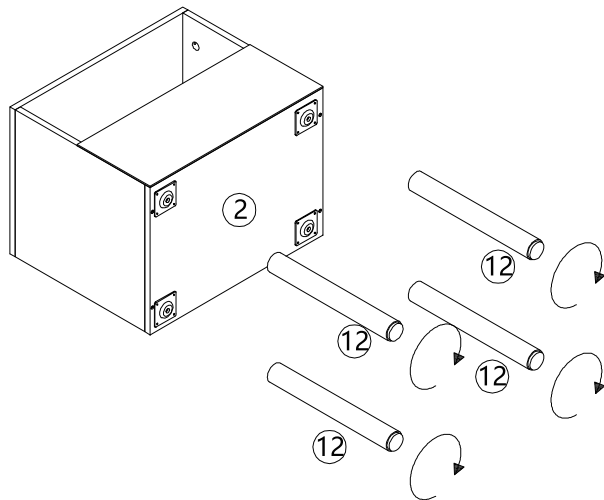


Step 7:

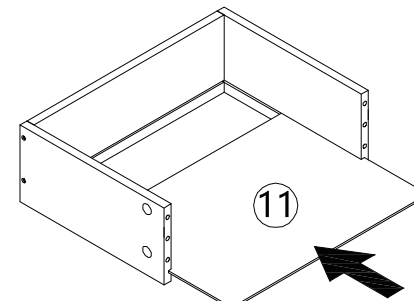
-  D x 4






Step 6:

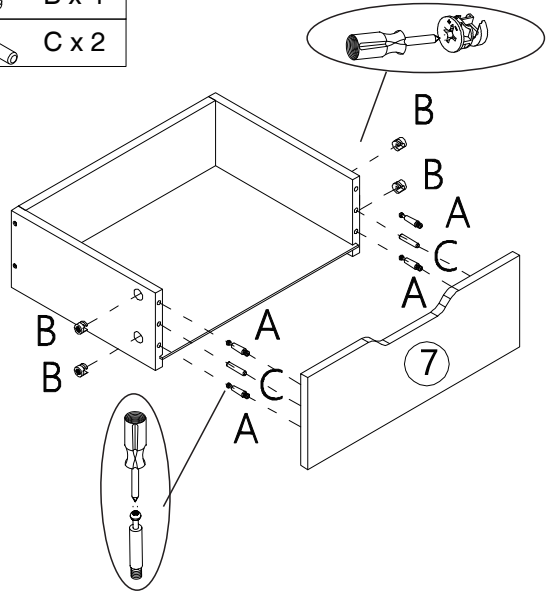


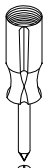
Step 8:



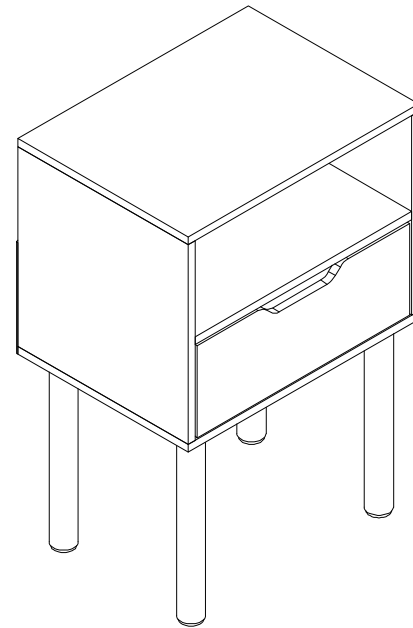
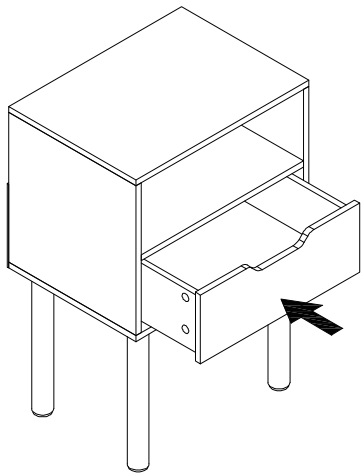
step 9:

- | | |
|---|-------|
|  | A x 4 |
|  | B x 4 |
|  | C x 2 |




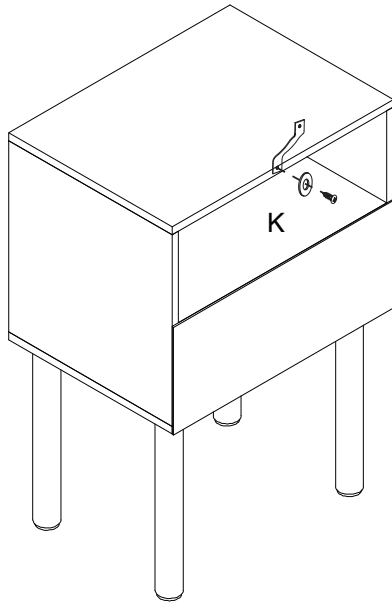

Tool required
Phillips Head Screw Driver
(Not Provided)

step 10:



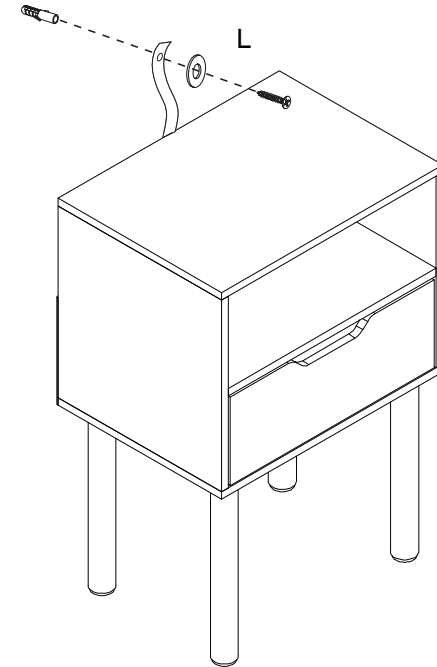
step 11:

 K x 1



step 12:

 L x 1



User instructions should include the wording:

- **It is strongly recommended that this product is permanently fixed to the wall.**
- **Please seek professional advice if you are in doubt of what fixing device to use.**
- **Regularly check that anchors are securely maintained.**
- **Stability of tall items may be affected by thick pile carpet or uneven floors .**
- **Do not place unanchored televisions on furniture .**

CAUTION: for your safety when attaching the anchor fixings, please note the following:

- **Check any electrical wires or plumbing inside the wall before drilling any holes (if you are unsure please seek professional advice from a qualified tradesperson).**



TOPPLING HAZARD

WARNING: PLEASE SECURE
YOUR FURNITURE WITH
THE SUPPLIED WALL
FIXING. SCAN THE CODE
FOR MORE INFORMATION.

