

Assembly Instructions




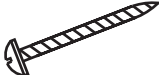

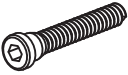









43228898 A FRAME DESK

CARE INSTRUCTIONS: WIPE CLEAN WITH A DAMP OR DRY CLOTH. DO NOT USE ABRASIVE MATERIALS AND SOLVENTS. DO NOT PLACE HOT ITEMS SUCH AS COFFEE CUPS DIRECTLY ON THE SURFACE. KEEP AWAY FROM WATER AND DIRECT SUNLIGHT.

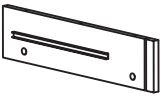

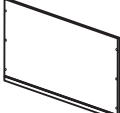

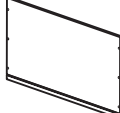



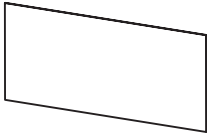



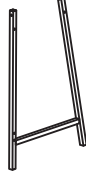

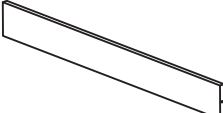
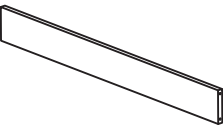
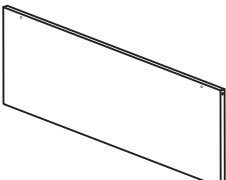
WARNING: DO NOT STAND OR SIT ON THIS UNIT. DO NOT USE THIS UNIT UNLESS ALL BOLTS AND SCREWS ARE FIRMLY SECURED. USE ONLY ON A FLAT SURFACE. THIS PACKAGE CONTAINS SMALL PARTS AND SHARP POINTS KEEP AWAY FROM CHILDREN AND BABIES. ADULT ASSEMBLY REQUIRED. A MILD ODOUR MAY BE PRESENT WHEN FIRST OPENING THIS CARTON. SIMPLY ALLOW TO AIR OUTSIDE AND THIS WILL FADE.

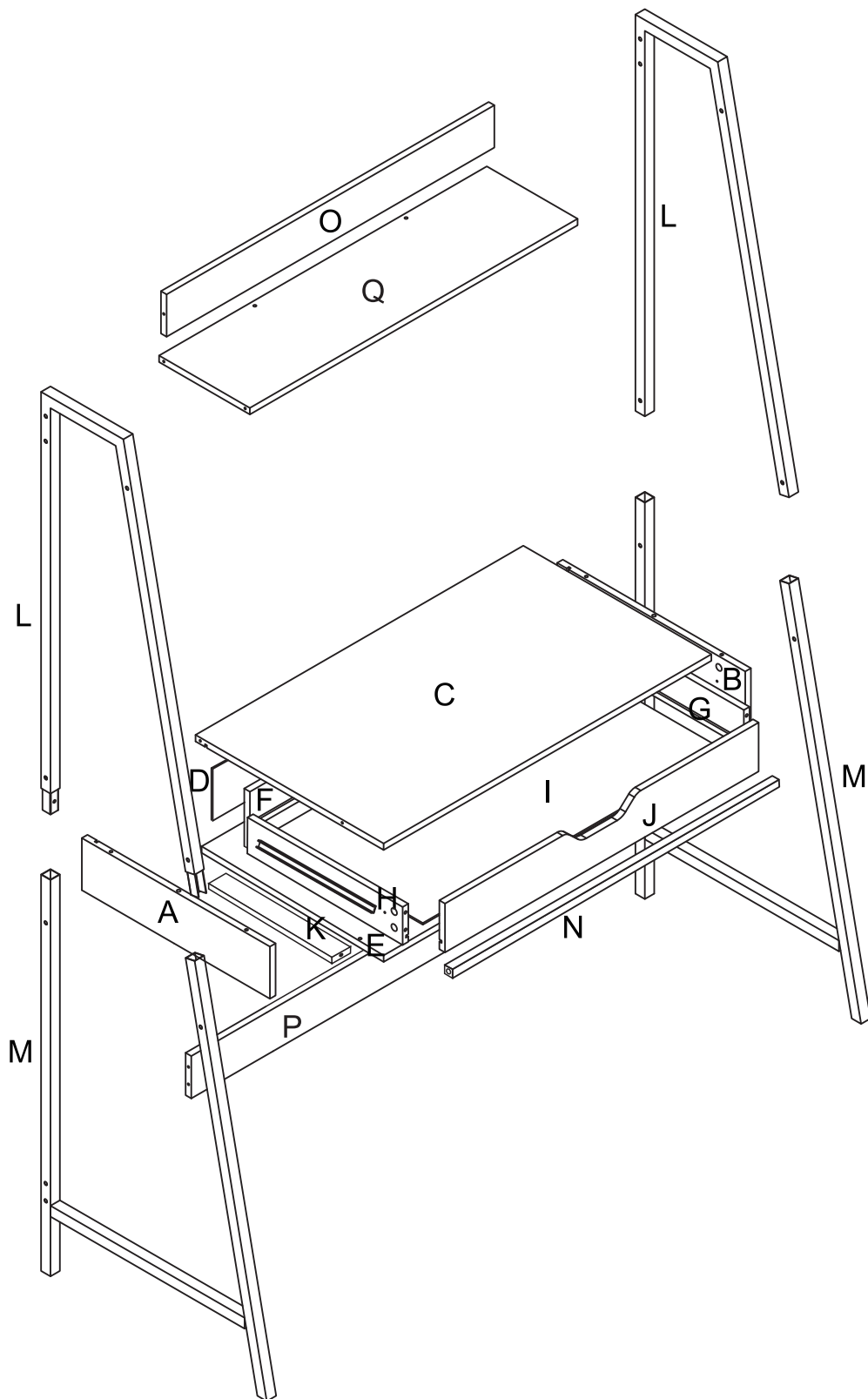
MAXIMUM SAFE LOAD: 3KG FOR TOP SHELF, 25KG FOR DESK TOP, 5KG FOR DRAWER.

1 Hardware List

①  9 Pcs	②  9 Pcs	③  M6 4 Pcs	④  M4x30 12 Pcs	⑤  M6x15 4 Pcs
⑥  M5x40 12 Pcs	⑦  4 Pcs	⑧  M6x75 4 Pcs	⑨  M6x30 2 Pcs	⑩  M4x20 2 Pcs
⑪  2 Pcs	⑫  2 Pcs	⑬  M4x40 2 Pcs	⑭  M4 1 Pc	⑮  M3 1 Pc

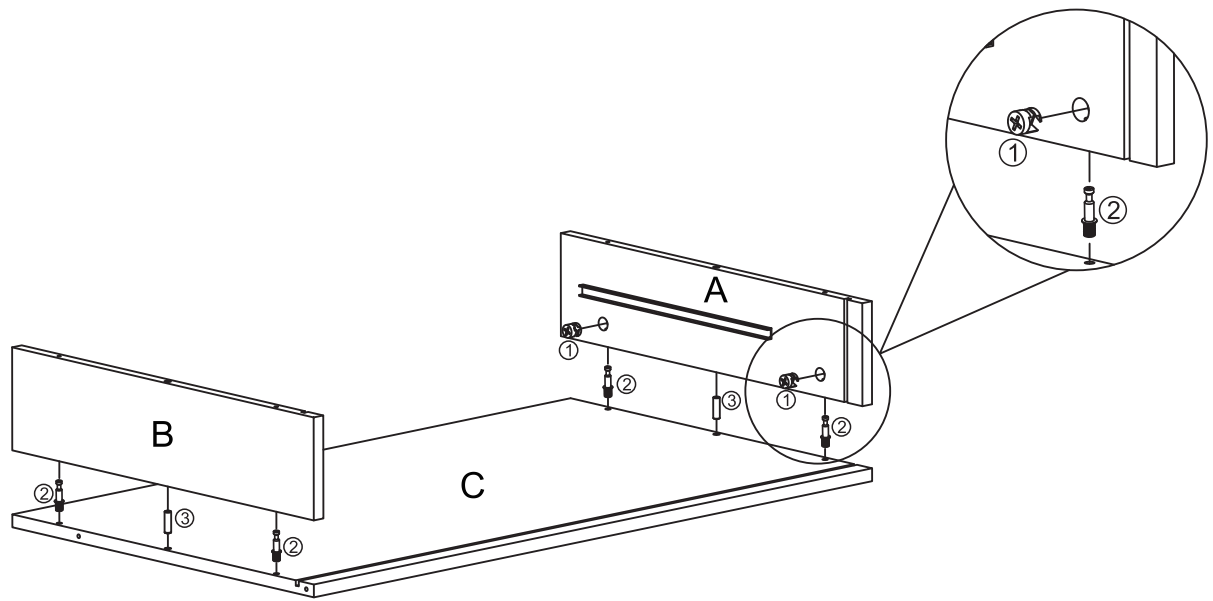
2 Parts List

A  1 Pc	B  1 Pc	C  1 Pc	D  1 Pc	E  1 Pc
F  1 Pc	G  1 Pc	H  1 Pc	I  1 Pc	J  1 Pc
K  1 Pc	L  2 Pcs	M  2 Pcs	N  1 Pc	O  1 Pc
P  1 Pc	Q  1 Pc			

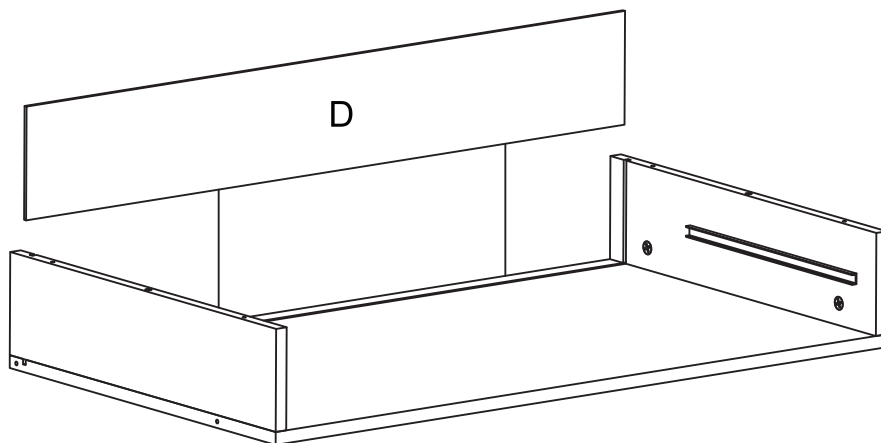


ATTENTION:
DO NOT TIGHTEN THE SCREWS FULLY
DURING ASSEMBLY. FULLY TIGHTEN
SCREWS AFTER THE FINAL ASSEMBLY
STEP.

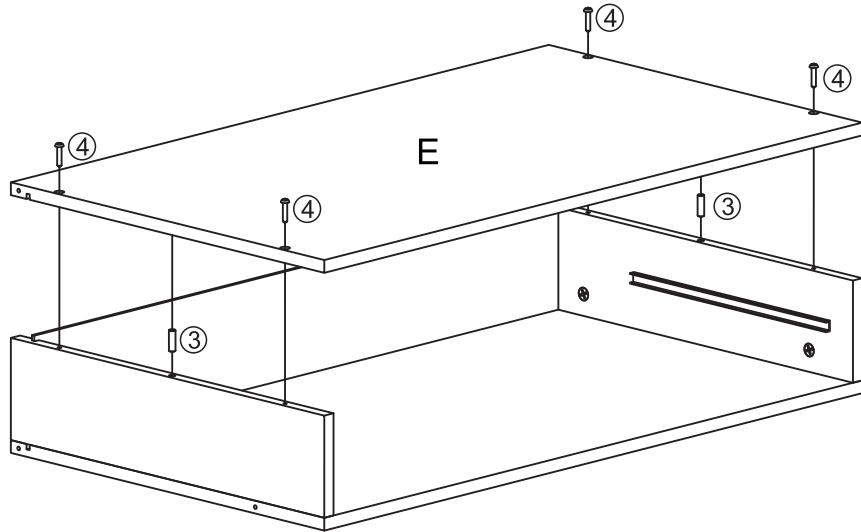
Step: 1



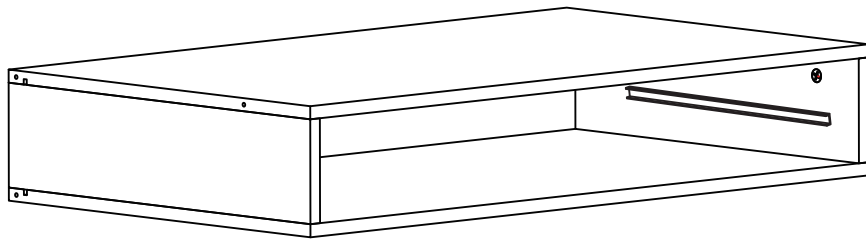
Step: 2



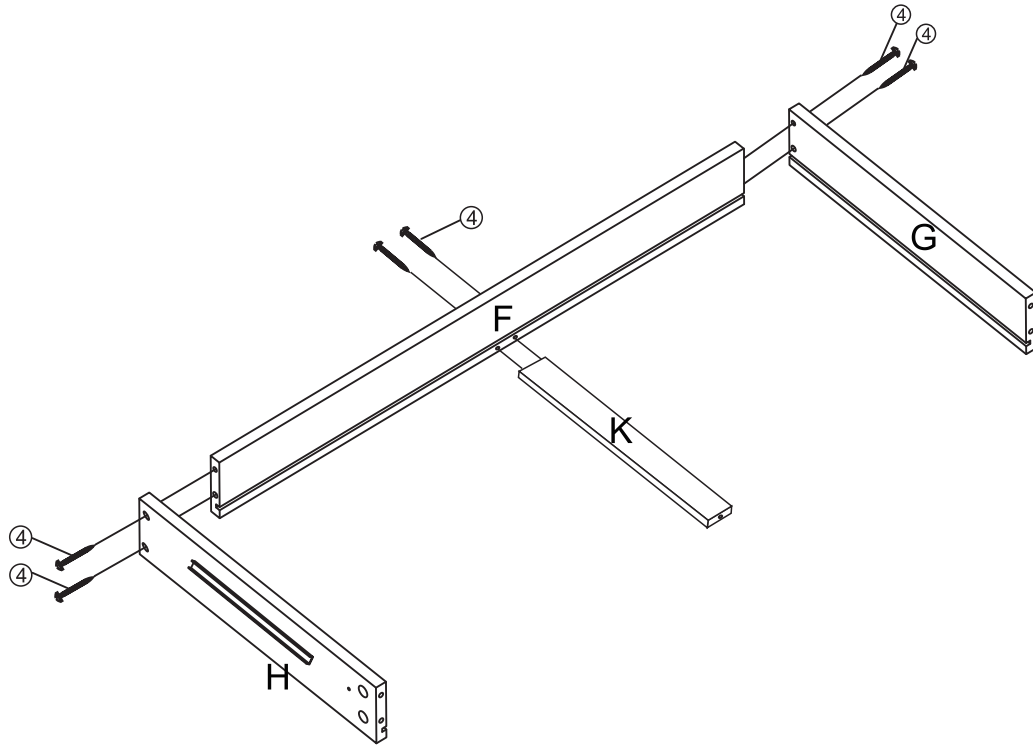
Step: 3



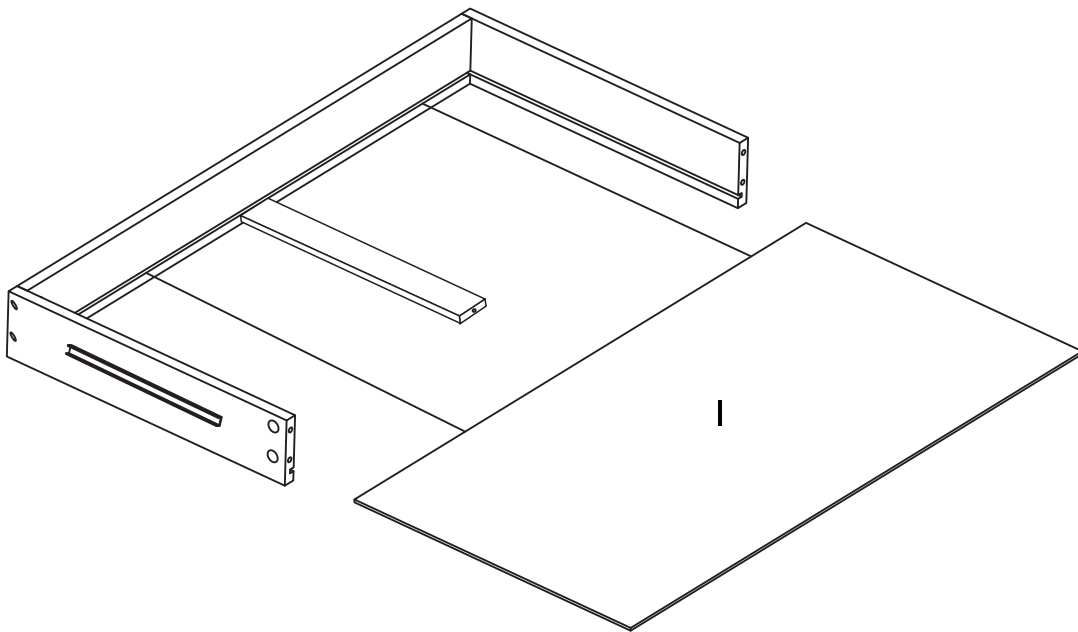
Step: 4



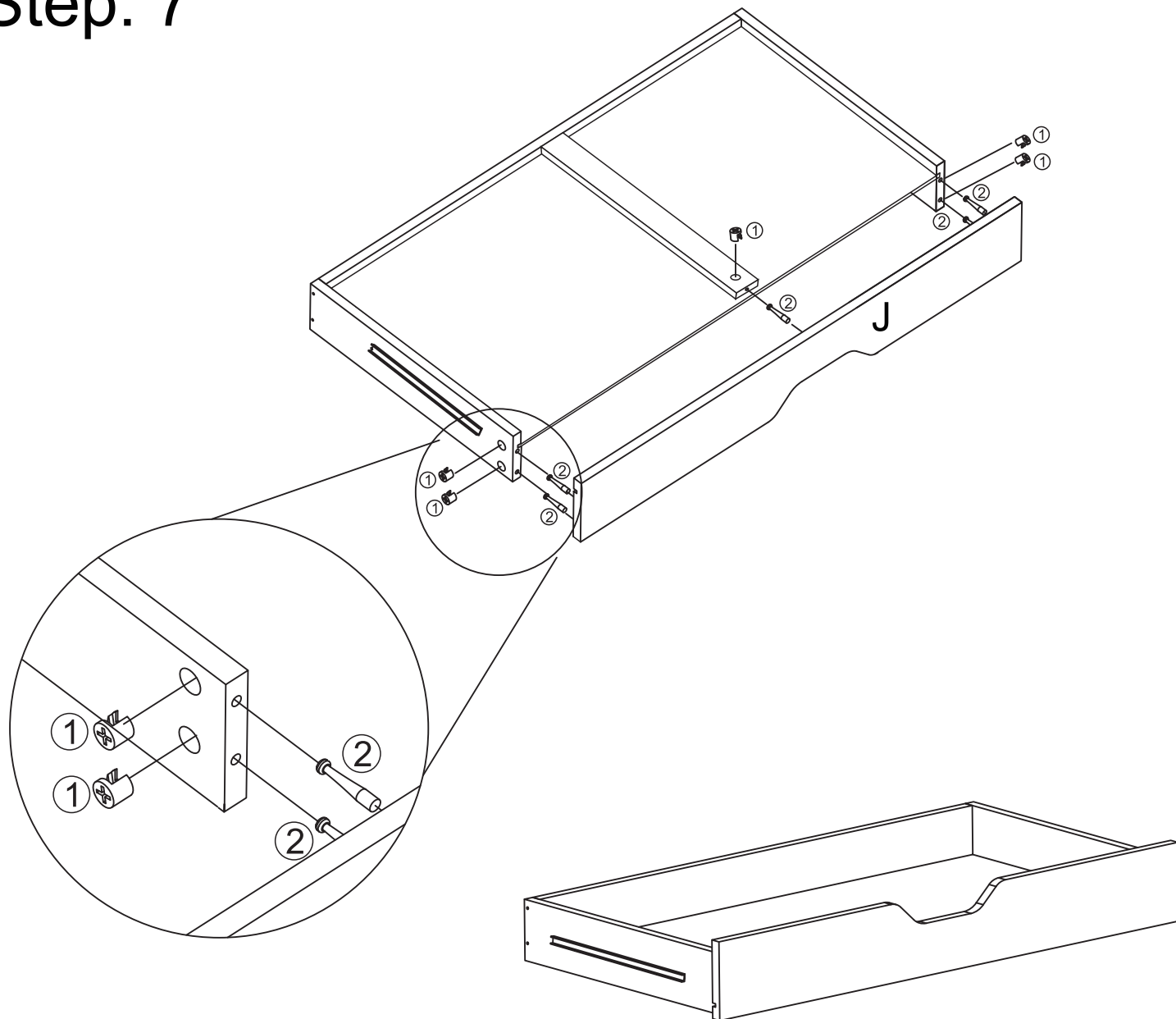
Step: 5



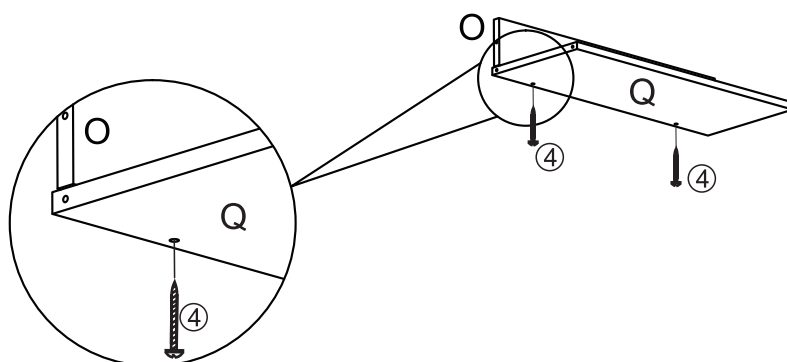
Step: 6



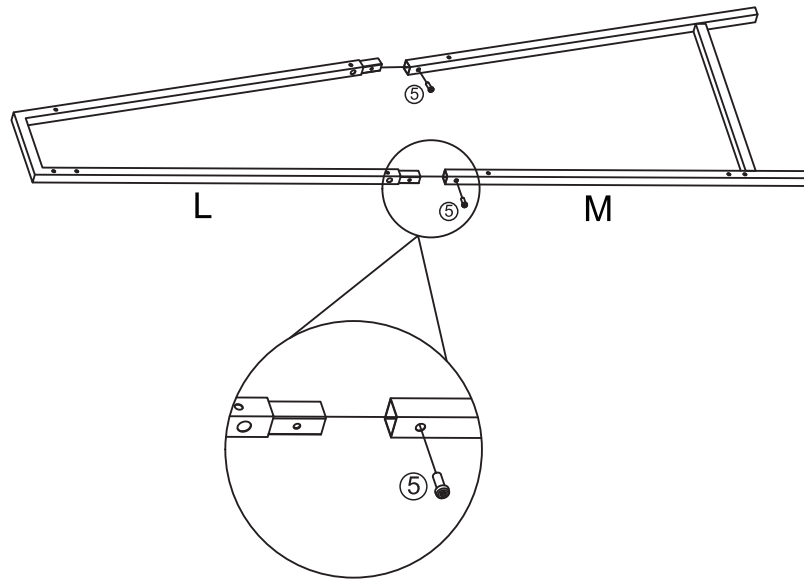
Step: 7



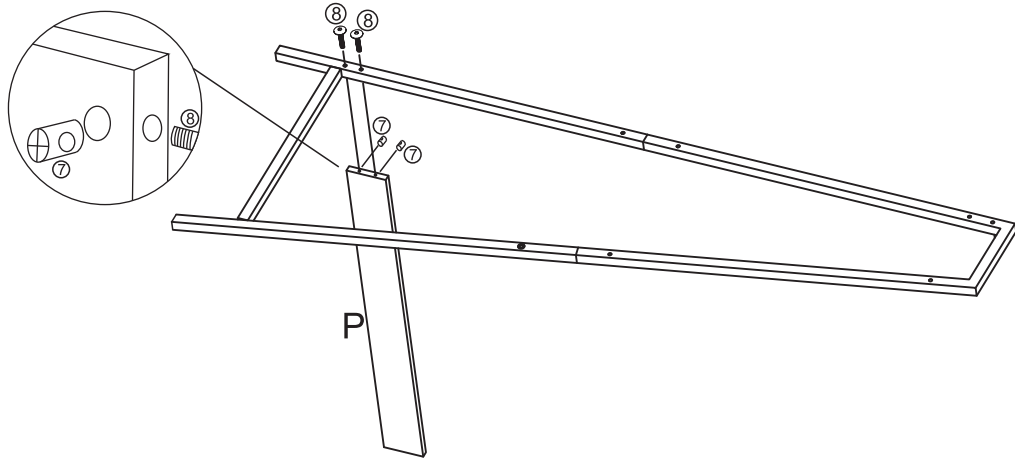
Step: 8



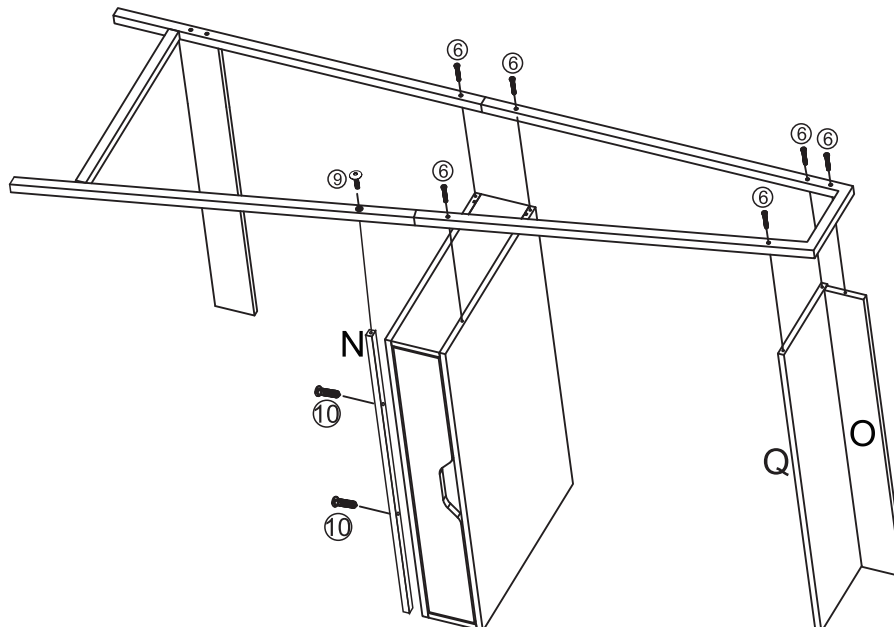
Step: 9



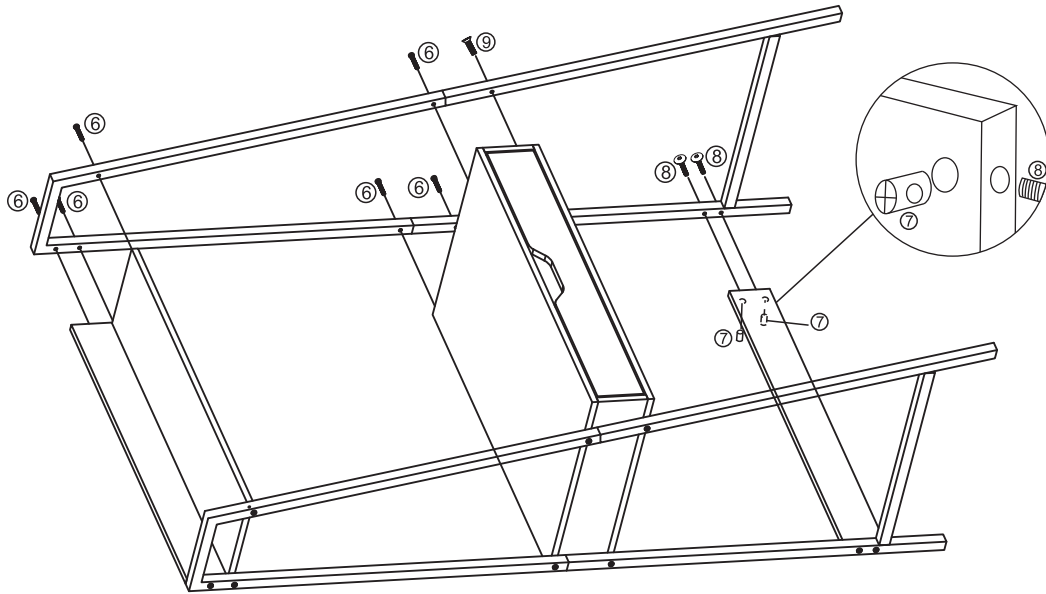
Step: 10



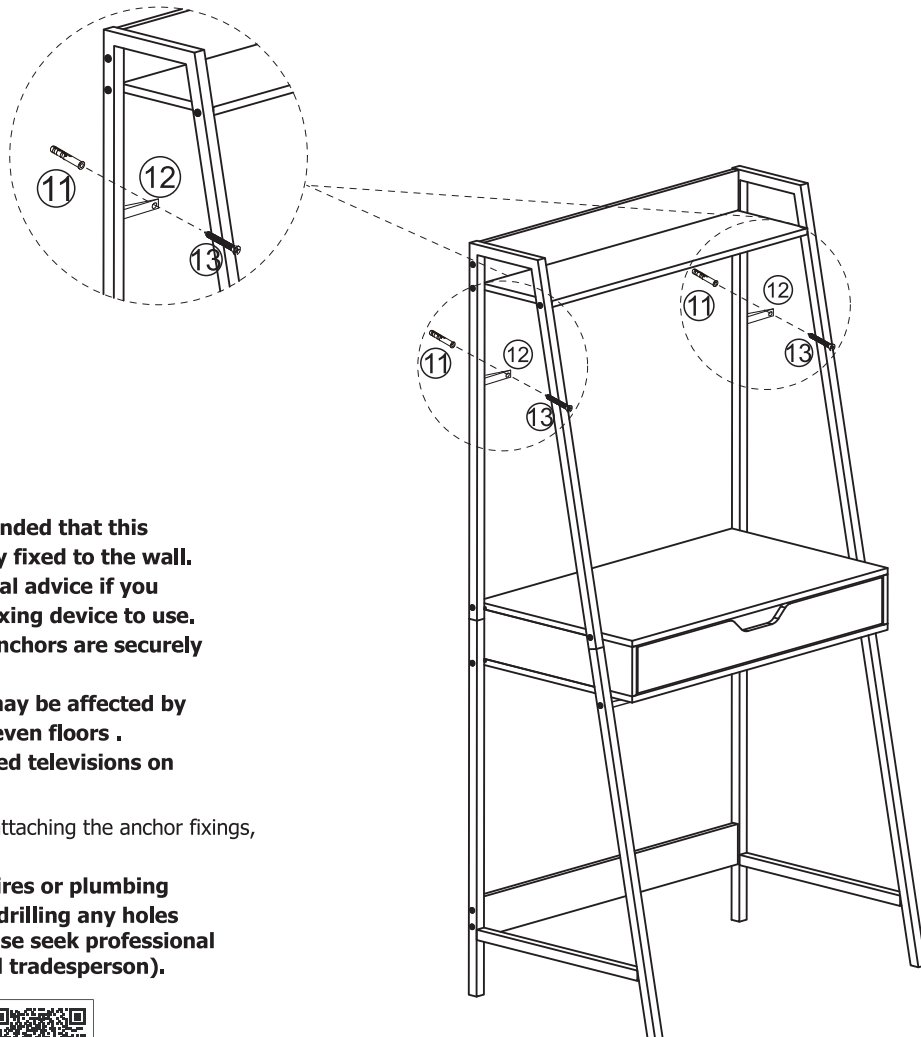
Step: 11



Step: 12



Step: 13



TOPPLING FURNITURE WARNING:

- **It is strongly recommended that this product is permanently fixed to the wall.**
- **Please seek professional advice if you are in doubt of what fixing device to use.**
- **Regularly check that anchors are securely maintained.**
- **Stability of tall items may be affected by thick pile carpet or uneven floors .**
- **Do not place unanchored televisions on furniture .**

CAUTION: for your safety when attaching the anchor fixings, please note the following:

- **Check any electrical wires or plumbing inside the wall before drilling any holes (if you are unsure please seek professional advice from a qualified tradesperson).**



WARNING: PLEASE SECURE YOUR FURNITURE WITH THE SUPPLIED WALL FIXING. SCAN THE CODE FOR MORE INFORMATION.

