

Assembly Instructions

43229017 OWEN WARDROBE 5 TIER ADJUSTABLE SHELVES

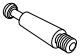


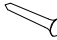
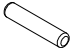







WARNING: DO NOT STAND, SIT OR LEAN ON THIS UNIT. DO NOT USE THIS UNIT AS A STEP LADDER OR AS A CHOPPING SURFACE. KEEP AWAY FROM CHILDREN AND BABIES. ADULT ASSEMBLY REQUIRED. USE ONLY ON A FLAT SURFACE. ADULT ASSEMBLY REQUIRED. DO NOT USE THIS UNIT UNLESS ALL BOLTS AND SCREWS ARE FIRMLY SECURED.

CARE INSTRUCTIONS: TO BE ASSEMBLED ON A CLEAN, DRY AND SMOOTH SURFACE. WIPE CLEAN WITH A SOFT DAMP CLOTH. NEVER USE SCOURERS, ABRASIVES OR CHEMICAL SOLVENTS. CHECK AND TIGHTEN ALL PARTS REGULARLY. KEEP AWAY FROM MOISTURE AND DIRECT SUNLIGHT. STORE IN A DRY PLACE. FOR INDOOR AND DOMESTIC USE ONLY.

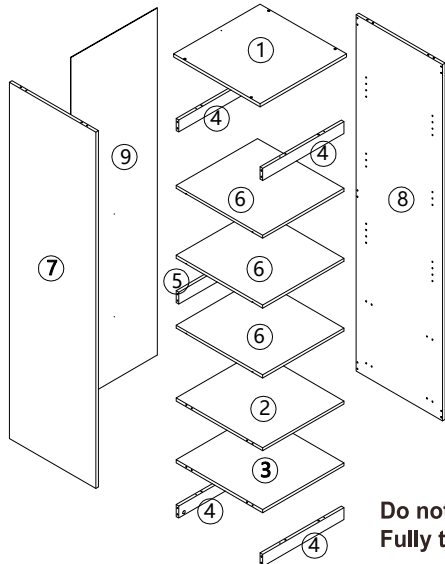
MAXIMUM SAFE LOAD: 5KGS FOR EACH SHELF.

①

Hardware List

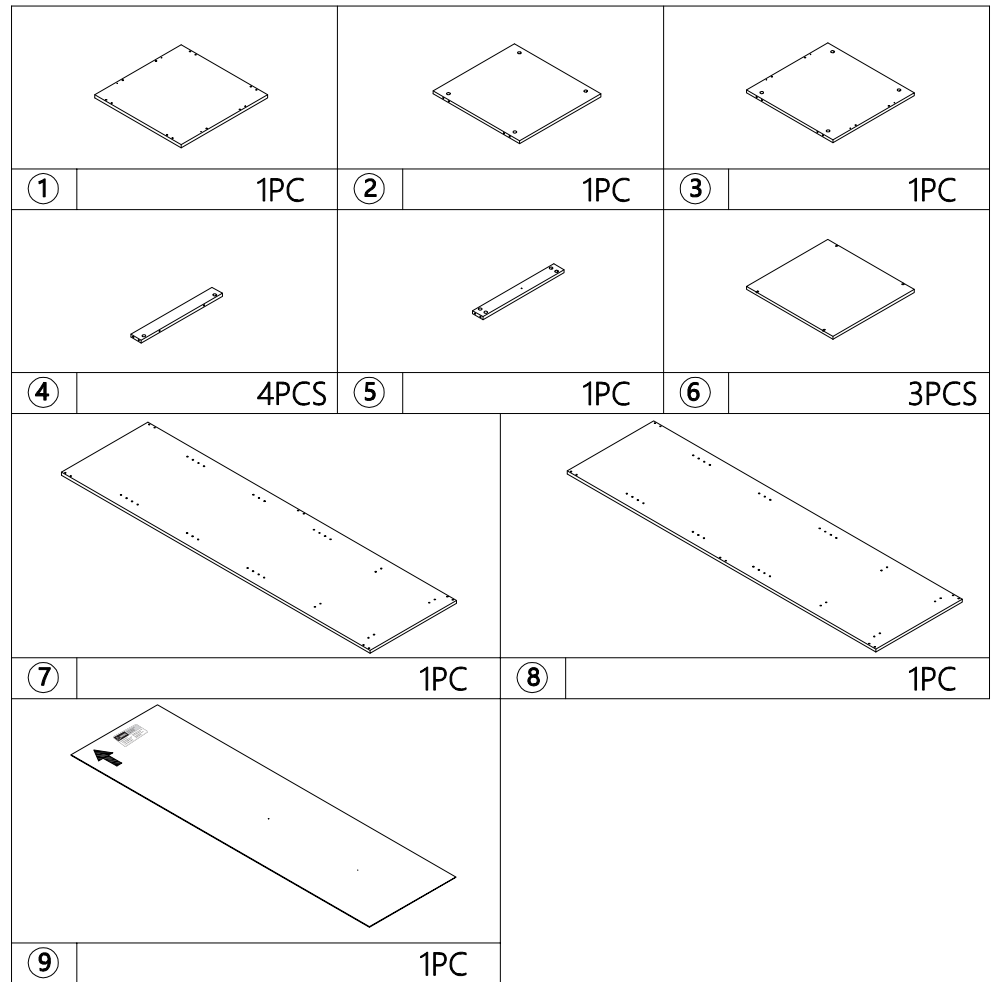
	A	M6x35mm	20pcs		G		1pc
	B	Ø15x9.5mm	20pcs		H	M2x16mm	24pcs
	C	Ø6x30mm	28pcs		I	M4x12mm	2pcs
	D	M6x50mm	4pcs		J	M4x12mm	1pc
	E	M5x60mm	8pcs		K	M4x35mm	1pc
	F		12pcs		L	M4x14mm	4pcs

②



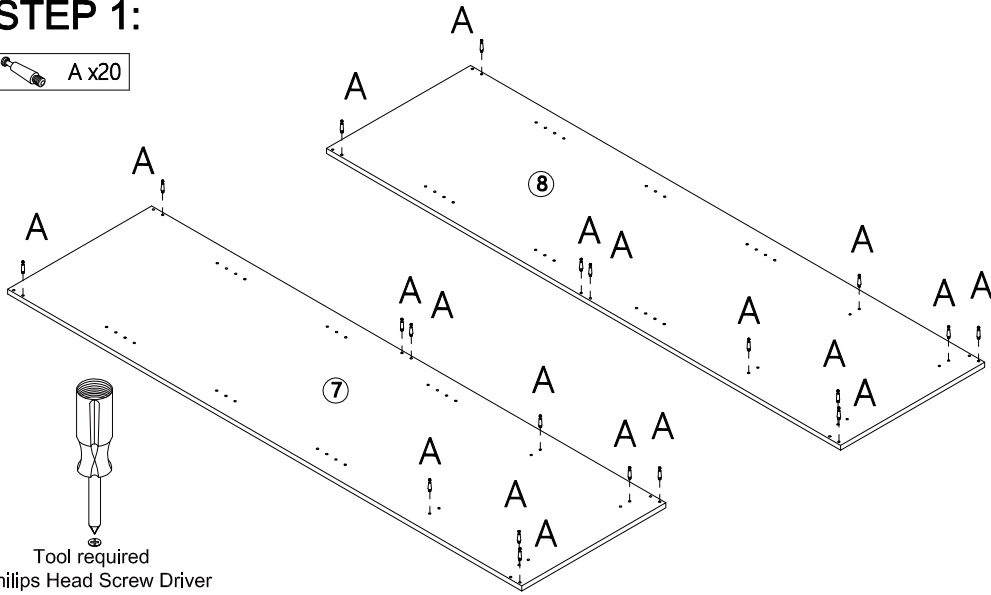
Do not tighten the screws fully during assembly.
Fully tighten screws after the final assembly steps

③



STEP 1:

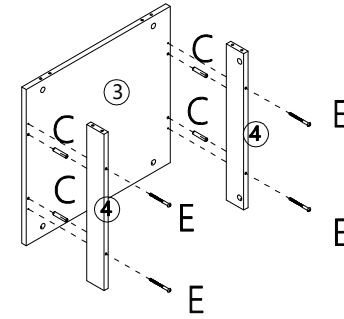
A x20



Tool required
Philips Head Screw Driver
(Not Provided)

STEP 2:

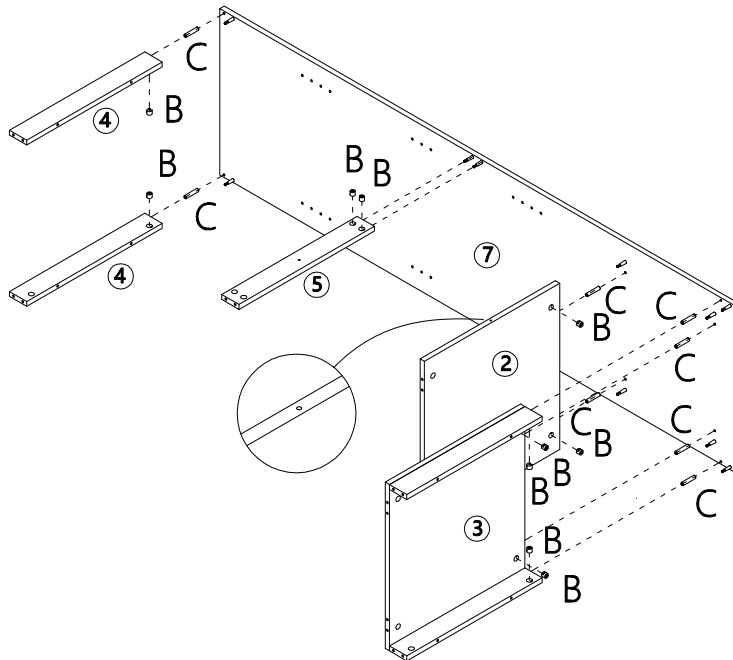
C x4
E x4



Tool required
Philips Head Screw Driver
(Not Provided)

STEP 3:

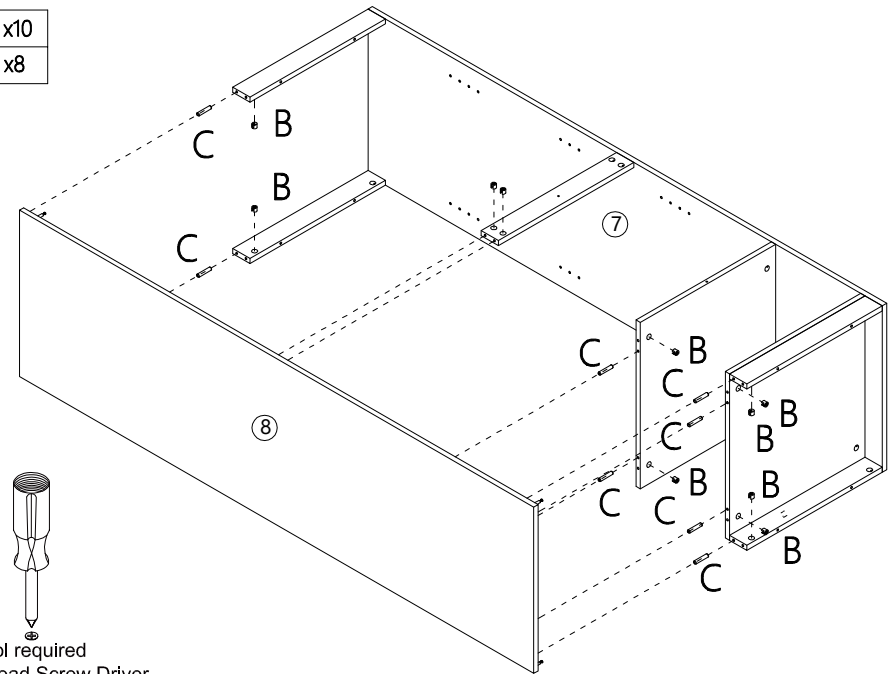
B x10
C x8



Tool required
Philips Head Screw Driver
(Not Provided)

STEP 4:

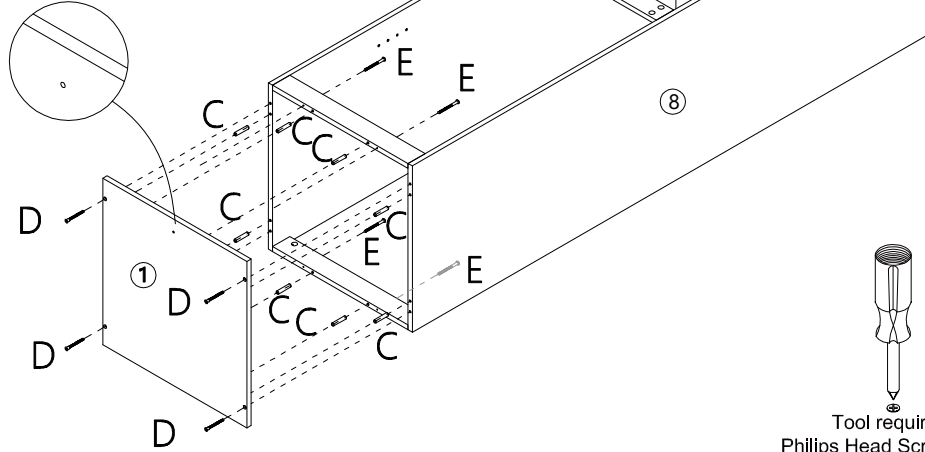
B x10
C x8



Tool required
Philips Head Screw Driver
(Not Provided)

STEP 5:

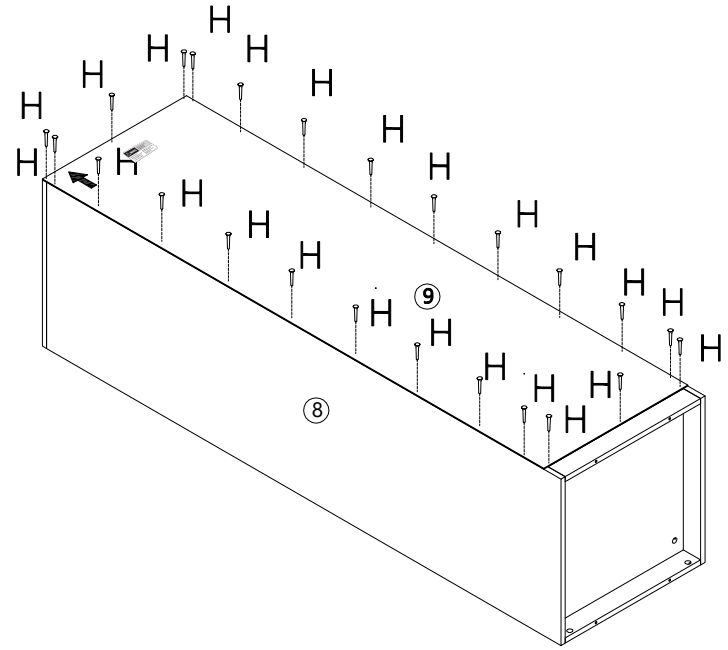
- C x8
- D x4
- E x4



Tool required
Phillips Head Screw Driver
(Not Provided)

STEP 6:

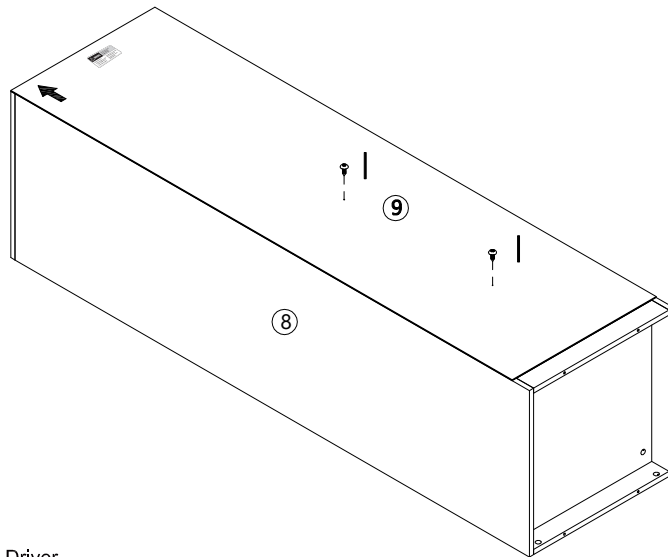
- H x24



Tool required
(Not Provided)

STEP 7:

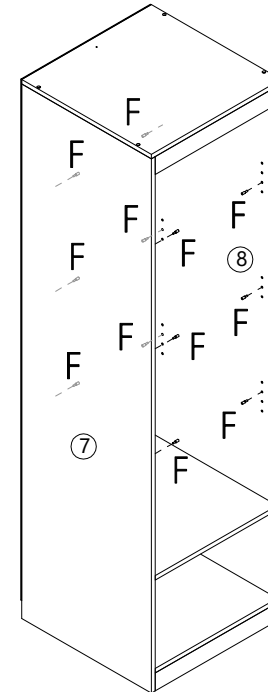
- I x2




Tool required
Phillips Head Screw Driver
(Not Provided)

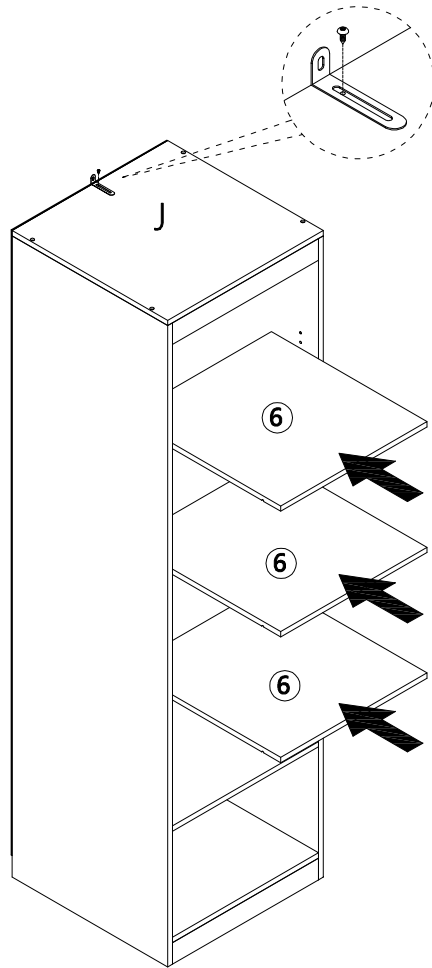
STEP 8:


- F x12



STEP 9:

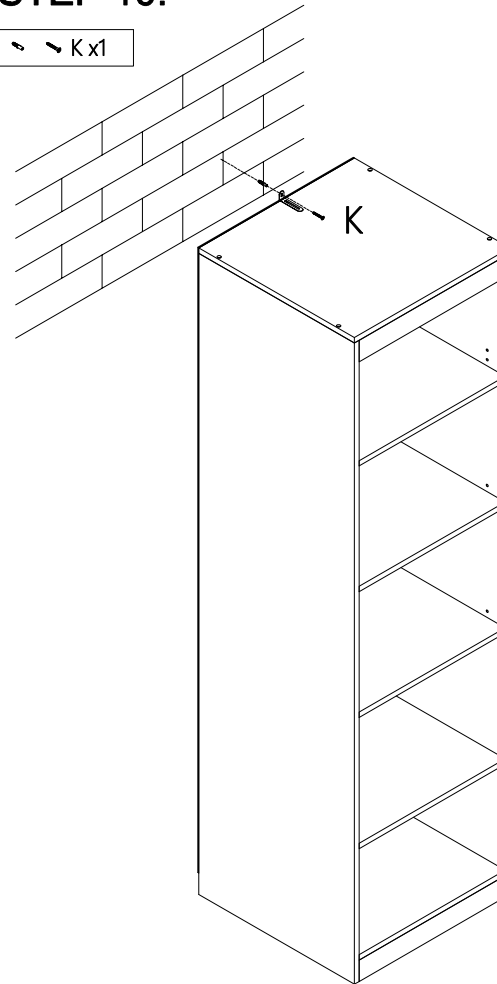
 J x1





Tool required
Philips Head Screw Driver
(Not Provided)

STEP 10:

 K x1




Tool required
Philips Head Screw Driver
(Not Provided)

User instructions should include the wording:

- It is strongly recommended that this product is permanently fixed to the wall.
- Please seek professional advice if you are in doubt of what fixing device to use.
- Regularly check that anchors are securely maintained.
- Stability of tall items may be affected by thick pile carpet or uneven floors .
- Do not place unanchored televisions on furniture .

CAUTION: for your safety when attaching the anchor fixings, please note the following:

- Check any electrical wires or plumbing inside the wall before drilling any holes (if you are unsure please seek professional advice from a qualified tradesperson).

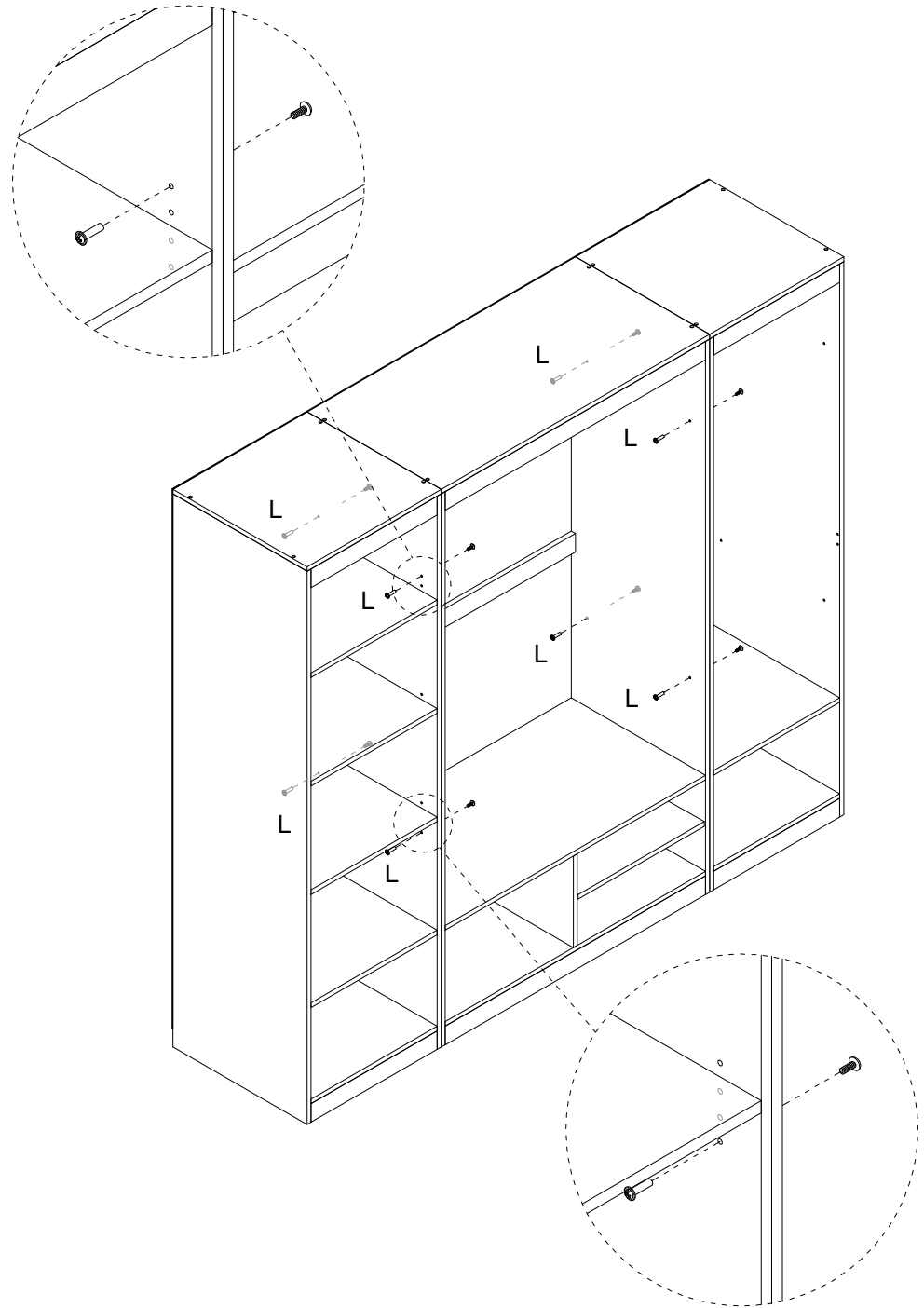


WARNING: PLEASE SECURE YOUR FURNITURE WITH THE SUPPLIED WALL FIXING. SCAN THE CODE FOR MORE INFORMATION.



  L X 4

If you want to connect wardrobes 43229079 & 43229062 & 43229017 together, you can use a 5mm drill bit to drill through the hole and then use the screw "L" to connect the wardrobes together



Tool required
(Not Provided)