

Assembly Instructions



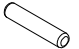



43229093 OWEN 3 DRAWER CHEST



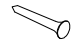

WARNING: DO NOT STAND, SIT OR LEAN ON THIS UNIT. DO NOT USE THIS UNIT AS A STEP LADDER OR AS A CHOPPING SURFACE. KEEP AWAY FROM CHILDREN AND BABIES. ADULT ASSEMBLY REQUIRED. USE ONLY ON A FLAT SURFACE. ADULT ASSEMBLY REQUIRED. LOAD THE DRAWER EVENLY TO PREVENT IT FROM TIPPING OVER. DO NOT USE THIS UNIT UNLESS ALL BOLTS AND SCREWS ARE FIRMLY SECURED.

CARE INSTRUCTIONS: TO BE ASSEMBLED ON A CLEAN, DRY AND SMOOTH SURFACE. WIPE CLEAN WITH A SOFT DAMP CLOTH. NEVER USE SCOURERS, ABRASIVES OR CHEMICAL SOLVENTS. CHECK AND TIGHTEN ALL PARTS REGULARLY. KEEP AWAY FROM MOISTURE AND DIRECT SUNLIGHT. STORE IN A DRY PLACE. FOR INDOOR AND DOMESTIC USE ONLY.

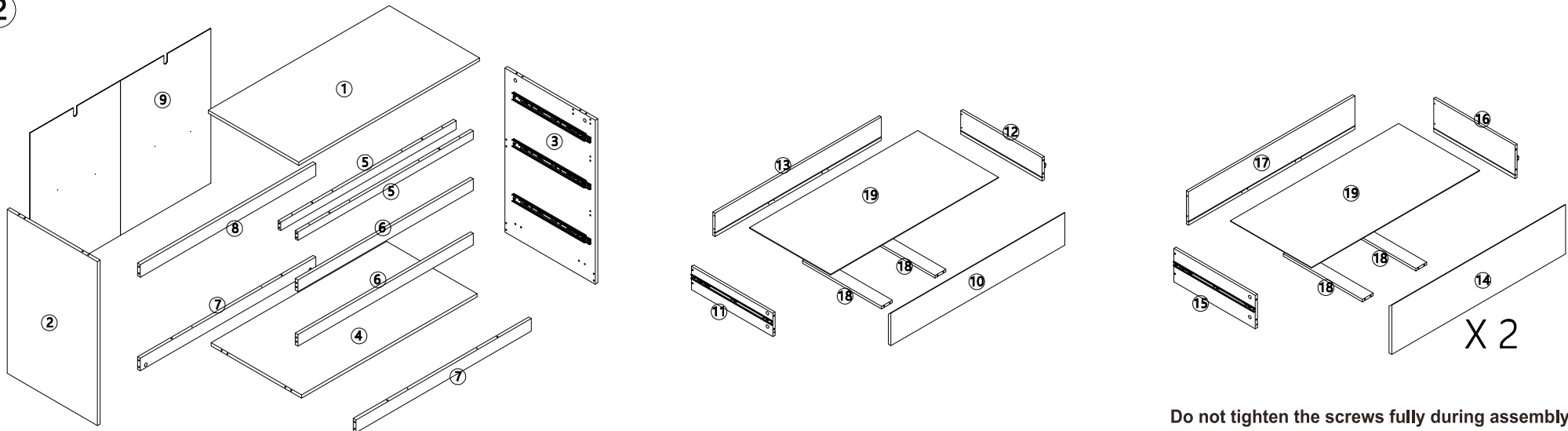
MAXIMUM SAFE LOAD: 10KGS FOR TOP PANEL, 7.5KGS FOR EACH DRAWER.

1 Hardware List

	A	M6x35mm	42pcs
	B	Ø15x9.5mm	42pcs
	C	Ø6x30mm	34pcs
	D	M4x35mm	24pcs
	E	M4x55mm	4pcs
	F	M4x45mm	8pcs

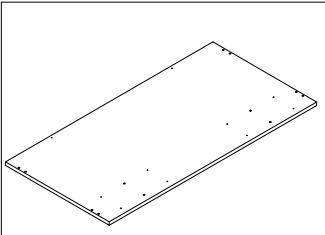
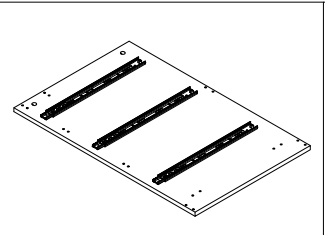
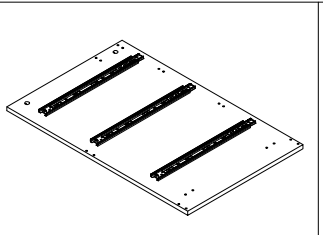
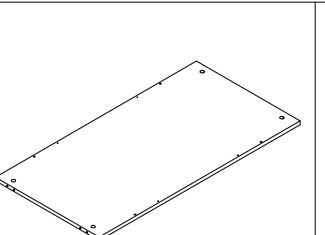
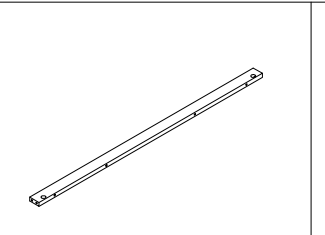
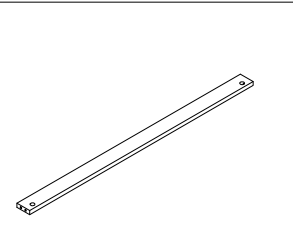
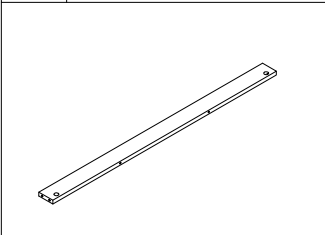
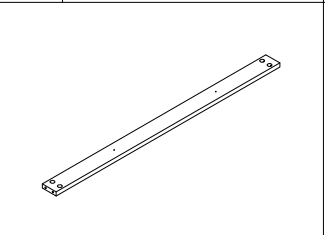
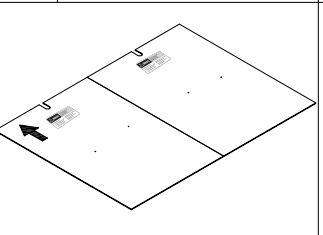
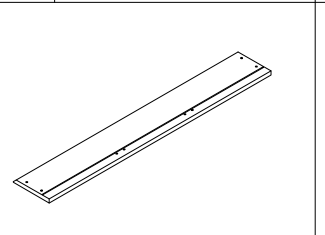
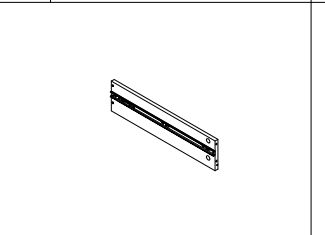
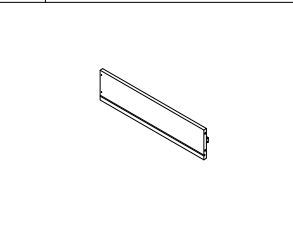
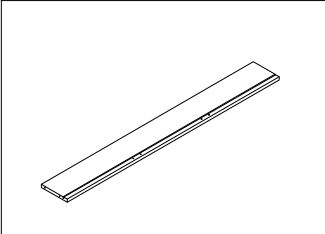
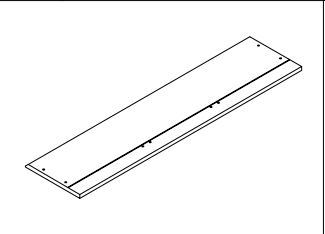
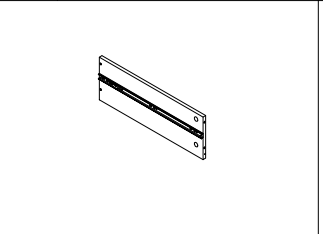
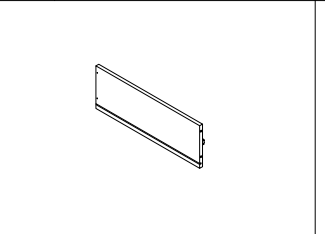
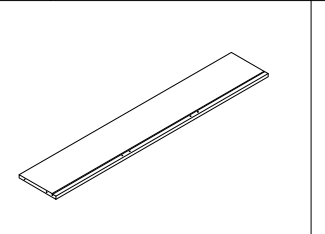
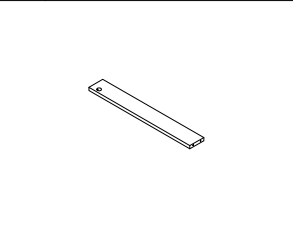
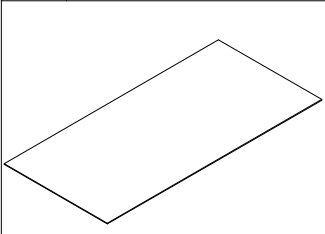
	G	M4x12mm	2pcs
	H	M4x35mm	2pcs
	I	M2x16mm	20pcs
	J		4pcs

2



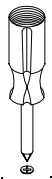
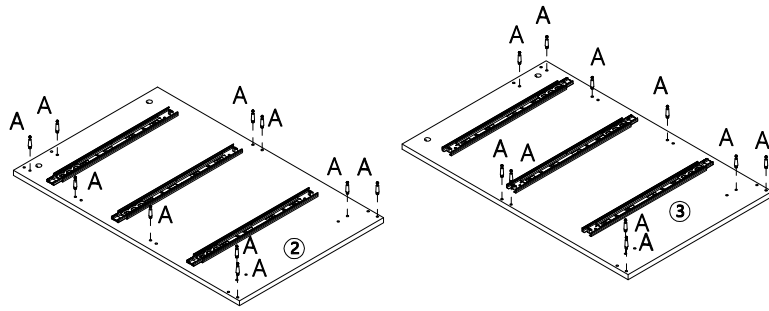
Do not tighten the screws fully during assembly.
Fully tighten screws after the final assembly steps

3

					
① 1PC	② 1PC	③ 1PC	④ 1PC	⑤ 2PCS	⑥ 2PCS
					
⑦ 2PCS	⑧ 1PC	⑨ 1PC	⑩ 1PC	⑪ 1PC	⑫ 1PC
					
⑬ 1PC	⑭ 2PCS	⑮ 2PCS	⑯ 2PCS	⑰ 2PCS	⑱ 6PCS
					
⑲ 3PCS					

STEP 1:

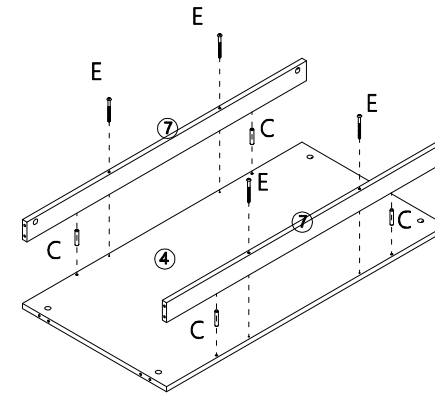
- A x20
- G x2



Tool required
Philips Head Screw Driver
(Not Provided)

STEP 2:

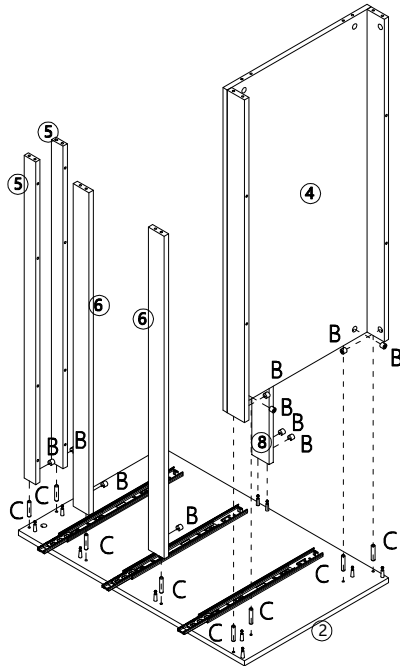
- C x4
- E x4



Tool required
Philips Head Screw Driver
(Not Provided)

STEP 3:

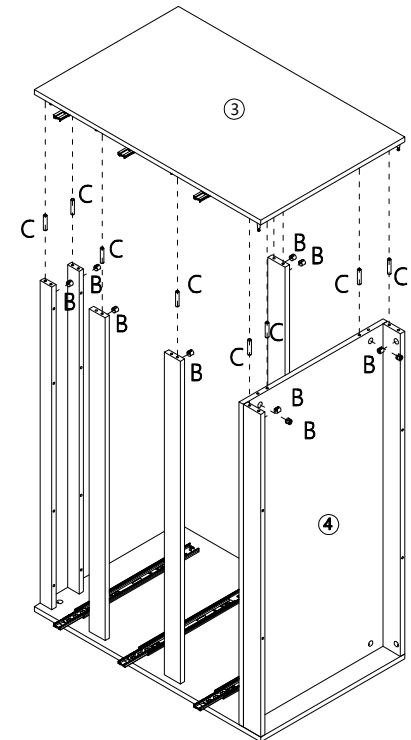
- B x10
- C x8



Tool required
Philips Head Screw Driver
(Not Provided)



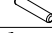

STEP 4:

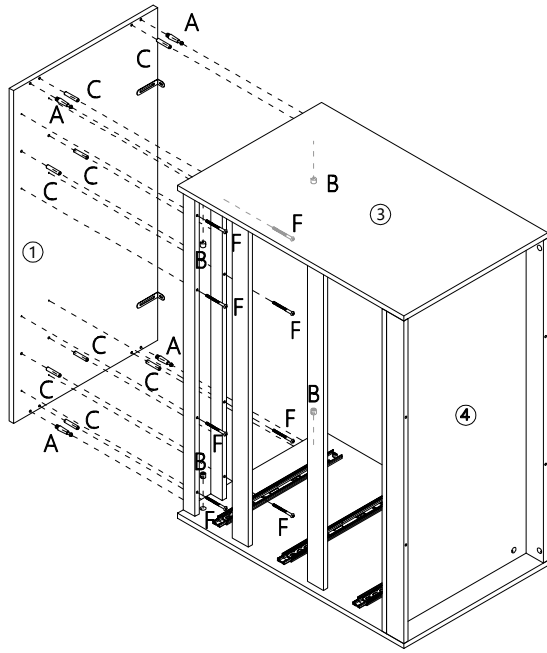
- B x10
- C x8




Tool required
Philips Head Screw Driver
(Not Provided)


STEP 5:

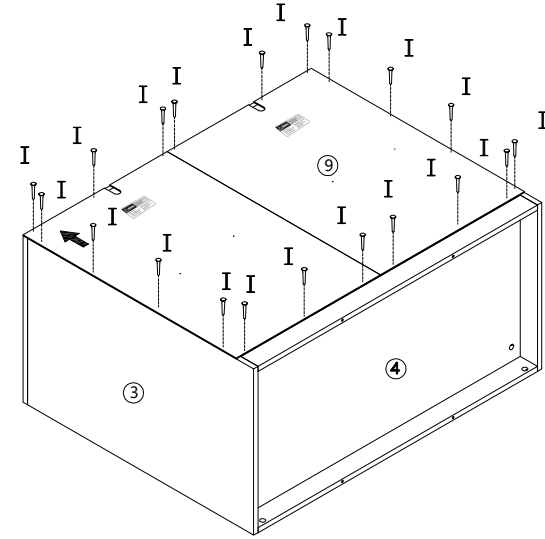
-  A x4
-  B x4
-  C x8
-  F x8

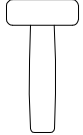



 Tool required
 Phillips Head Screw Driver
 (Not Provided)

STEP 6:

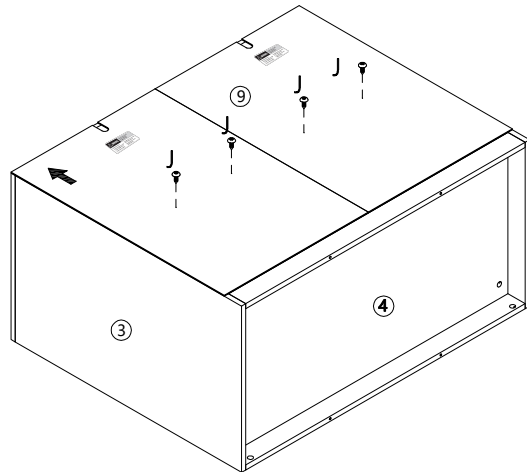
-  I x20

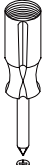



 Tool required
 (Not Provided)

STEP 7:

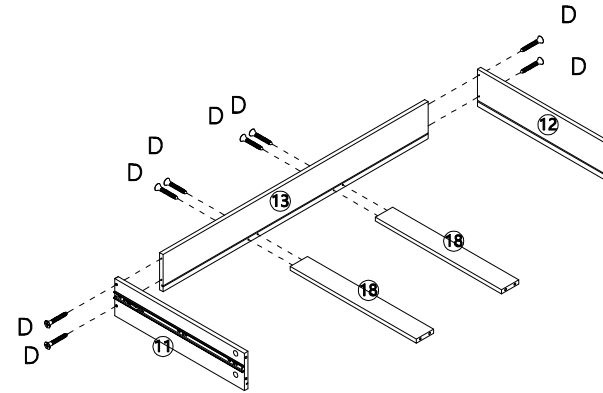
-  J x4

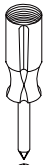



 Tool required
 Phillips Head Screw Driver
 (Not Provided)

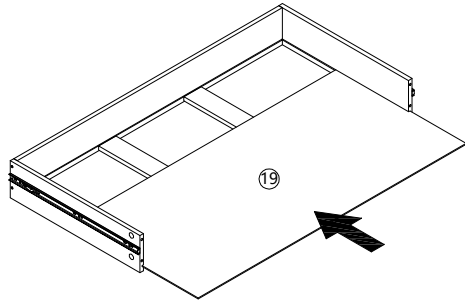
STEP 8:

-  D x8






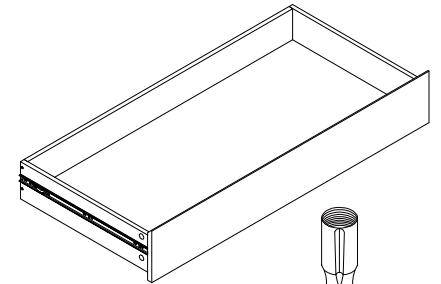
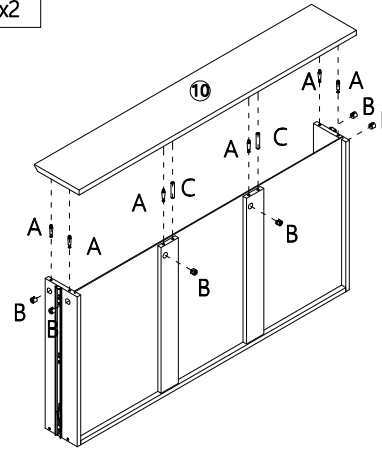

 Tool required
 Phillips Head Screw Driver
 (Not Provided)


STEP 9:



STEP 10:

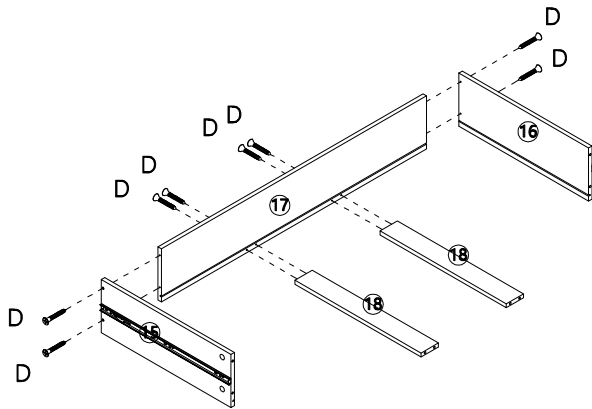
-  A x6
-  B x6
-  C x2

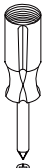



Tool required
Phillips Head Screw Driver
(Not Provided)

STEP 11:

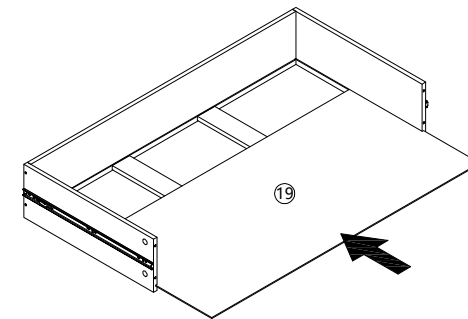
-  D x16




Tool required
Phillips Head Screw Driver
(Not Provided)




X 2

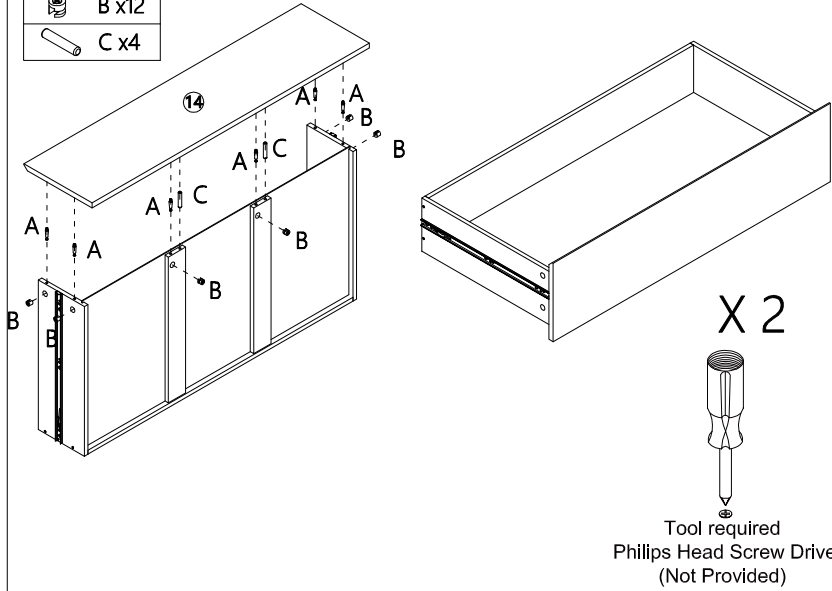
STEP 12:



X 2

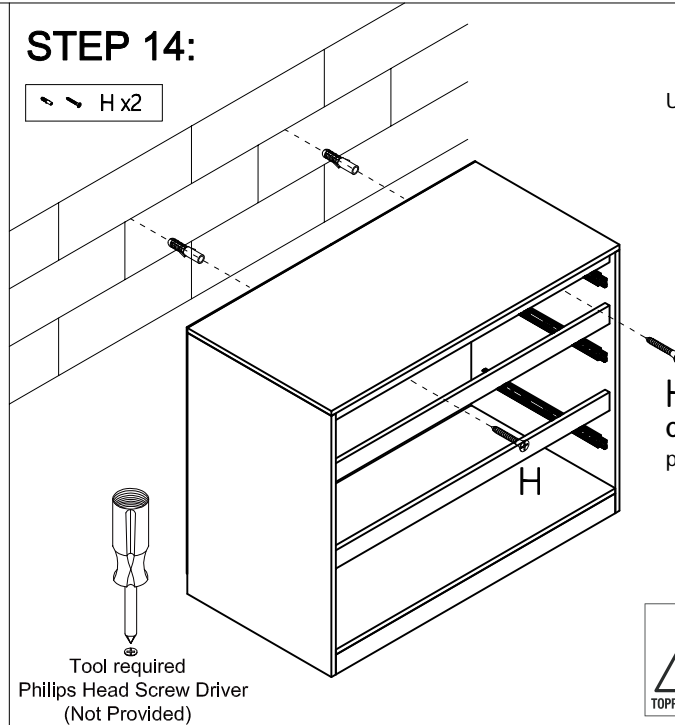
STEP 13:

-  A x12
-  B x12
-  C x4



STEP 14:

-  H x2



- User instructions should include the wording:
- It is strongly recommended that this product is permanently fixed to the wall.
 - Please seek professional advice if you are in doubt of what fixing device to use.
 - Regularly check that anchors are securely maintained.
 - Stability of tall items may be affected by thick pile carpet or uneven floors .
 - Do not place unanchored televisions on furniture .
- CAUTION:** for your safety when attaching the anchor fixings, please note the following:
- Check any electrical wires or plumbing inside the wall before drilling any holes (if you are unsure please seek professional advice from a qualified tradesperson).



WARNING: PLEASE SECURE YOUR FURNITURE WITH THE SUPPLIED WALL FIXING. SCAN THE CODE FOR MORE INFORMATION.



STEP 15:

