










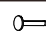






Assembly Instructions

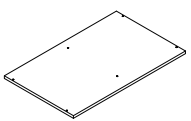
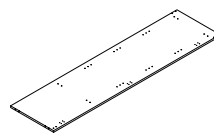
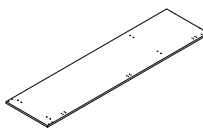
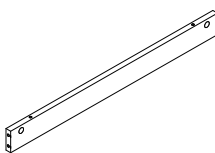
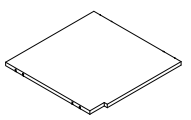
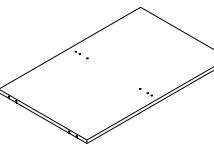
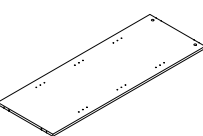
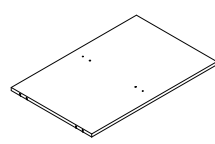
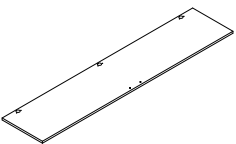
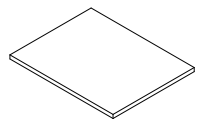
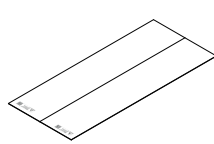
43229116 MULTI PURPOSE CUPBOARD 2 DOOR BROOM STORAGE WITH ADJUSTABLE SHELVES

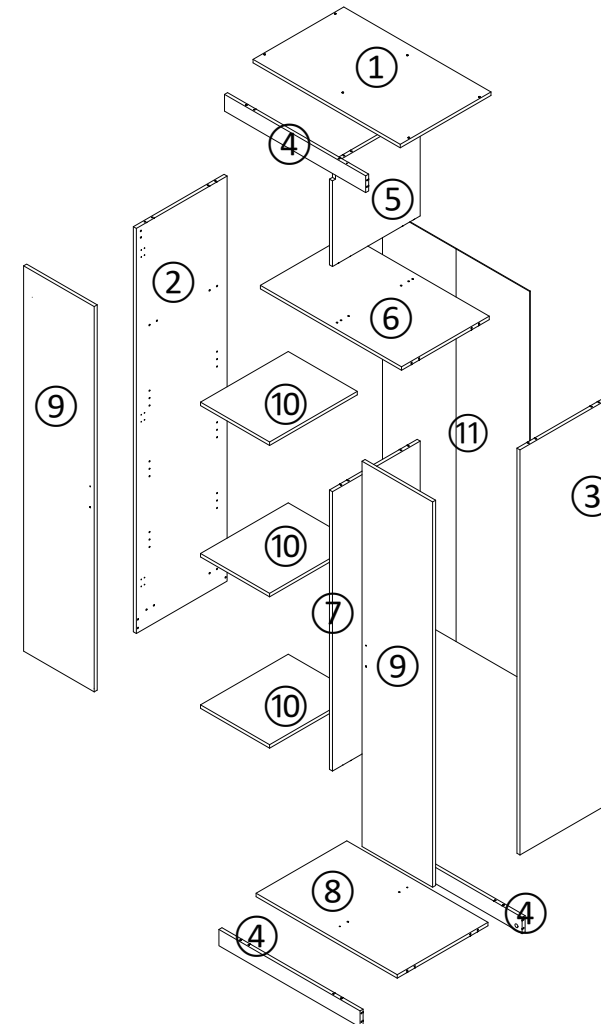
CARE INSTRUCTIONS TO BE ASSEMBLED ON A CLEAN, DRY AND SMOOTH SURFACE. WIPE CLEAN WITH A SOFT DAMP CLOTH. NEVER USE SCOURERS, ABRASIVES OR CHEMICAL SOLVENTS. CHECK AND TIGHTEN ALL PARTS REGULARLY. KEEP AWAY FROM MOISTURE AND DIRECT SUNLIGHT. STORE IN A DRY PLACE. FOR INDOOR USE ONLY.

WARNING! DO NOT STAND, SIT OR LEAN ON THIS UNIT. DO NOT USE THIS UNIT AS A STEP LADDER OR AS A CHOPPING SURFACE. ENSURE THIS UNIT IS USED ONLY ON A FLAT SURFACE. DO NOT USE THIS UNIT UNLESS ALL BOLTS AND SCREWS ARE FIRMLY SECURED. UNANCHORED FURNITURE CAN TIP OVER. THIS FURNITURE SHALL BE ANCHORED TO THE WALL WITH THE ENCLOSED SAFETY FITTING TO PREVENT IT FROM TIPPING OVER.

MAXIMUM SAFE LOAD: 5KGS FOR SHELF.

	a	M6x35	16pcs		g		2pcs
	b	M15x10	16pcs		h		6pcs
	c	M3.5x12	36pcs		j		2pcs
	d	M8x30	28pcs		k		2pcs
	e	M4x50	10pcs		m		28pcs
	f	M4x55	6pcs		n	M8x40	2pcs
	i		12pcs		p		1pc
	q		4pcs		l	M4x25	4pcs

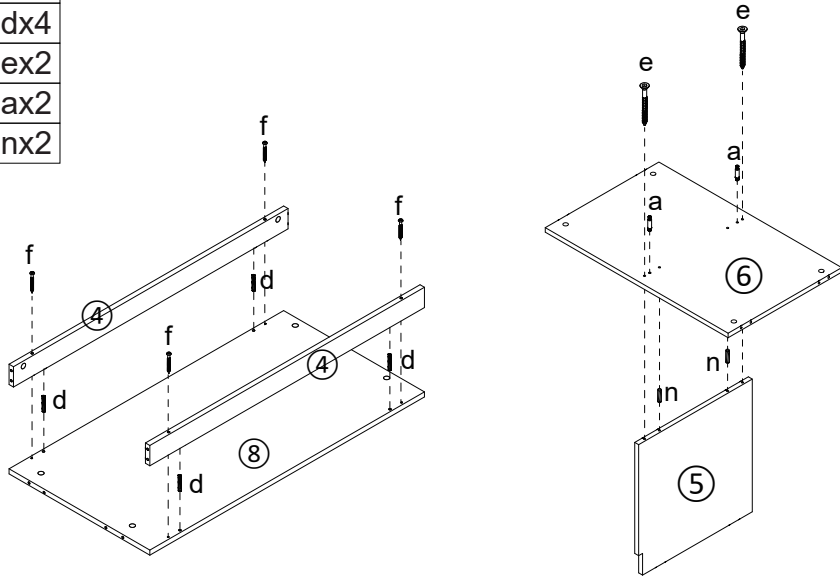
			
① 1pc	② 1pc	③ 1pc	④ 3pcs
			
⑤ 1pc	⑥ 1pc	⑦ 1pc	⑧ 1pc
			
⑨ 2pcs	⑩ 3pcs	⑪ 1pc	



Do not tighten the screws
Fully tighten screws after the final assembly steps

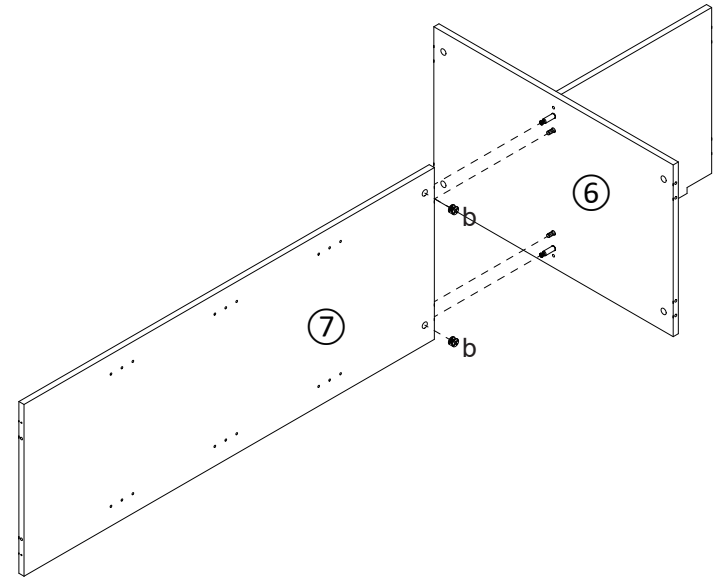
STEP 1

- fx4
- dx4
- ex2
- ax2
- nx2



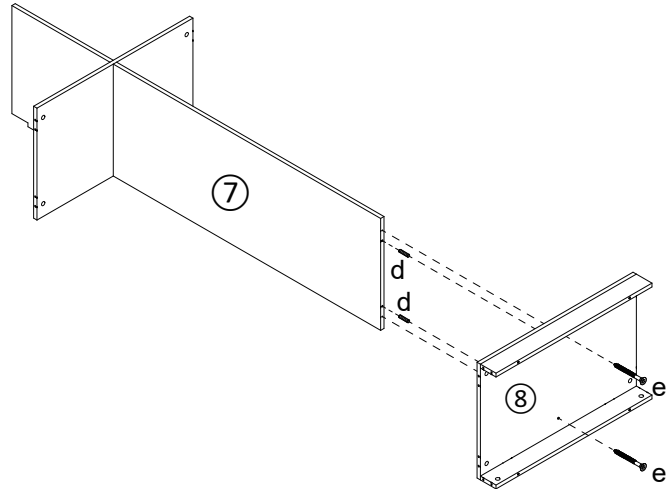
STEP 2

- bx2



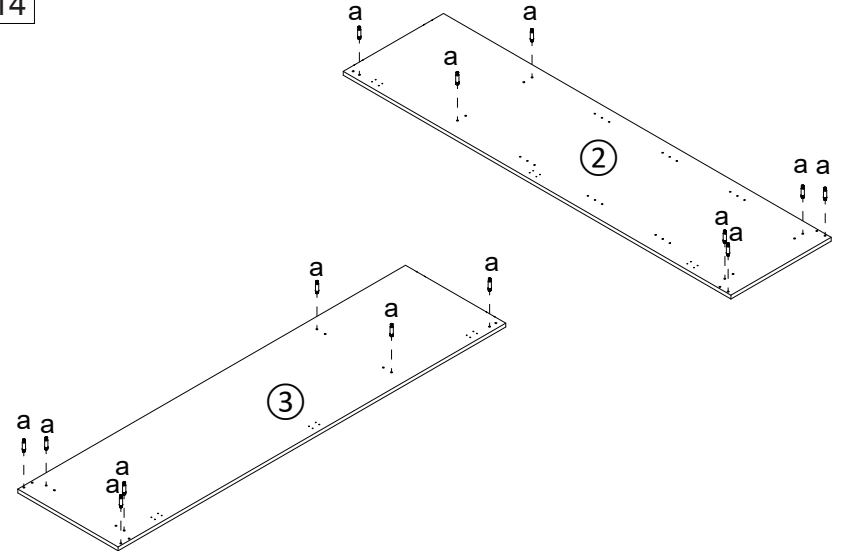
STEP 3

- dx2
- ex2



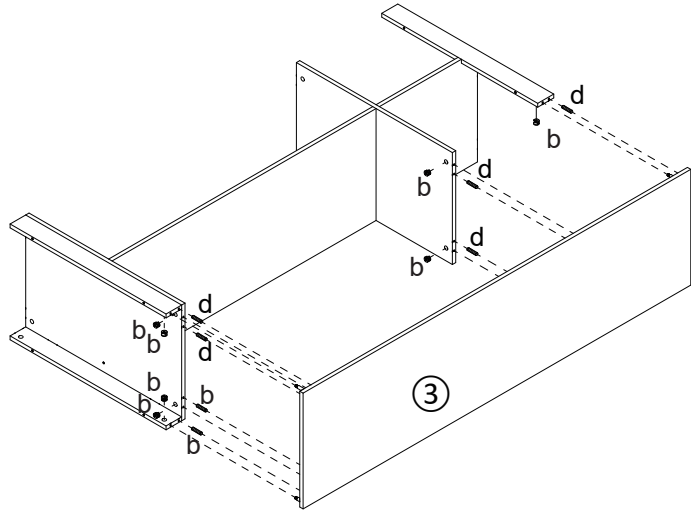
STEP 4

- ax14



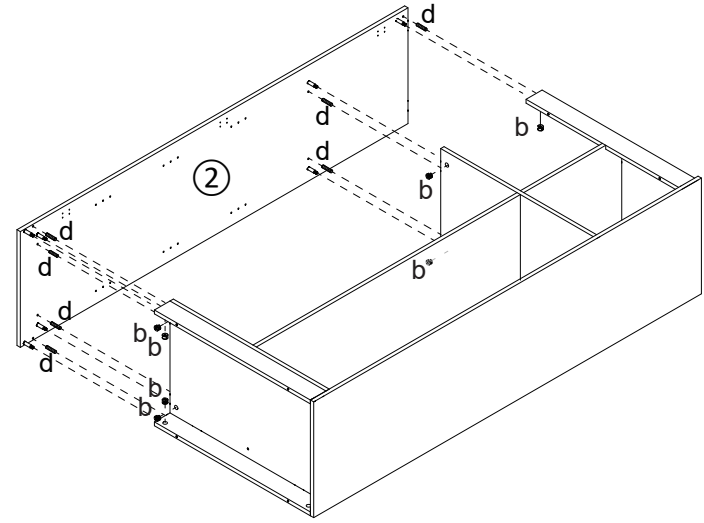
STEP 5

- dx7
- bx7



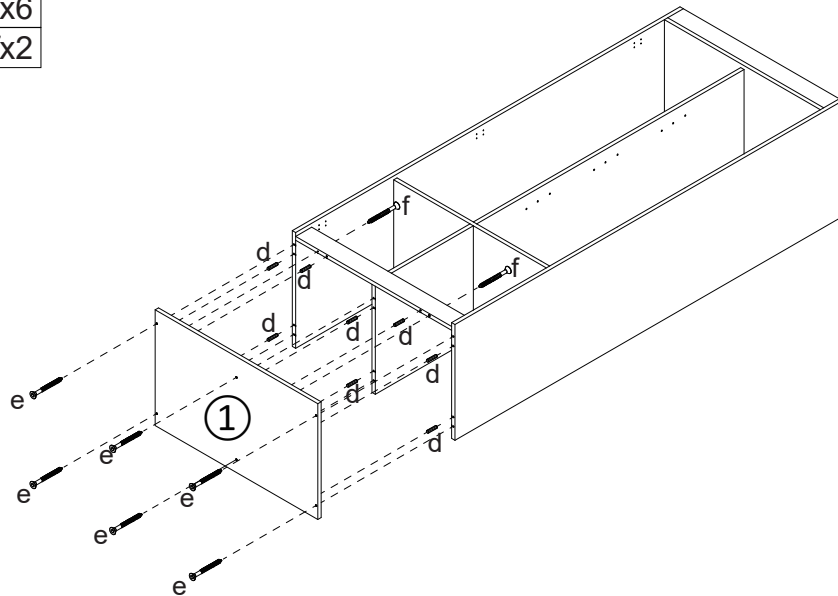
STEP 6

- dx7
- bx7



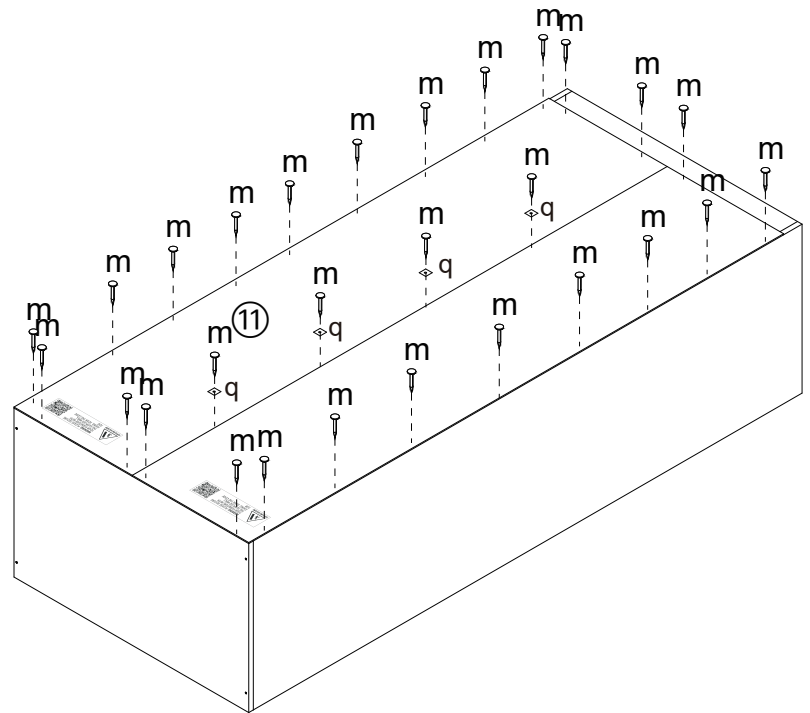
STEP 7

- dx8
- ex6
- fx2

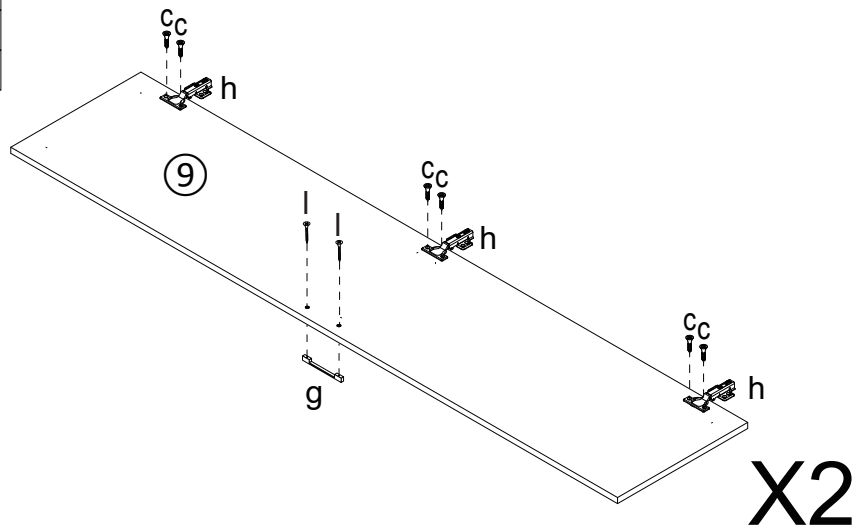
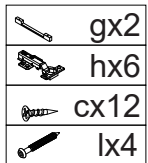


STEP 8

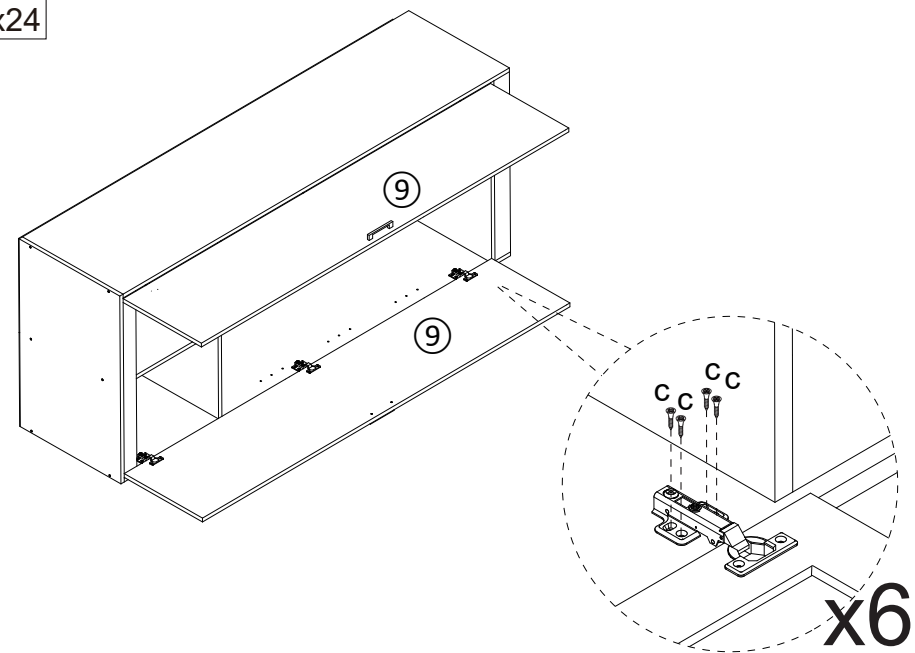
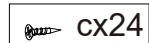
- qx4
- mx28



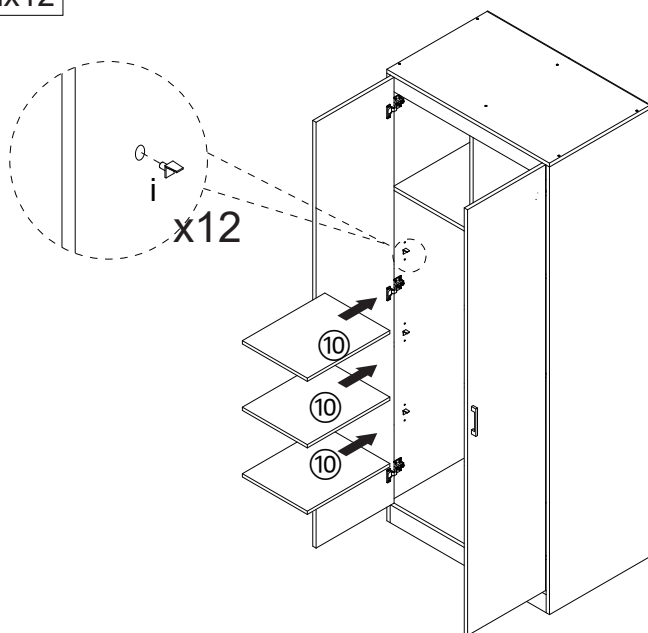
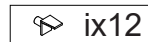
STEP 9



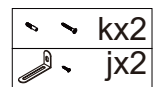
STEP 10



STEP 11



STEP 12

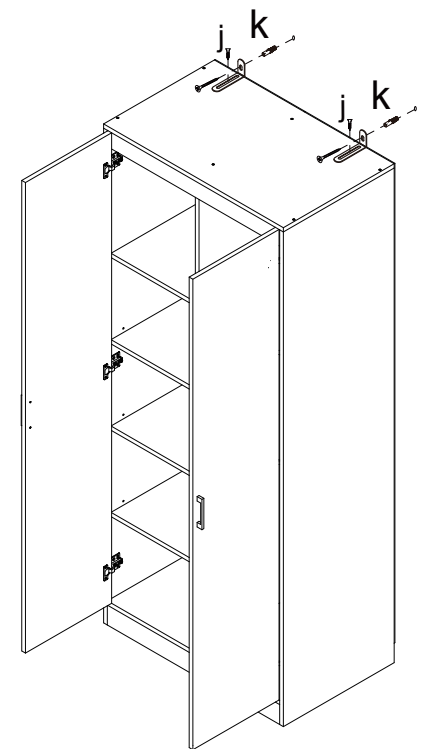


User instructions should include the wording:

- It is strongly recommended that this product is permanently fixed to the wall.
- Please seek professional advice if you are in doubt of what fixing device to use.
- Regularly check that anchors are securely maintained.
- Stability of tall items may be affected by thick pile carpet or uneven floors .
- Do not place unanchored televisions on furniture .

CAUTION: for your safety when attaching the anchor fixings, please note the following:

- Check any electrical wires or plumbing inside the wall before drilling any holes (if you are unsure please seek professional advice from a qualified tradesperson).



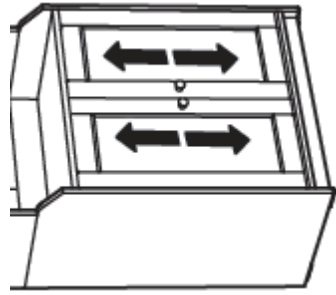
WARNING: PLEASE SECURE YOUR FURNITURE WITH THE SUPPLIED WALL FIXING. SCAN THE CODE FOR MORE INFORMATION.



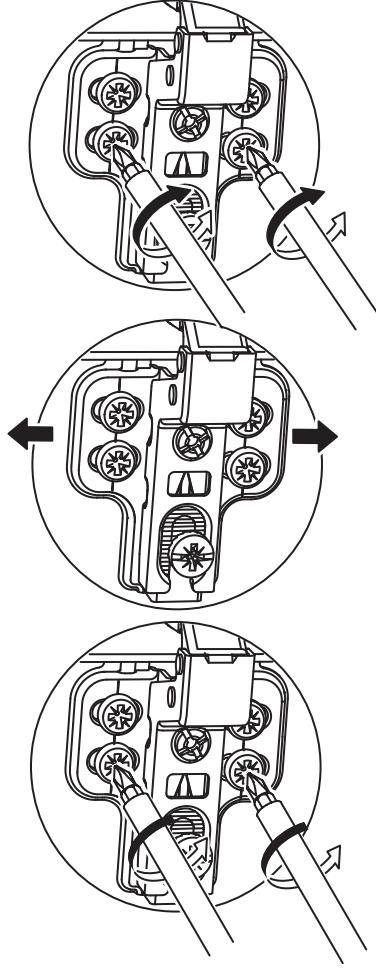
Hinger Adjustment Tips

Noted: The door might be scraping, bumping, misaligned when first assembly.

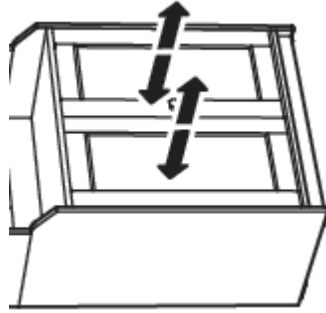
Please follow the below tips:



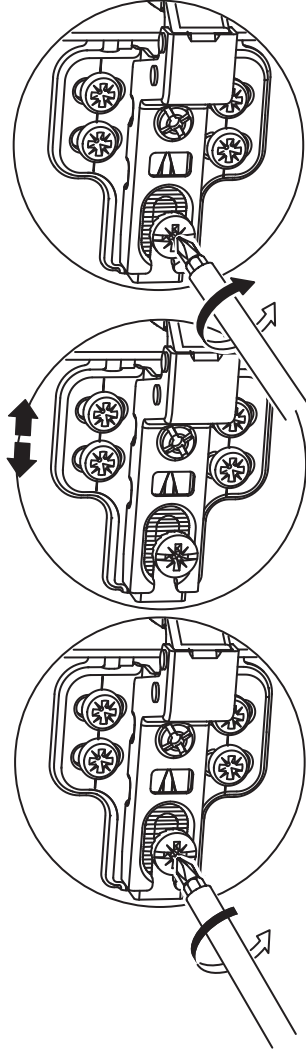
Adjust the door up and down



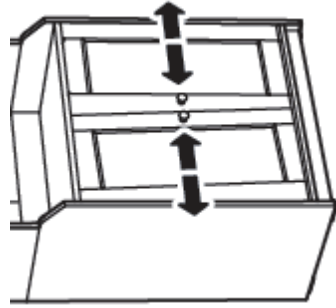
1. Loosen the two mounting screws on both hinges, but only slightly. ...
2. Gently close the cabinet door.
3. With the door still closed, adjust the cabinet door to the desired height.
4. Open the cabinet door again, being careful not to jostle the door out of position.
5. Retighten the screws by hand.



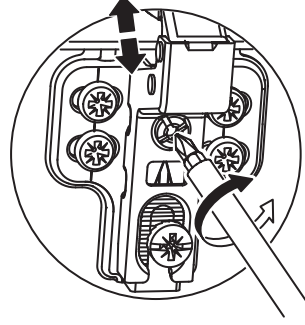
Move the door in and out



If the door doesn't meet the box at the top, adjust the top hinge toward the cabinet and/or adjust the bottom hinge away from the cabinet. If the door is gapped at the bottom, do the reverse.



Move the door right or left



You can adjust one or both hinges on each door, depending on how much correction it needs. If the door seems to be tilting down to the right, turn the side-to-side screw on the top hinge so the hinge pulls closer to the side of the cabinet box, moving the top of the door to the left.