

# Assembly Instructions

## 43229369 WHITE BAMBOO GARMENT RACK

### CARE INSTRUCTIONS:






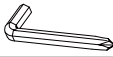

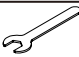






WIPE CLEAN WITH A SOFT DAMP CLOTH. DO NOT USE ABRASIVE MATERIAL AND SOLVENTS. KEEP AWAY FROM WATER AND DIRECT SUNLIGHT. CHECK AND TIGHTEN ALL PARTS REGULARLY. FOR INDOOR USE ONLY.

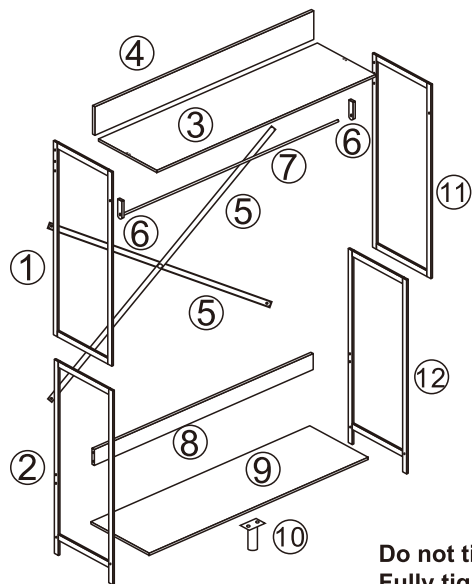
### WARNING:

DO NOT STAND ON THE UNIT. USE ONLY ON A FLAT SURFACE. DO NOT USE UNTIL ALL SCREWS, BOLTS AND KNOBS ARE FIRMLY SECURED. THIS PRODUCT CONTAINS SMALL PARTS AND SHARP POINTS, KEEP AWAY FROM CHILDREN AND BABIES. ADULT ASSEMBLY REQUIRED. FAILURE TO FOLLOW THESE WARNINGS COULD RESULT IN SERIOUS INJURY.

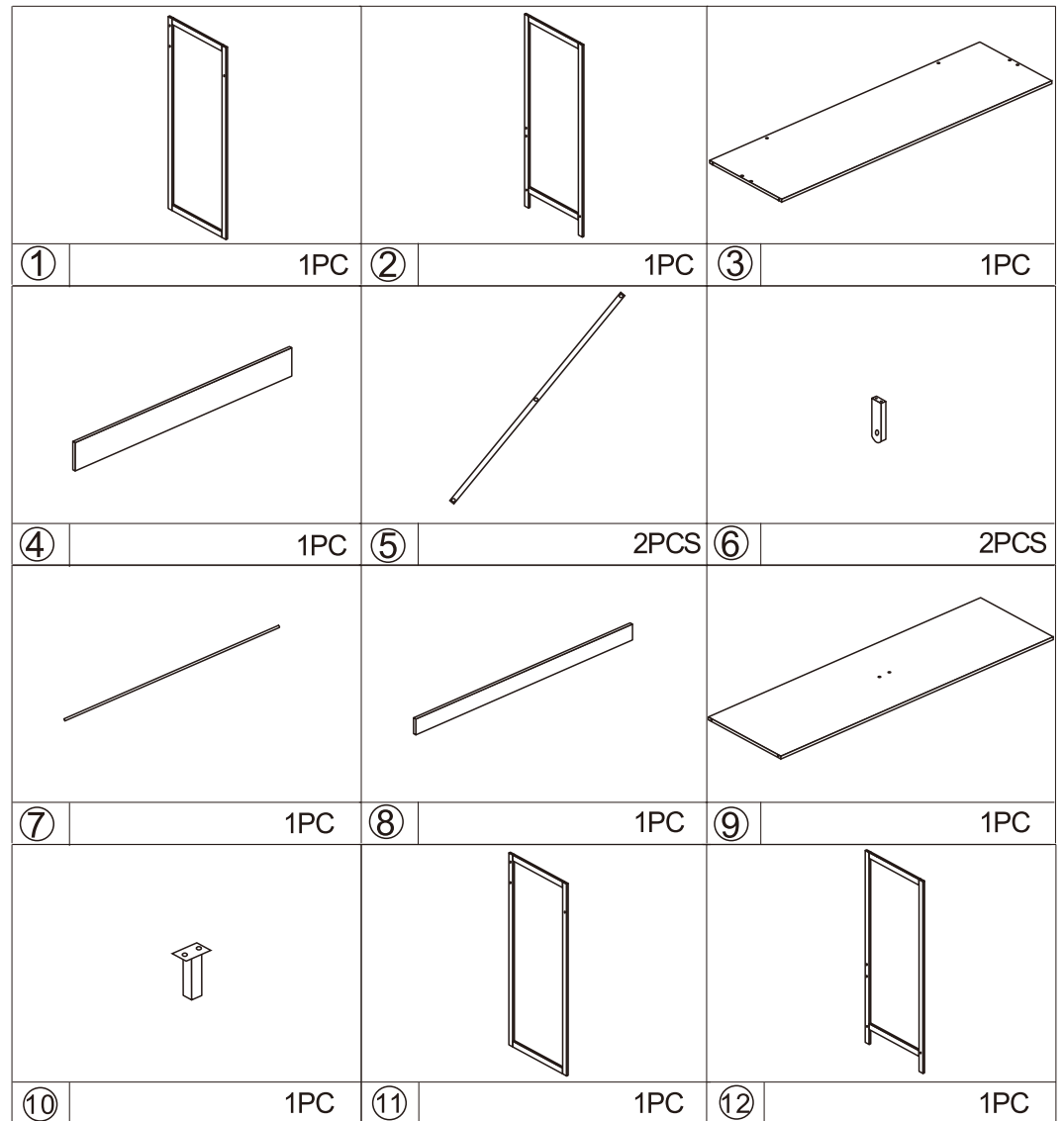
**MAXIMUM SAFE LOAD: 10KG FOR CLOTHES RAIL, 5KG FOR SHELF.**

### Hardware list

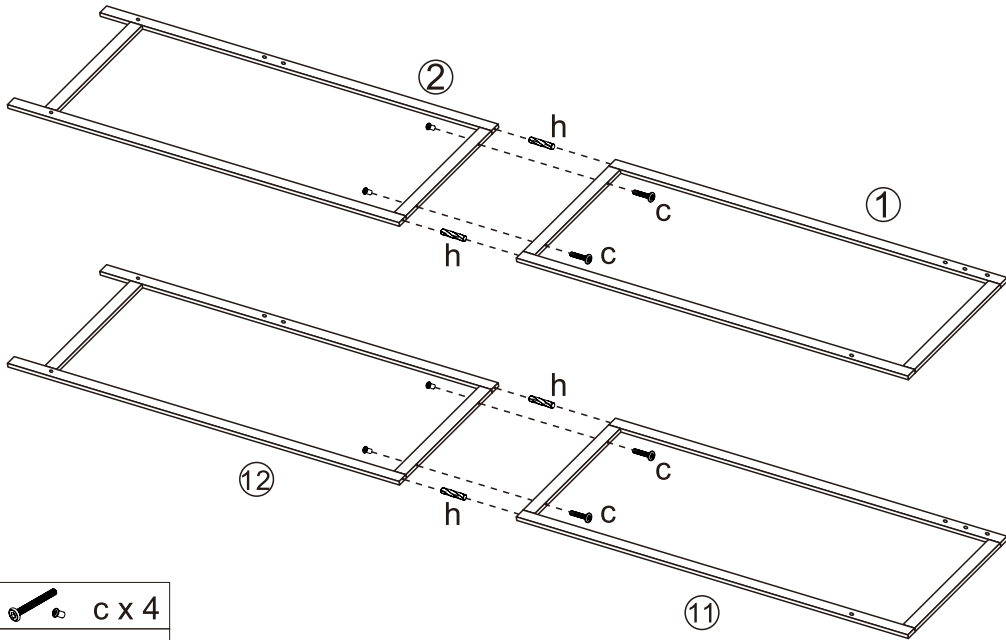
	a	M5x35mm	21PCS		i	1PC
	b	M5x30mm	4PCS		j	2PCS
	c	M6x45mm	4PCS		k	1PC
	d	M4x16mm	2PCS		l	1PC
	e	M3x30mm	2PCS		n	22PCS
	f	M4x14mm	6PCS		o	5PCS
	g	M4x15mm	1PC			
	h	M8x30mm	4PCS			





Do not tighten the screws fully during assembly.  
Fully tighten screws after the final assembly steps

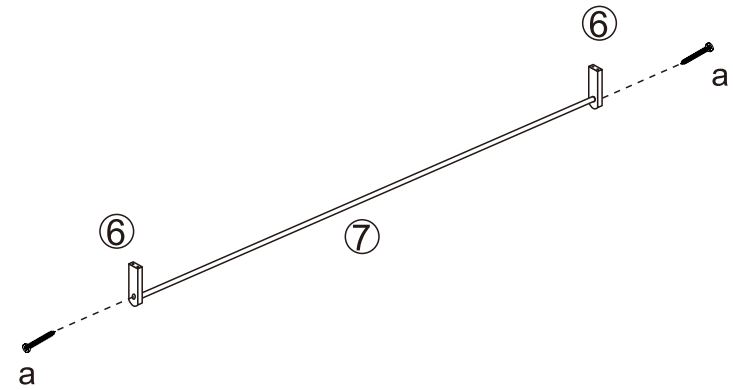


### STEP 1:



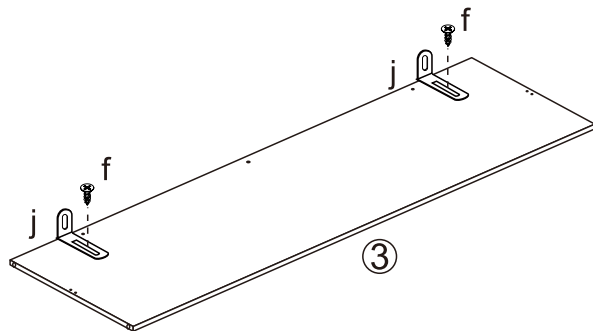
- |  |
|--|
|  c x 4 |
|  h x 4 |



### STEP 2:



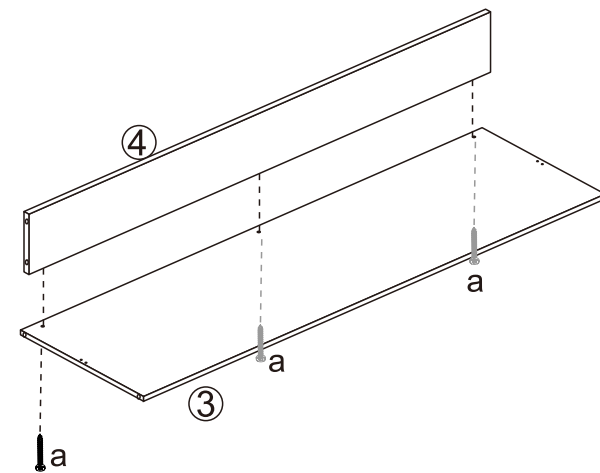
- |   |
|---|
|  a x 2 |
|---|


### STEP 3:



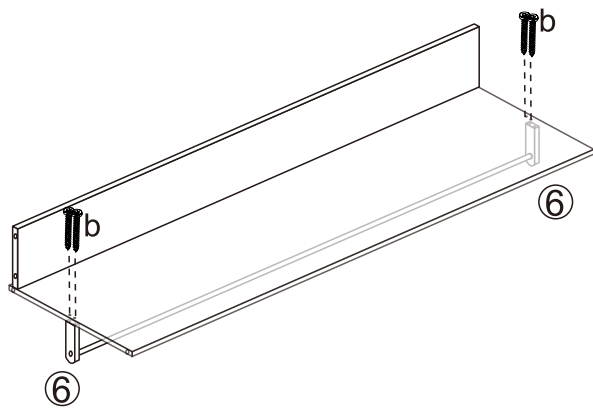
- |   |
|---|
|  f x 2 |
|  j x 2 |

### STEP 4:



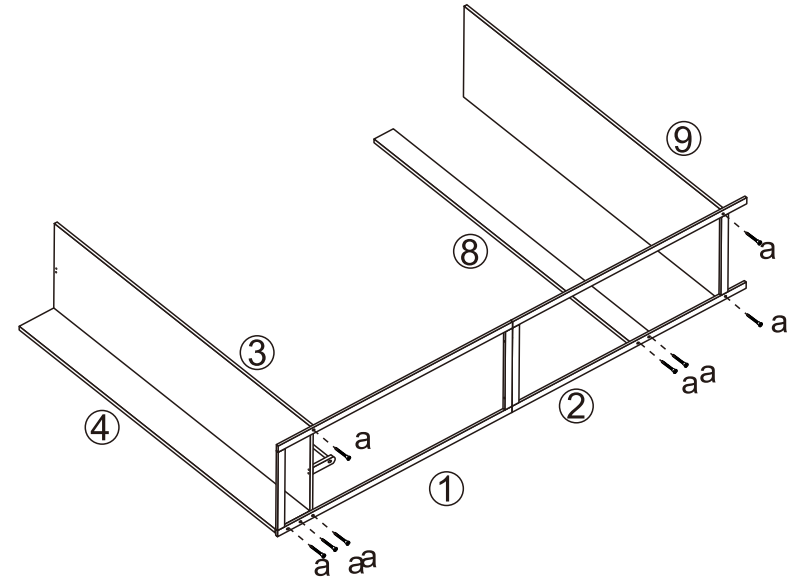
- |   |
|---|
|  a x 3 |
|---|

### STEP 5:



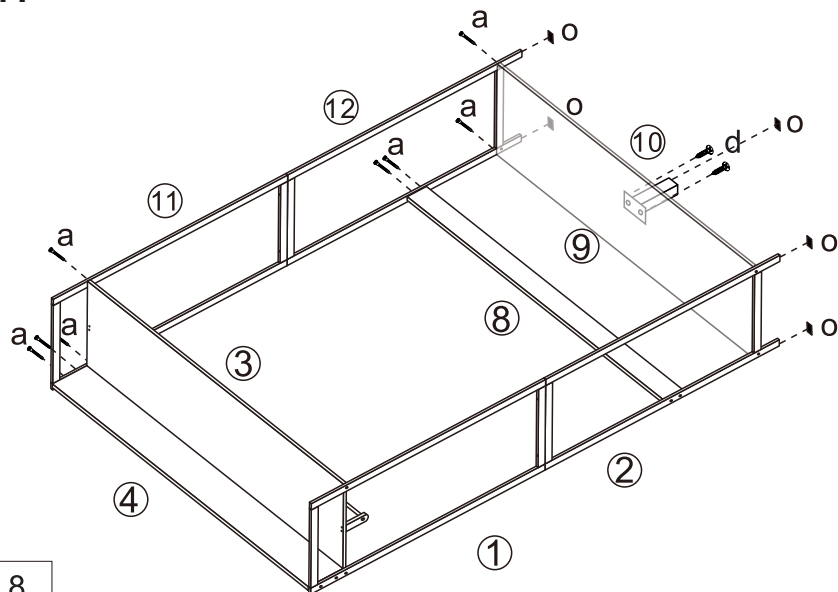
 b x 4

### STEP 6:



 a x 8

### STEP 7:

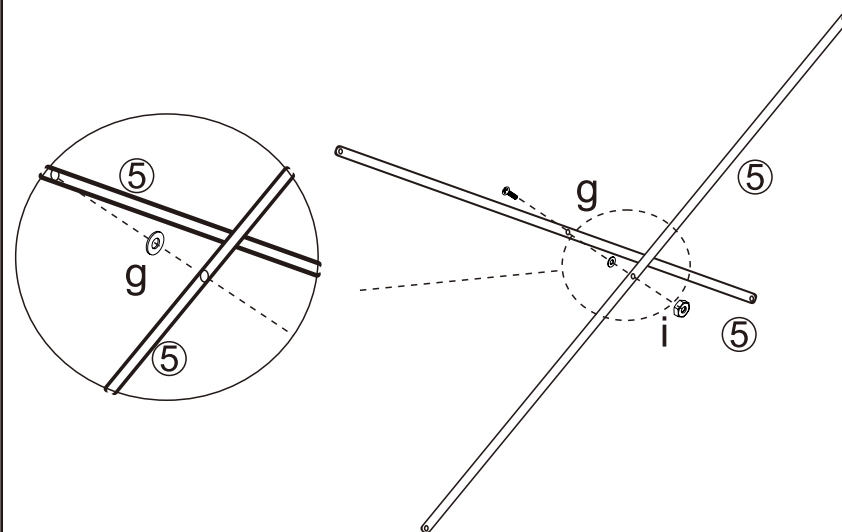


 a x 8

 d x 2

 o x 5

### STEP 8:

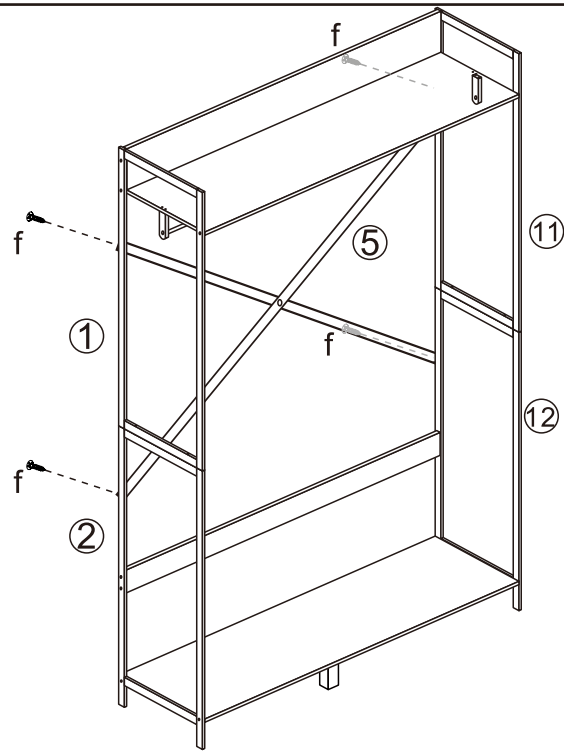


 g x 1

 i x 1

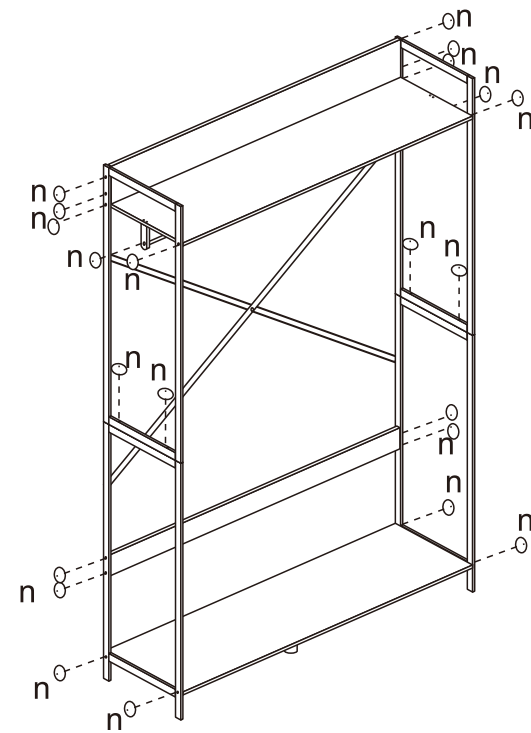
NOTE: Round gasket should be assembled between Part 5.

### STEP 9:



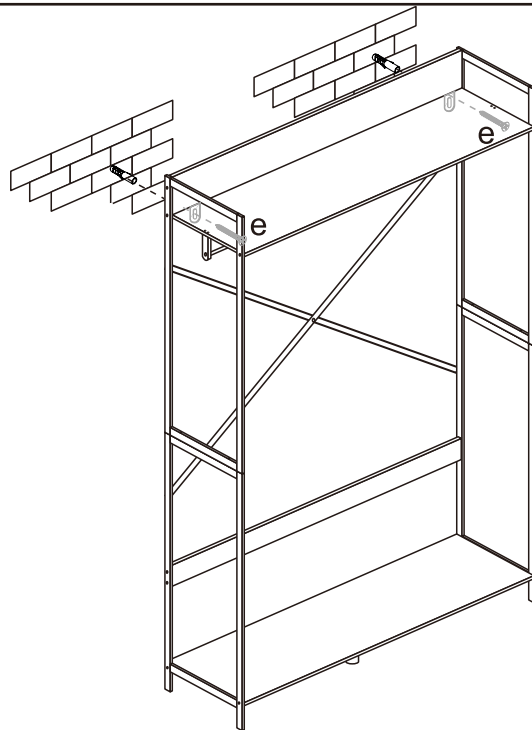
 f x 4

### STEP 10:



 n x 22

### STEP 11:



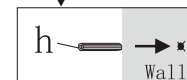
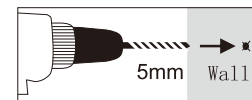
 e x 2

#### TOPPLING FURNITURE WARNING:

- It is strongly recommended that this product is permanently fixed to the wall.
- Please seek professional advice if you are in doubt of what fixing device to use.
- Regularly check that anchors are securely maintained.
- Stability of tall items may be affected by thick pile carpet or uneven floors .
- Do not place unanchored televisions on furniture .

**CAUTION:** for your safety when attaching the anchor fixings, please note the following:

- Check any electrical wires or plumbing inside the wall before drilling any holes (if you are unsure please seek professional advice from a qualified tradesperson).



**WARNING:** PLEASE SECURE YOUR FURNITURE WITH THE SUPPLIED WALL FIXING. SCAN THE CODE FOR MORE INFORMATION.

