

Assembly Instructions

43231348 SLIMLINE METAL PLANTER

CARE INSTRUCTIONS:

WIPE CLEAN WITH A SOFT DAMP CLOTH. DO NOT USE ABRASIVE MATERIALS AND SOLVENTS. CHECK AND TIGHTEN ALL PARTS REGULARLY. FOR DOMESTIC USE ONLY.

WARNING:

DO NOT STAND, SIT OR LEAN ON THE PRODUCT. USE ONLY ON A FLAT SURFACE. DO NOT USE UNTIL ALL SCREWS, BOLTS AND KNOBS ARE FIRMLY SECURED.







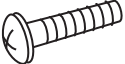



THIS PRODUCT CONTAINS SMALL PARTS AND SHARP POINTS, KEEP AWAY FROM CHILDREN AND BABIES. ADULT ASSEMBLY REQUIRED.


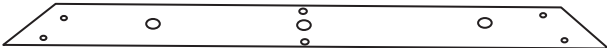
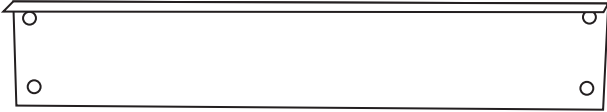
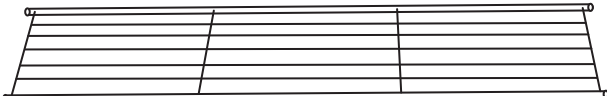

FAILURE TO FOLLOW THESE WARNINGS COULD RESULT IN SERIOUS INJURY.

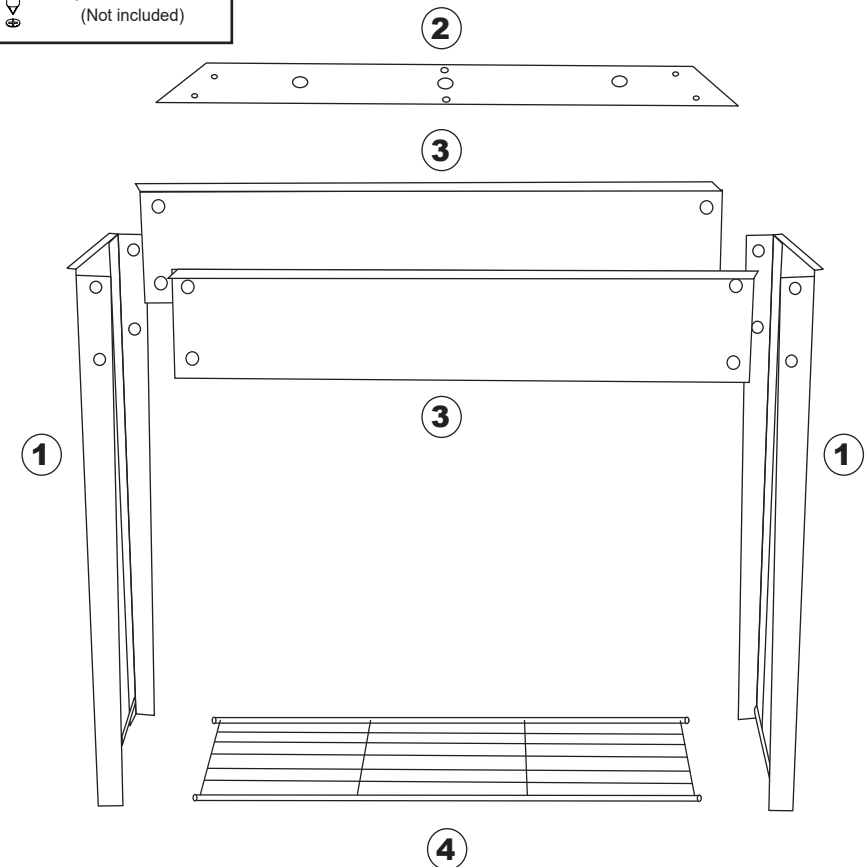
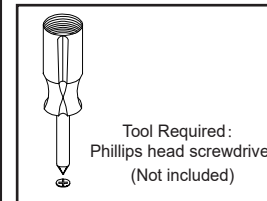
PRODUCT HAS HOLES FOR WATER DRAINAGE. ENSURE SURFACE BELOW IS SUITABLE OR PLACE A MAT UNDERNEATH.

MAXIMUM LOADING CAPACITY: 20kg FOR PLANTER BOX, 10kg FOR TRAY.

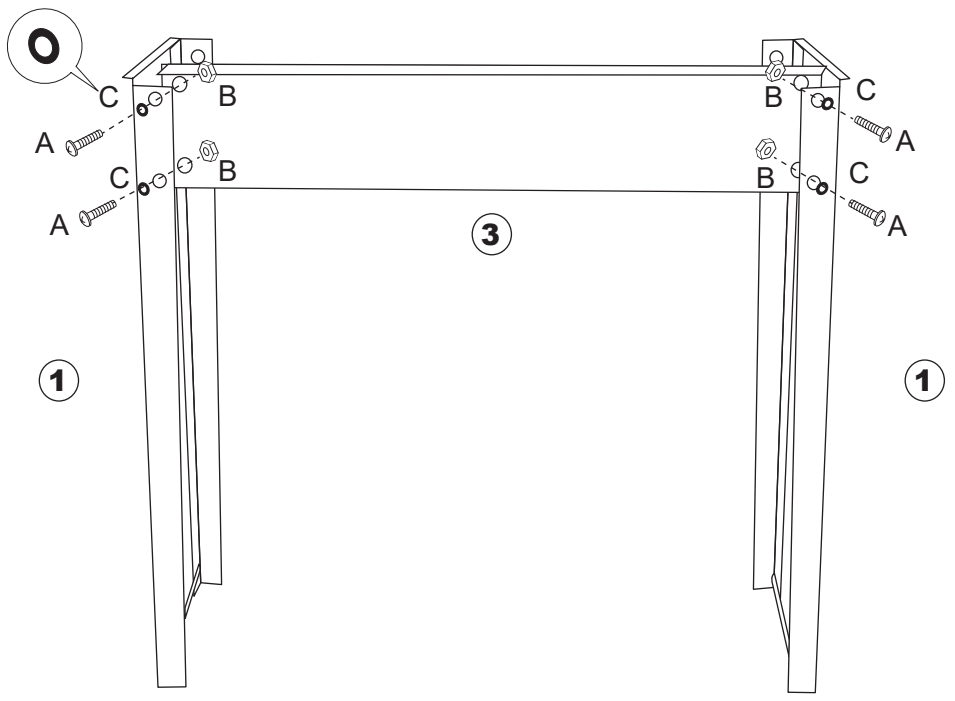
Hardware list

	A	Screw	14 PCS		F	Drainage Hole Stoppers	3 PCS
	B	Nut	14 PCS		G	Screw	2 PCS
	C	Washers	14 PCS		H	Wall Plug	2 PCS
	D	Screw	4 PCS		I	Washers	2 PCS
	E	Foot Pad	4 PCS		J	Strap	2 PCS

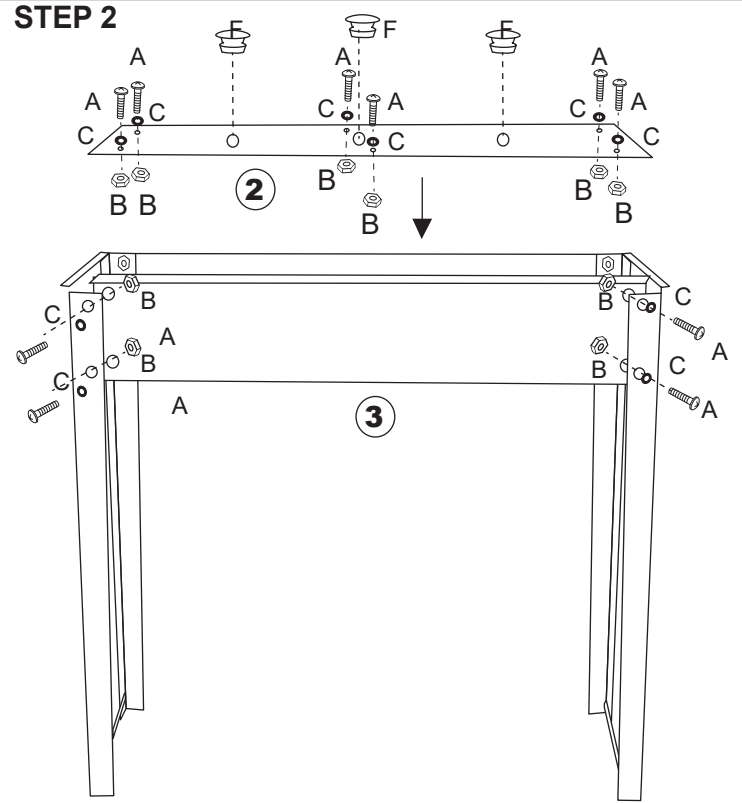
		1PC
		2 PCS
		1 PC
		2PCS



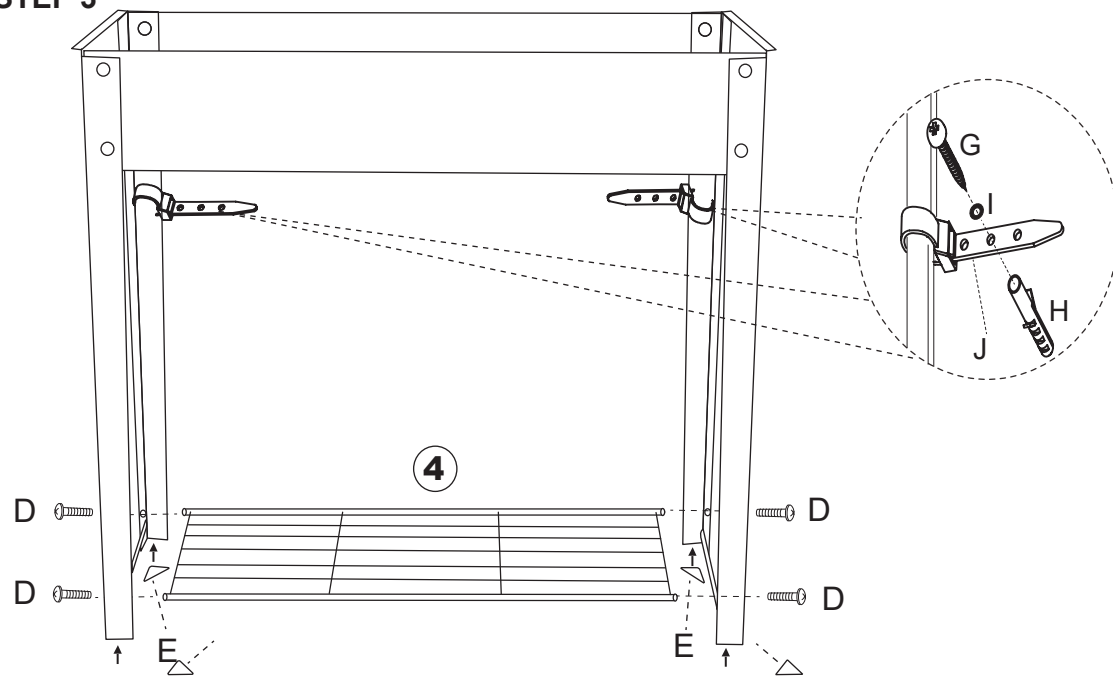
STEP 1



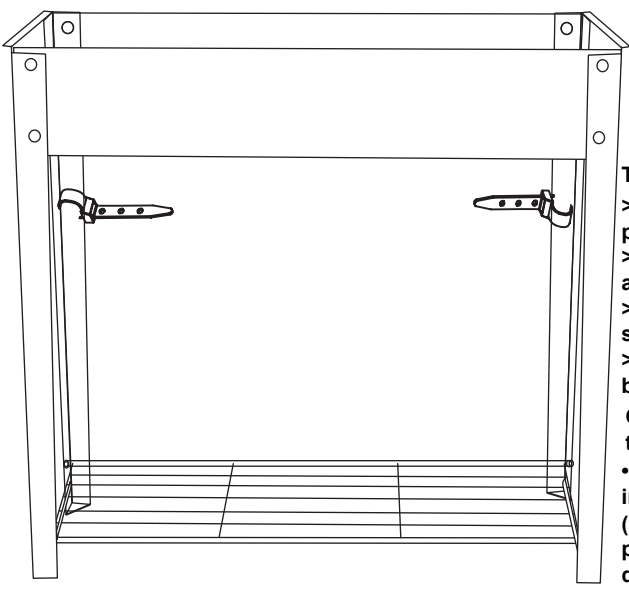
STEP 2



STEP 3



STEP 4



TOPPLING FURNITURE WARNING:
 >It is strongly recommended that this product is permanently fixed to the wall.
 >Please seek professional advice if you are in doubt of what fixing device to use.
 >Regularly check that anchors are securely maintained.
 >Stability of tall items may be affected by thick pile carpet or uneven floors.
 Caution: for your safety when attaching the anchor fixings, please note the following:
 • Check any electrical wires or plumbing inside the wall before drilling any holes (if you are unsure please seek professional advice from a qualified tradesperson).