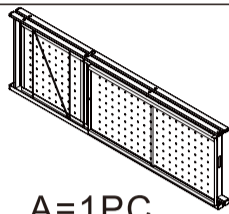


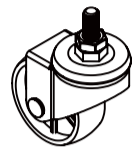
# 尺寸A4

## Assembly Instructions

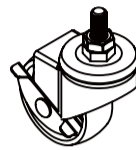
43233410 4 tier Foldable Metal Shelf



A=1PC



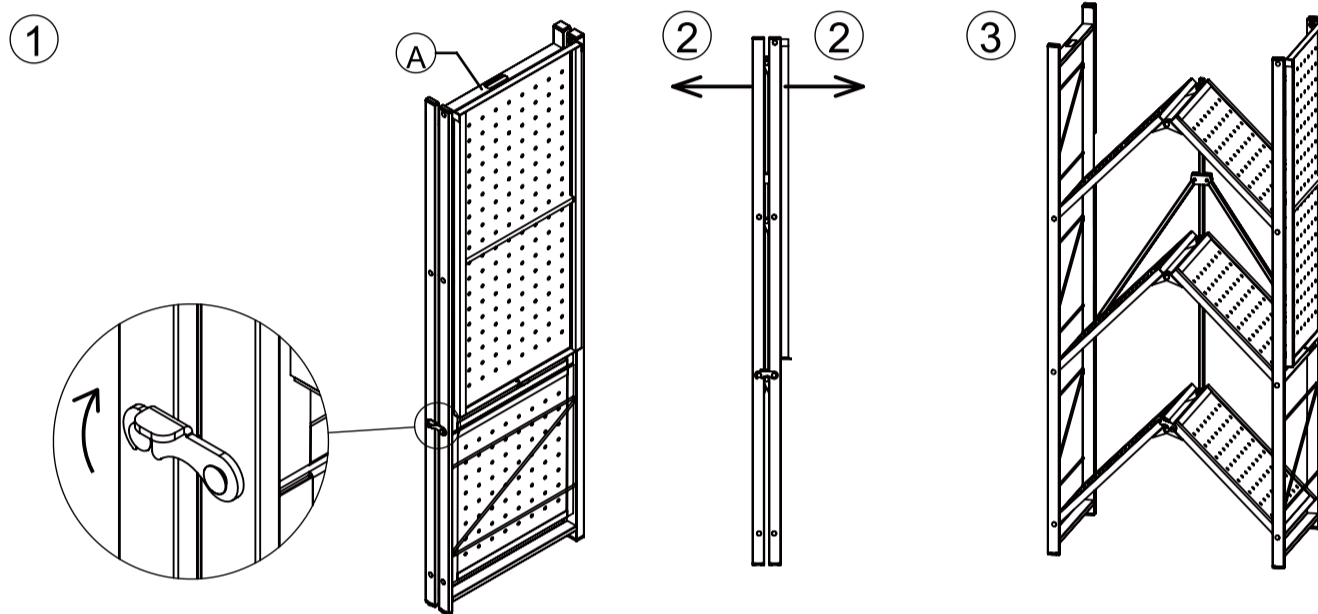
B=2PCS



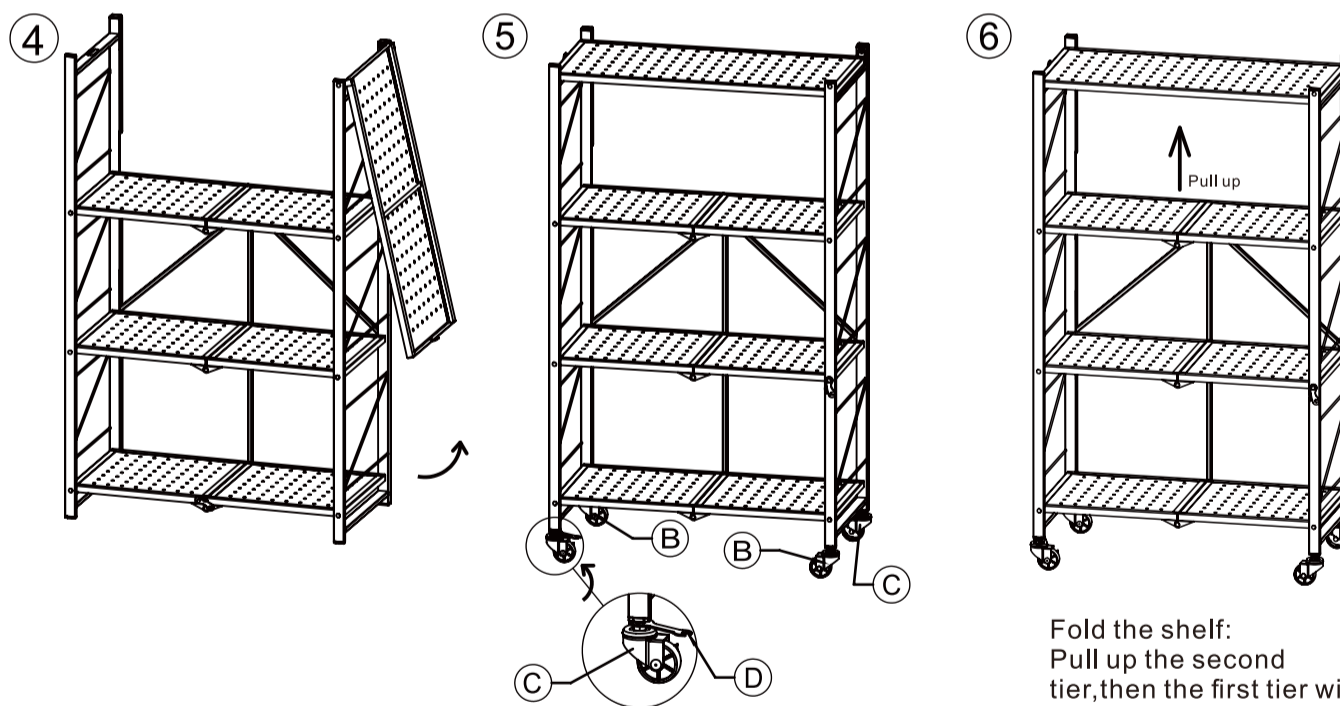
C=2PCS



D=1PC



Release the side lock, then open the rack by pulling on both sides



Fold the shelf:  
Pull up the second tier, then the first tier will be releasing automatically.

### CARE INSTRUCTION

Wipe clean with a soft damp cloth. Do not use abrasive materials solvents. Keep away from water and direct sunlight. For indoor and domestic use.

### WARNINGS:

Do not stand, sit or lean on the trolley. Use only on a flat surface. Do not use until all screws, bolts and knobs are firmly secured. Adult assembly required. Load the weight evenly on the shelves. Failure to follow these warnings could result in serious injury.

Max loading weight: 20 kg/layer.