

## 12 month warranty

Thank you for your purchase from Kmart.

Kmart Australia Ltd warrants your new product to be free from defects in materials and workmanship for the period stated above, from the date of purchase, provided that the product is used in accordance with the accompanying recommendations or instructions where provided. This warranty is in addition to your rights under the Australian Consumer Law.

Kmart will provide you with your choice of a refund, repair or exchange (where possible) for this product if it becomes defective within the warranty period. Kmart will bear the reasonable expense of claiming the warranty. This warranty will no longer apply where the defect is a result of alteration, accident, misuse, abuse or neglect.

Please retain your receipt as proof of purchase and contact our Customer Service Centre on **1800 124 125 (Australia)** or **0800 945 995 (New Zealand)** or alternatively, via Customer Help at **kmart.com.au** for any difficulties with your product. Warranty claims and claims for expense incurred in returning this product can be addressed to our Customer Service Centre at 690 Springvale Rd, Mulgrave Vic 3170.

Our goods come with guarantees that cannot be excluded under the Australian Consumer Law. You are entitled to a replacement or refund for a major failure and compensation for any other reasonably foreseeable loss or damage. You are also entitled to have the goods repaired or replaced if the goods fail to be of acceptable quality and the failure does not amount to a major failure.

For New Zealand customers, this warranty is in addition to statutory rights observed under New Zealand legislation.

**WARNING** Do not dispose of unit in fire or water. › Never attempt to disassemble and reassemble. › Waste electrical products should not be disposed of with household waste, please recycle where facilities exist. › Check with your local authority for recycle advice. › Keep your device and all accessories out of the reach of children and animals. › Small parts may cause choking or serious injury if swallowed. › Avoid exposing your device to very cold or very hot temperatures (below 0°C or above 45°C). › Extreme temperatures can cause deforming of the device and reduce the charging capacity and life of your device. › Do not allow your device to get wet—liquids can cause serious damage. › Do not handle your device with wet hands.

## Kids Bluetooth Headphones with LED Light

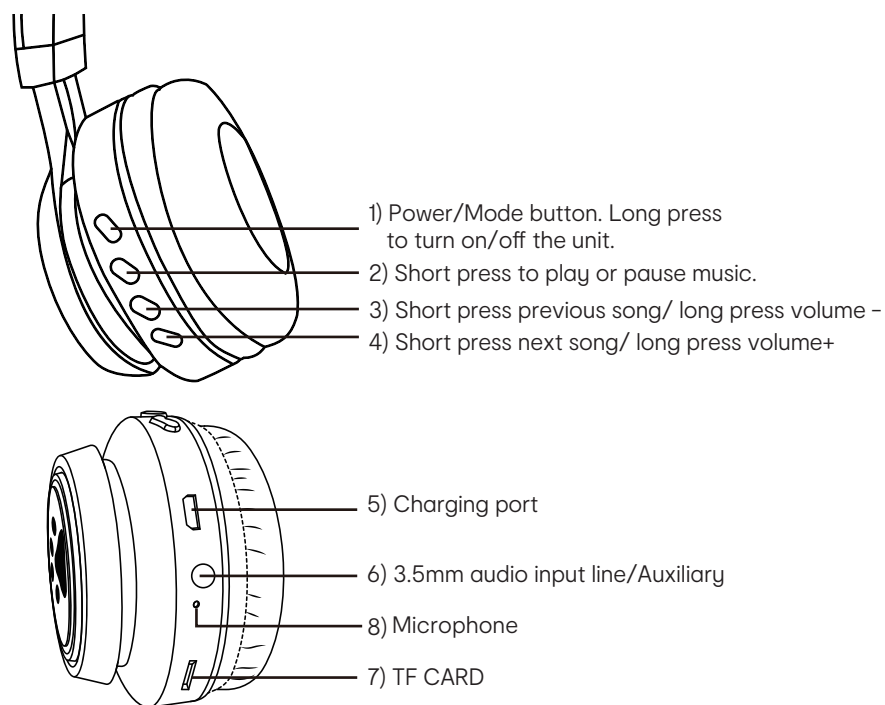
# Operating instructions

includes:

- › Headset
- › Manual



## Function overview:



### How to use this headphone

#### 1. Power on/off

Long press 1) button 2 seconds to turn the unit on

Long press 1) button 2 seconds to turn the unit off.

#### 2. Pairing a Bluetooth device for the first time

1. Turn the unit on.

2. Turn on your external device.

3. Select Bluetooth device name "KM43233625" in your Bluetooth settings menu to pair.

4. When successfully paired and connected, a beep will issue from the unit.

After initial pairing, the unit will stay paired unless unpaired manually by the user.

If you have used Bluetooth connection before, the system will start searching for the device last connected. When the device is found, the system will re-connect automatically.

**NOTE:** Only one Bluetooth device can be connected to the headphone at one time. When Aux in is connected, Bluetooth function will be switched off, please disconnect the Aux in cable before using Bluetooth.

### NOTE:

Should your device become unpaired or you are not able to connect it, repeat the above steps.

### Charging:

The headphone are powered via an integrated rechargeable battery. The battery cannot be removed or replaced.

Upon initial use, the battery should be charged fully to ensure optimal performance and battery life.

Charge the device with the included USB charging cable. Plug the micro-USB end of the charging cable into the DC charging port (5) and the USB end into a suitable USB port on your computer or a USB wall charger with DC5V. Charging time approx. 2 hours, when connected to a standard USB port.

### AUX- in mode

No need to turn on the headphone, Connect with mobile phone, computer or other audio equipment with 3.5mm AUX cable. Then it works.

### TF card Mode

Turn on the headphone, insert the MicroSD card into the slot, music will play automatically when there is audio files stored.

Short press  to play/pause

Short press +/- to control previous/next song

Long press +/- to control volume

Supported file format: MP3/WAV/WMA

**Notes:** Press **M** button to switch the mode, when you hear a beep notify means switch to next mode. Total have 2 different mode: TF card mode – Bluetooth mode

### Hands free

Press 2) button to answer or hang up a phone call

Press 2) button twice to redial the last number

### Specifications:

#### DRIVER:

40MM

#### IMPEDANCE:

32 Ohm

#### SENSITIVITY:

81dB ±3dB AT 1kHz

#### FREQUENCY RESPONSE:

20Hz – 20kHz

#### CABLE:

3.5MM ROUND AUX CABLE

#### Plug Type:

MICRO CHARGING CABLE+3.5mm AUX CABLE