

Assembly Instructions

43235049 8 Metal Tier Shoe Rack







CARE INSTRUCTION: WIPE CLEAN WITH A SOFT DRY OR DAMP CLOTH. KEEP AWAY FROM WATER AND DIRECT SUNLIGHT. FOR INDOOR AND DOMESTIC USE. CHECK AND TIGHTEN ALL PARTS REGULARLY.

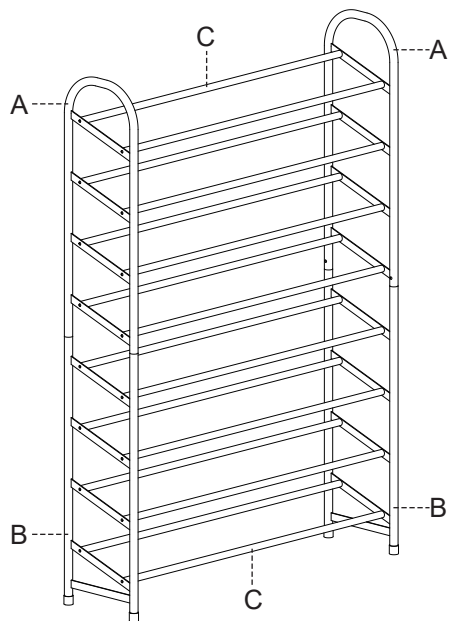
WARNING: DO NOT STAND OR SIT ON THE UNIT. DO NOT LEAN ON THE PRODUCT. DO NOT USE UNTIL ALL SCREWS, BOLTS AND KNOBS ARE FIRMLY SECURED. THIS PRODUCT CONTAINS SMALL PARTS AND SHARP POINTS, KEEP AWAY FROM CHILDREN AND BABIES.

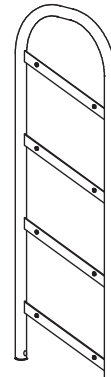
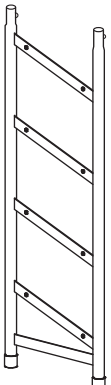

ADULT ASSEMBLY REQUIRED. FAILURE TO FOLLOW THESE WARNINGS COULD RESULT IN SERIOUS INJURY.

MAXIMUM LOADING WEIGHT: 2.5KGS FOR EACH SHELF, 20KGS IN TOTAL

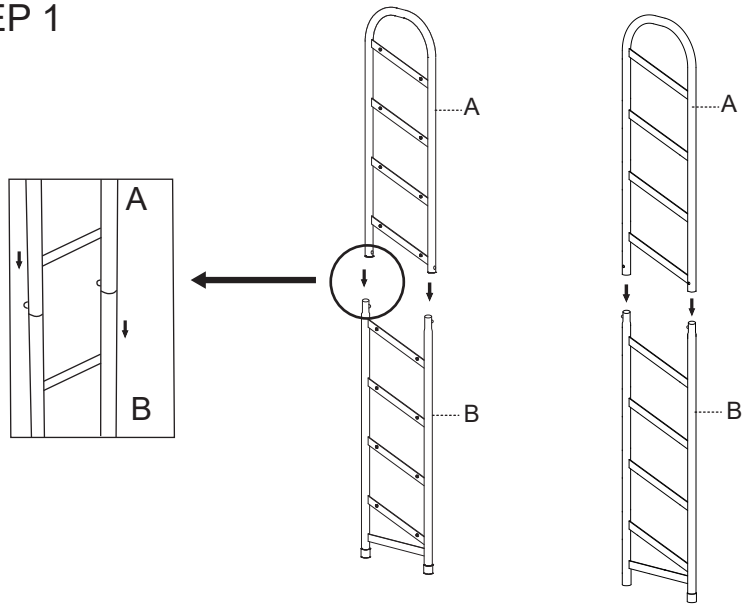
Hardware list

	a		32PCS		e		2PCS
	b		4PCS		Tool required Philips Head Screw Driver (Not Provided)		
	c		2PCS				
	d		2PCS				

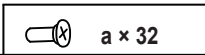
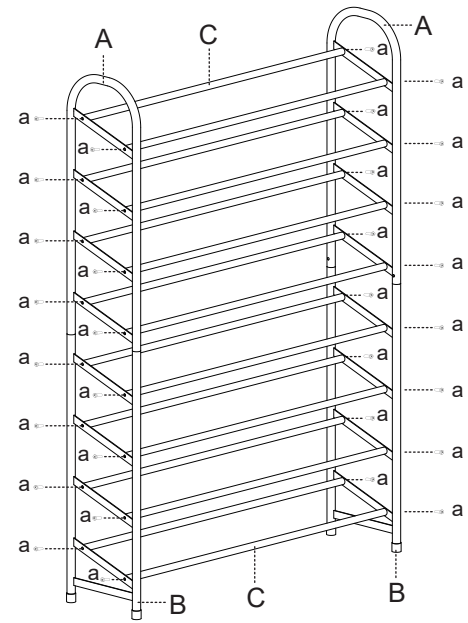


			
A	2PCS	B	2PCS
			
C	16PCS		

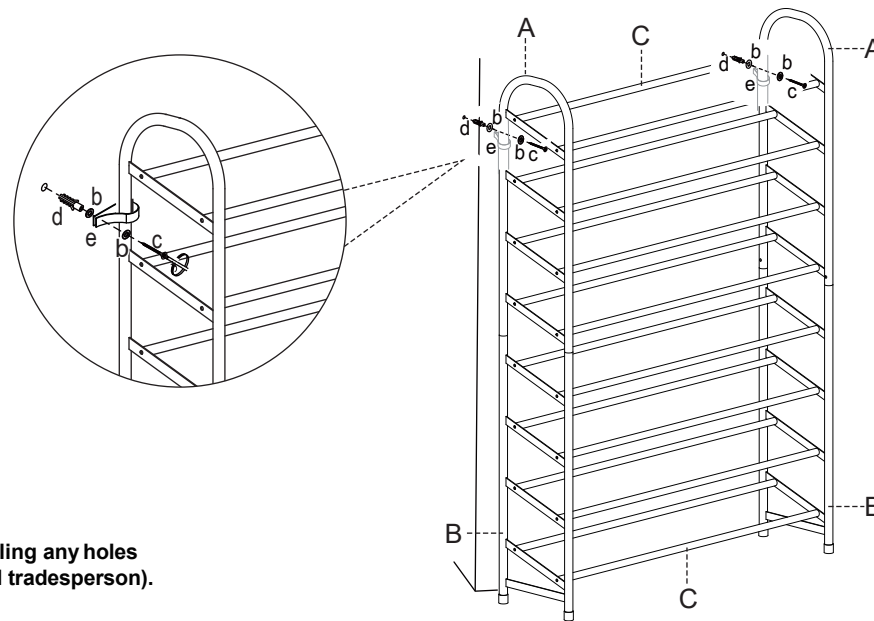
STEP 1



STEP 2



STEP 3



Warning:

- It is strongly recommended that this product is permanently fixed to the wall. Please seek professional advice if you are in doubt of what fixing device to use.
 - Regularly check that anchors are securely maintained.
- CAUTION:** for your safety when attaching the anchor fixings, please note the following:
- Check any electrical wires or plumbing inside the wall before drilling any holes (if you are unsure please seek professional advice from a qualified tradesperson).

