

Assembly Instructions

43235148 ALFRESCO PLANT STAND

CARE INSTRUCTIONS:

WIPE CLEAN WITH A SOFT DAMP CLOTH. DO NOT USE ABRASIVE MATERIALS AND SOLVENTS. CHECK AND TIGHTEN ALL PARTS REGULARLY. FOR DOMESTIC USE ONLY.

WARNING:



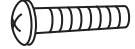



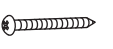
DO NOT STAND, SIT OR LEAN ON THE PRODUCT. USE ONLY ON A FLAT SURFACE. DO NOT USE UNTIL ALL SCREWS, BOLTS AND KNOBS ARE FIRMLY SECURED.

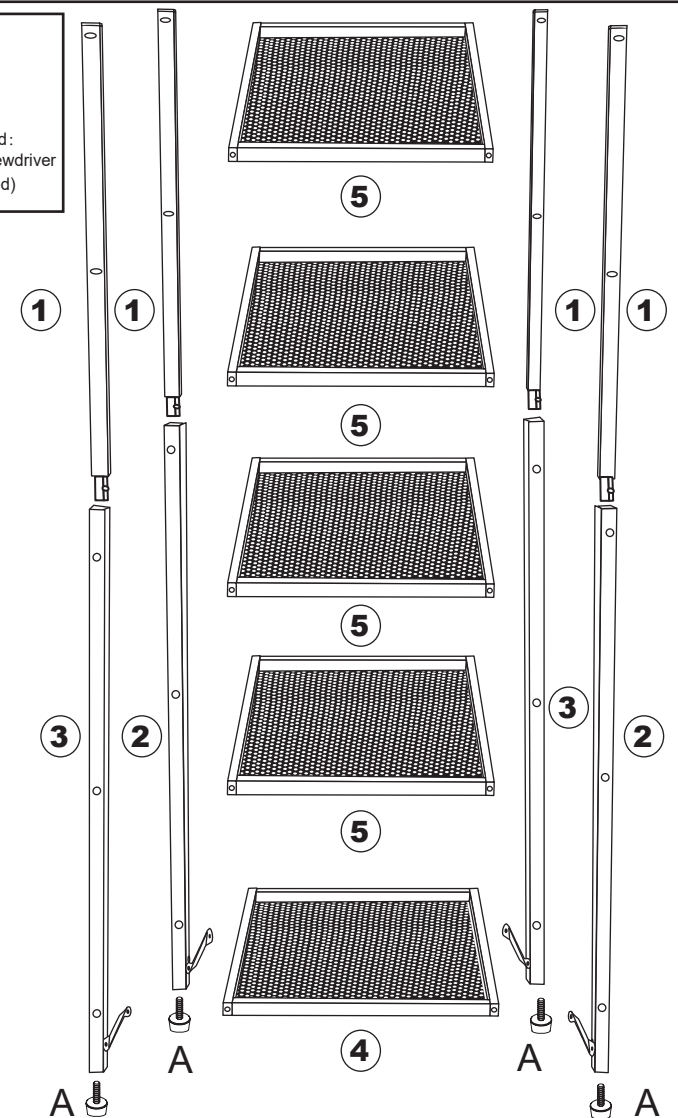
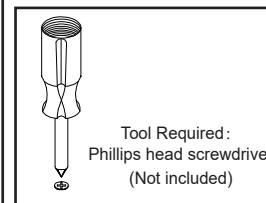
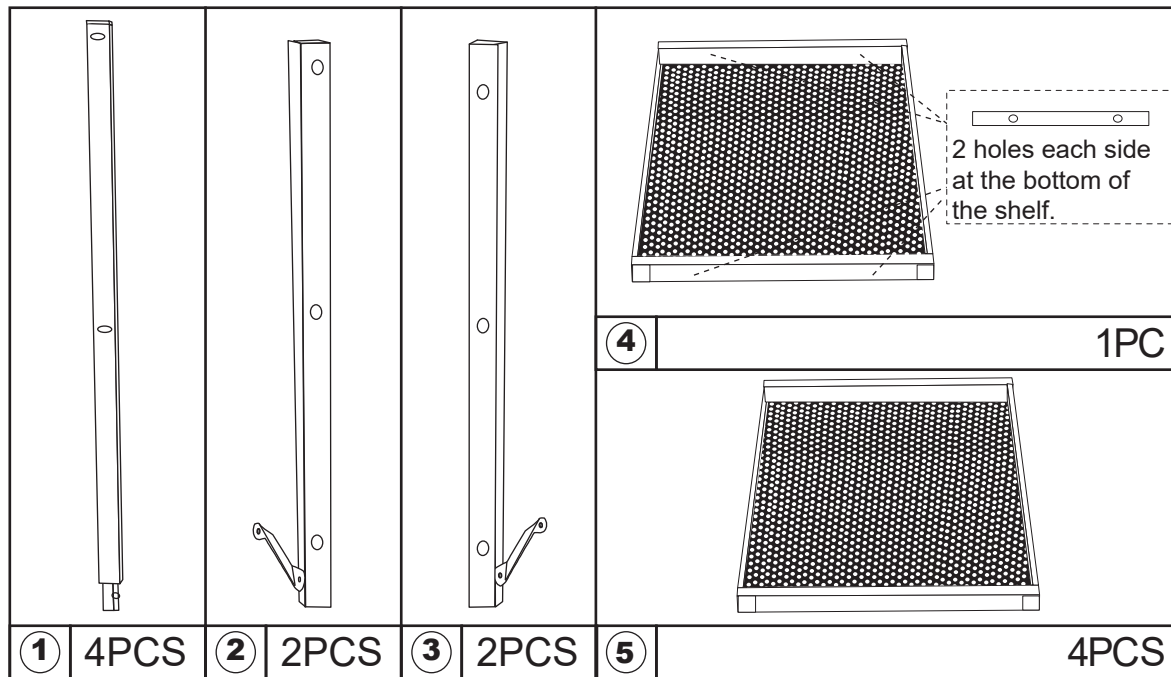
THIS PRODUCT CONTAINS SMALL PARTS AND SHARP POINTS, KEEP AWAY FROM CHILDREN AND BABIES. ADULT ASSEMBLY REQUIRED.

FAILURE TO FOLLOW THESE WARNINGS COULD RESULT IN SERIOUS INJURY.

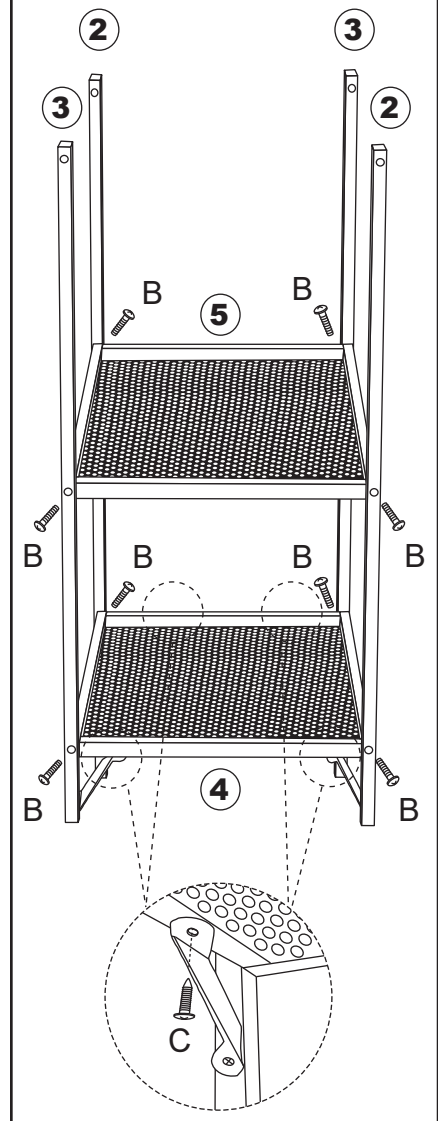
MAXIMUM SAFE LOAD: 7.5kg FOR EACH SHELF.

Hardware list

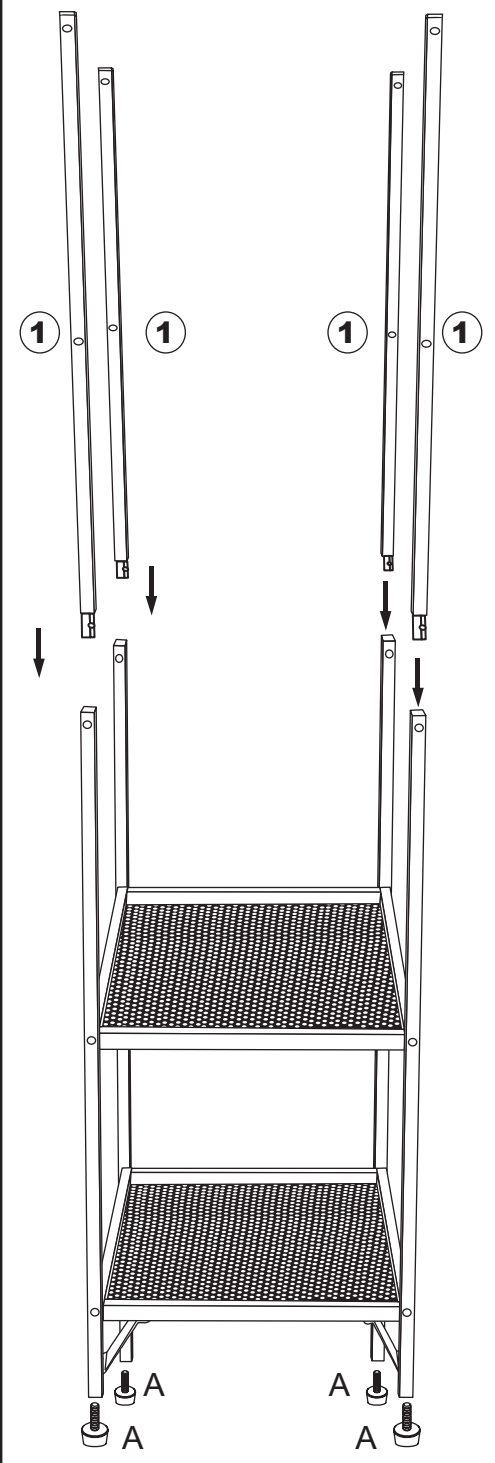
	A	Stopper	4 PCS		E	Wall Plug	2 PCS
	B	Screw	20 PCS		F	Washers	2 PCS
	C	Screw	4 PCS		G	Strap	2 PCS
	D	Screw	2 PCS				



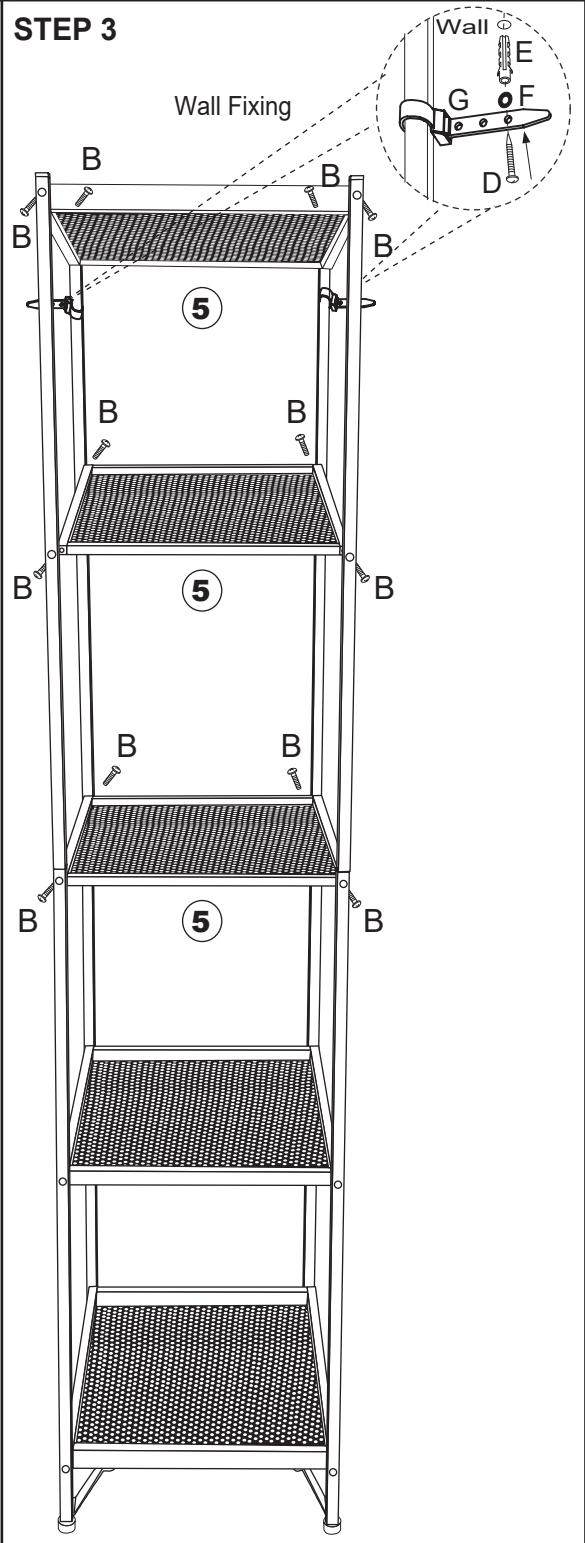
STEP 1



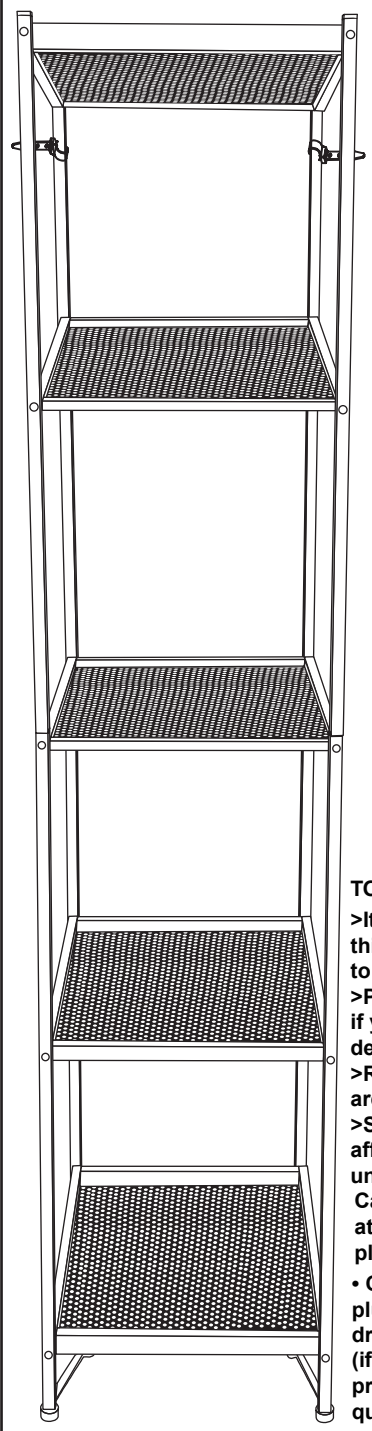
STEP 2



STEP 3



STEP 4



TOPPLING FURNITURE WARNING:
 >It is strongly recommended that this product is permanently fixed to the wall.
 >Please seek professional advice if you are in doubt of what fixing device to use.
 >Regularly check that anchors are securely maintained.
 >Stability of tall items may be affected by thick pile carpet or uneven floors.
 Caution: for your safety when attaching the anchor fixings, please note the following:

- Check any electrical wires or plumbing inside the wall before drilling any holes (if you are unsure please seek professional advice from a qualified tradesperson).