

anko

Instruction manual



Keycode: 43243969
Microphone Boom Arm

To ensure optimum performance and safety, please read this instructions carefully before operating this product.

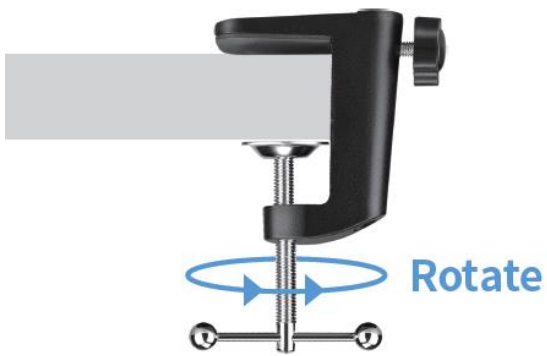
Product feature:

1. The bracket corner adopts high-quality screws, which can adjust the angle up and down, and the maximum height can reach around 75cm.
2. The table mount base can be clamped to a table with a thickness of about 6cm.

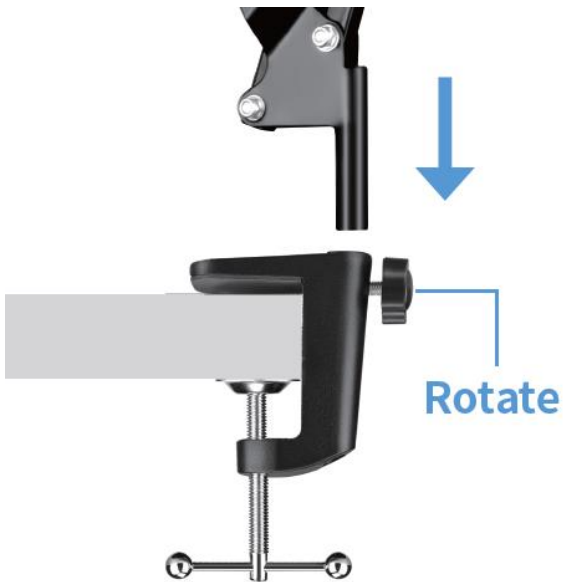


How to install

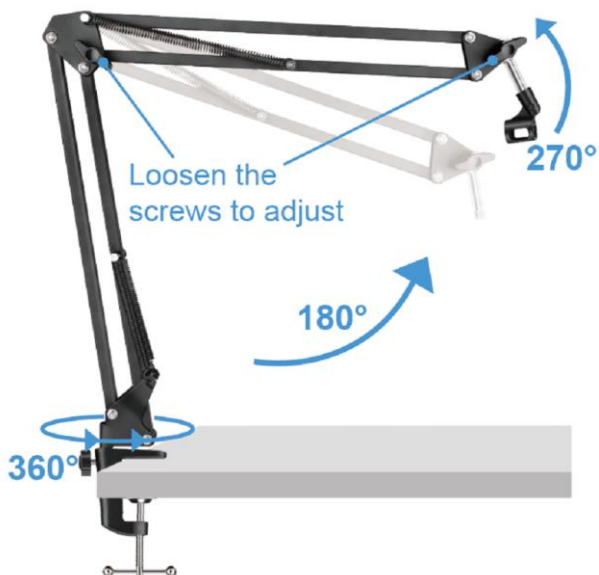
Step 1: Take the product out of the box, put the stand base on the table and rotate it to tighten.



Step 2: Fix the microphone stand on the base, and rotate the nut to fix the stand.



Step 3: Rotate the screws, adjust it to a suitable position you want and tighten the screw.



Step 4: Adjust the position of the rod and tighten the screws.



Step 5: Put the handheld microphones (**Not included**) on the microphone clip.



Step 6: Put the pop filter on microphone stand and tighten the screws to complete the installation.



Note

Please tighten the screws of these three parts when before use.

