

Assembly Instructions

43244041 6 DRAWER BASKET CHEST

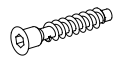

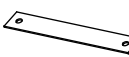

WARNING: DO NOT STAND, SIT OR LEAN ON THIS UNIT. DO NOT USE THIS UNIT AS A STEP LADDER OR AS A CHOPPING SURFACE. KEEP AWAY FROM CHILDREN AND BABIES. ADULT ASSEMBLY REQUIRED. USE ONLY ON A FLAT SURFACE. ADULT ASSEMBLY REQUIRED. LOAD THE DRAWER EVENLY TO PREVENT IT FROM TIPPING OVER. DO NOT USE THIS UNIT UNLESS ALL BOLTS AND SCREWS ARE FIRMLY SECURED.


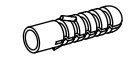

CARE INSTRUCTIONS: TO BE ASSEMBLED ON A CLEAN, DRY AND SMOOTH SURFACE. WIPE CLEAN WITH A SOFT DAMP CLOTH. NEVER USE SCOURERS, ABRASIVES OR CHEMICAL SOLVENTS. CHECK AND TIGHTEN ALL PARTS REGULARLY. KEEP AWAY FROM MOISTURE AND DIRECT SUNLIGHT. STORE IN A DRY PLACE. FOR INDOOR AND DOMESTIC USE ONLY.

MAXIMUM SAFE LOAD: 20KGS FOR TOP PANEL, 3KGS FOR EACH DRAWER.

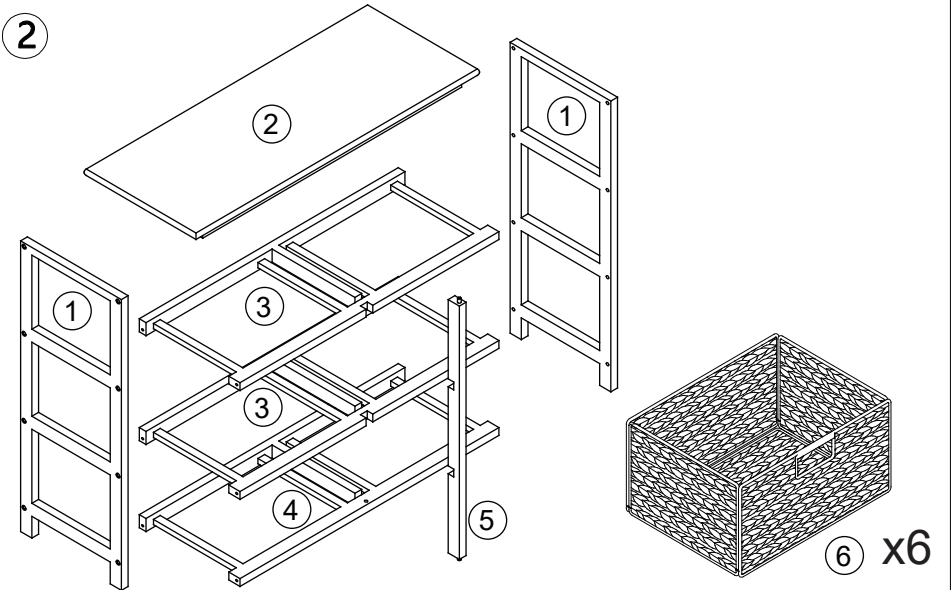
①

Hardware List

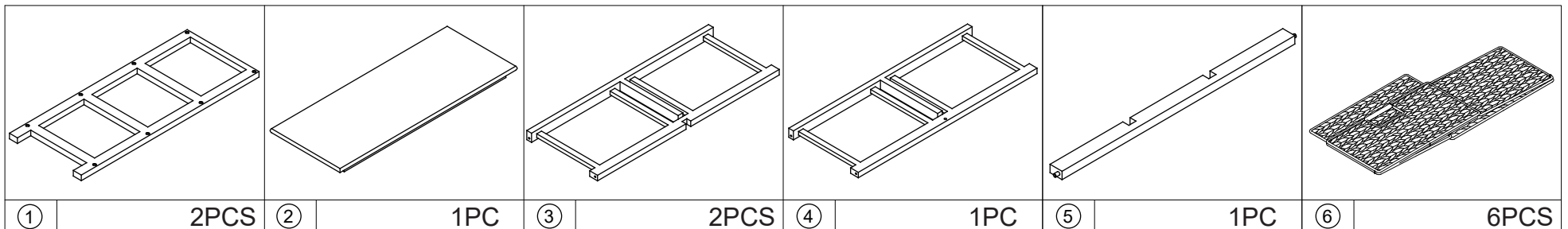
	A	M5x50mm	16pcs
	B	3mm	1pc
	C	20x150mm	2pcs
	D	M4x14mm	2pcs

	E	M4x35mm	2pcs
	F	Ø6x29mm	2pcs
	G	Ø12mm	16pcs

②



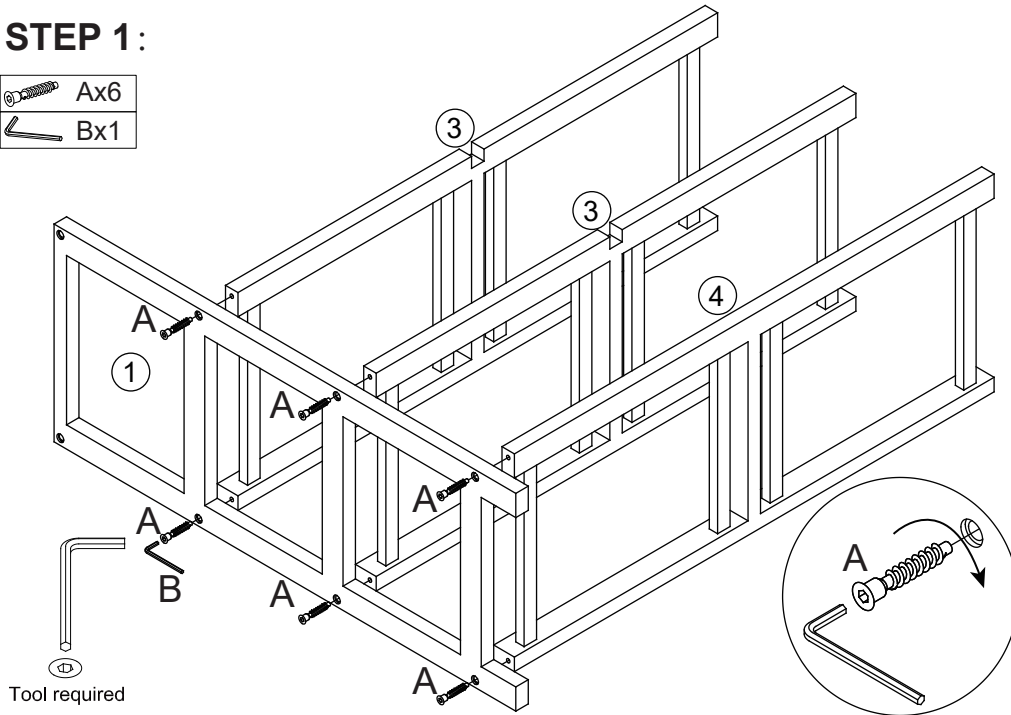
③



Do not tighten the screws fully during assembly.
Fully tighten screws after the final assembly steps

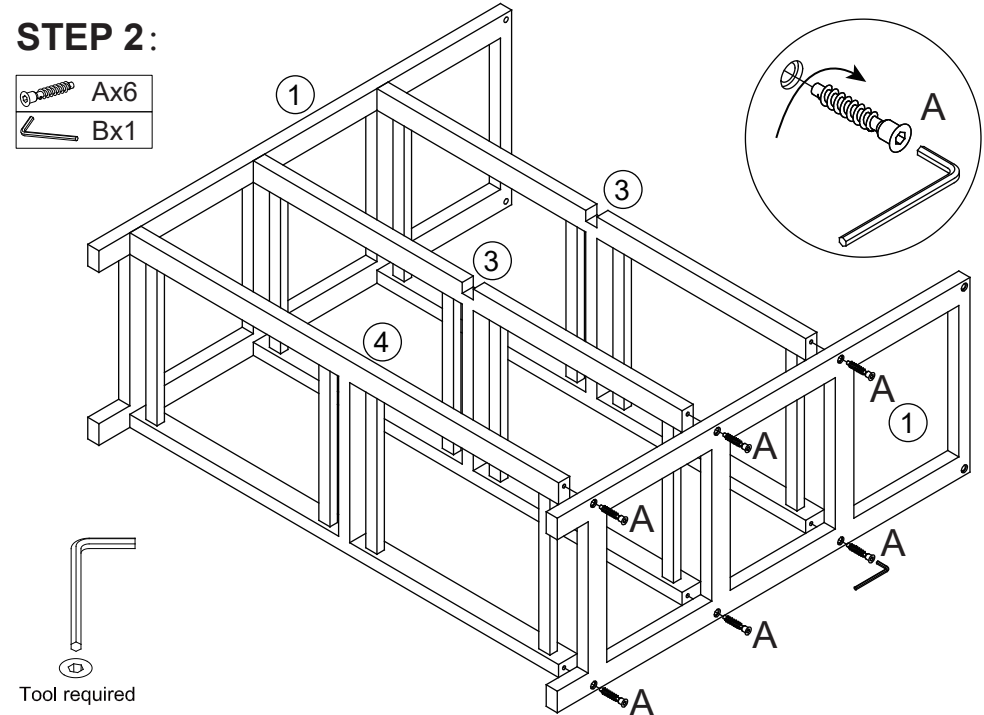
STEP 1:

- Ax6
- Bx1

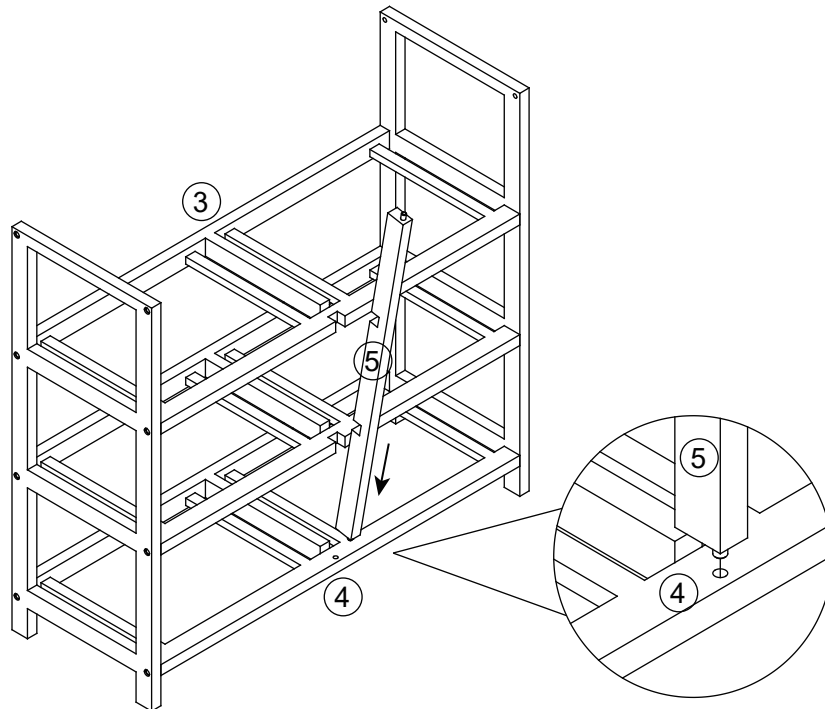


STEP 2:

- Ax6
- Bx1

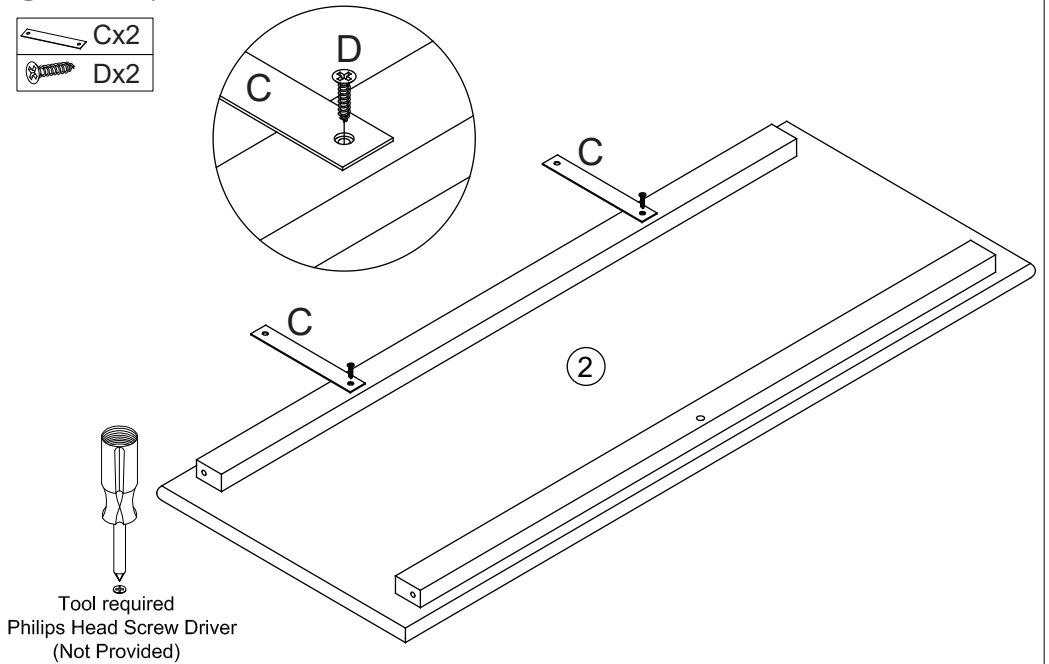


STEP 3:






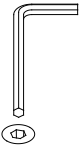
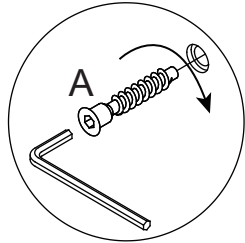
STEP 4:

- Cx2
- Dx2

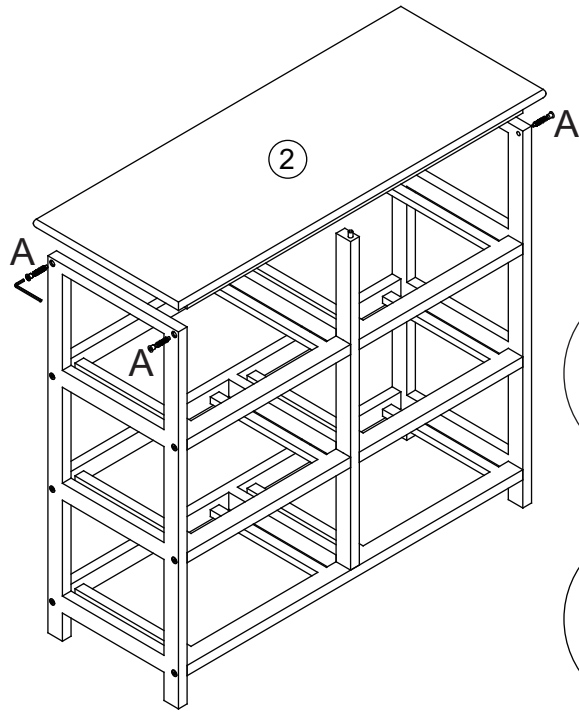


STEP 5:

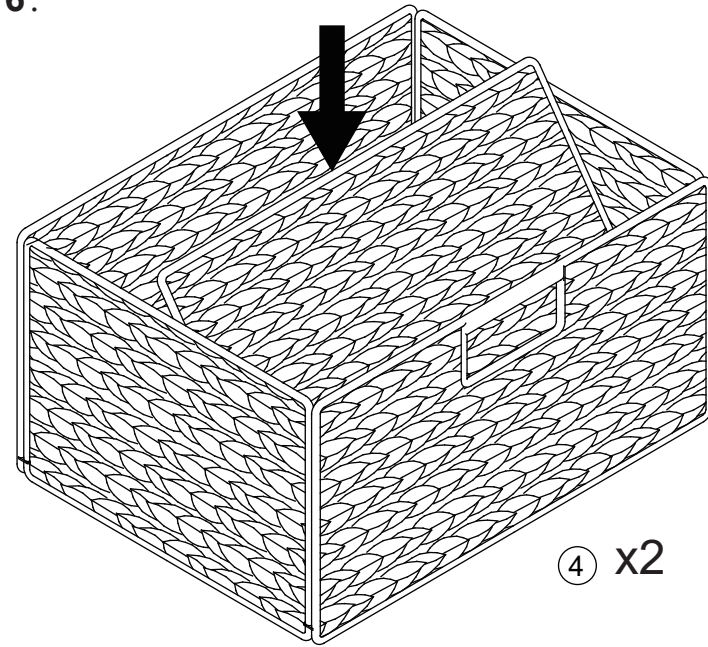
-  Ax4
-  Bx1
-  Gx16



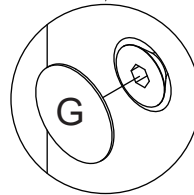
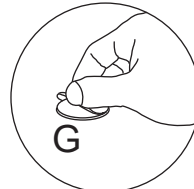
Tool required



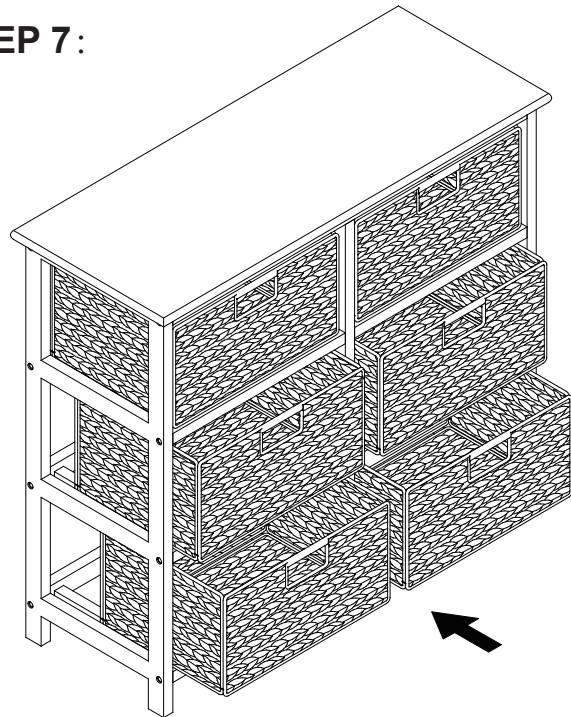
STEP 6:



④ x2

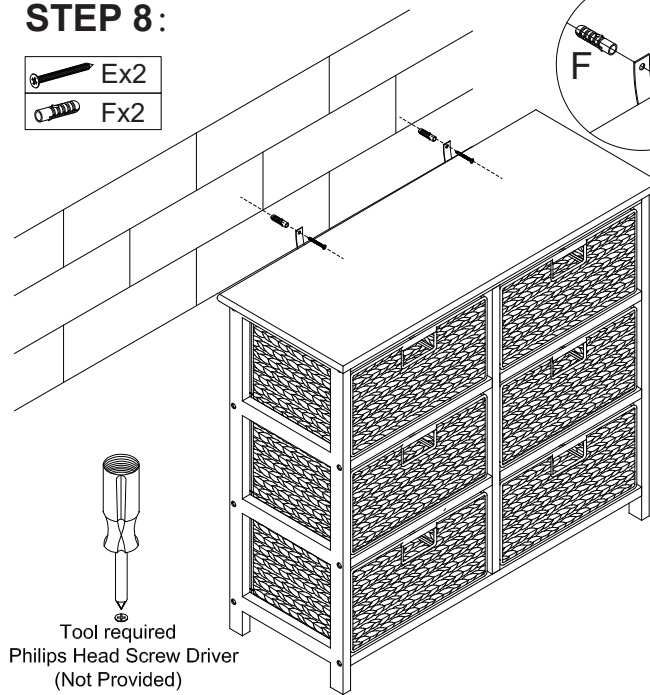
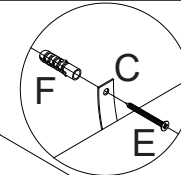


STEP 7:



STEP 8:

-  Ex2
-  Fx2



Tool required
Philips Head Screw Driver
(Not Provided)

User instructions should include the wording:

- **It is strongly recommended that this product is permanently fixed to the wall.**
- **Please seek professional advice if you are in doubt of what fixing device to use.**
- **Regularly check that anchors are securely maintained.**
- **Stability of tall items may be affected by thick pile carpet or uneven floors .**
- **Do not place unanchored televisions on furniture .**

CAUTION: for your safety when attaching the anchor fixings, please note the following:

- **Check any electrical wires or plumbing inside the wall before drilling any holes (if you are unsure please seek professional advice from a qualified tradesperson).**



WARNING: PLEASE SECURE YOUR FURNITURE WITH THE SUPPLIED WALL FIXING. SCAN THE CODE FOR MORE INFORMATION.

