

正面

# anko

## INSTRUCTION MANUAL

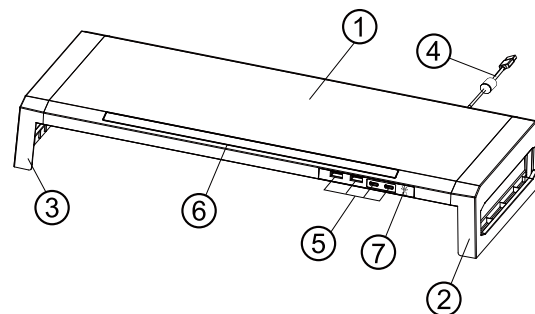


Keycode: 43244058  
RGB Monitor Stand

Please read all the information carefully before you use the product and keep the manual for future reference.  
**\*NOTE: The product is used for data transmission. Please do not use for charging mobile phone or other devices.**

### Product Overview

- ① Computer platform panel
- ② ③ Computer platform stand
- ④ USB Cable
- ⑤ Hub: 2\*USB2.0 ports+2\*Type-C ports
- ⑥ LED Colorful light panel
- ⑦ LED Light touch control switch



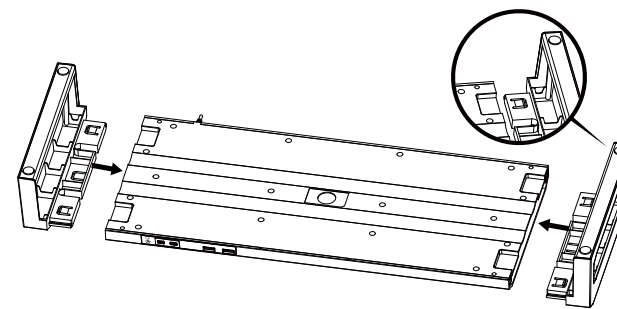
1

### Stand Specification

Hub: 2\*USB2.0 ports+2\*type C ports  
 USB Input: 5V,1.2A(Max)  
 USB Cable Length: 1.0m  
 Dimensions: 52.3\*20\*8cm  
 Product weight: 810g±20g  
 Data transfer speed: Up to 12MPS

### Installation

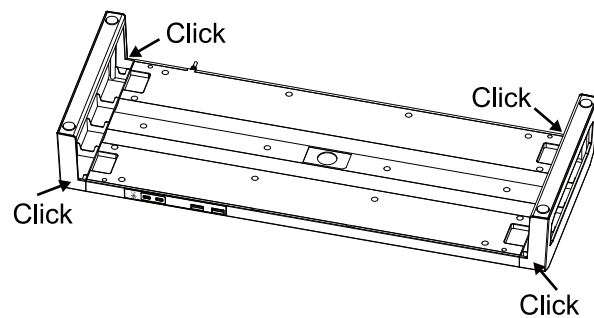
1)Put the stand onto the back of the panel as the position below and make sure the stands are in correct positions.



2

背面

2)Pull the stands into the back of the platform and make sure the stand locks into place.



3)The installation is completed and you can start to use the computer Platform.

3

### Connecting the stand

Insert the stand USB cable into the USB ports of the computer, the stand will connect automatically and can be used for data transmission.

#### \*Note:

- 1)If you use a desktop computer, please plug it into the USB ports on the back of the computer case instead of the USB ports on the front.
- 2)If the unit is irresponsive after being plugged into the computer, please restart the computer and try again.

### Product Features

#### 1)4 IN 1 USB hub

The stand built in 2 USB 2.0 ports and 2 Type-C ports, which solves the problem of insufficient interfaces. It can be more convenient to connect the mouse, keyboard, etc.

**\*NOTE: The product is used for data transmission. Please do not use for charging mobile phone or other devices.**

#### 2)Adjustable RGB light

4 kinds of RGB light effect can be adjusted by "LED Light touch control switch".  
(Colorful streaming mode/ Neon mode/ 7 colors breathing mode/ LED OFF)

4

### 3)Ergonomic Design

The stand can raise your computer screen up to 8cm. The scientific visual height allows you to avoid bending over, correct sitting posture, can effectively relieve neck and back fatigue.

### 4)Improve desktop cleanliness

You have more space to use by raising the monitor, which can help you organize the clutter on the desktop and keep the desktop tidy.

### 5)Application

This stand can use as screen riser for desktops, printer stand, computer stand, laptop stand...etc

### Caution

Please handle the platform with care.  
Do not drop or press down on the computer platform with excessive force.  
Do not disassemble or repair the unit by yourself.

5

材质: 128g双铜纸  
尺寸: 100\*100mm

双面印刷

风琴折