

Assembly Instructions

43244072 2 DRAWER BASKET SIDE TABLE




WARNING: DO NOT STAND, SIT OR LEAN ON THIS UNIT. DO NOT USE THIS UNIT AS A STEP LADDER OR AS A CHOPPING SURFACE. KEEP AWAY FROM CHILDREN AND BABIES. ADULT ASSEMBLY REQUIRED. USE ONLY ON A FLAT SURFACE. ADULT ASSEMBLY REQUIRED. LOAD THE DRAWER EVENLY TO PREVENT IT FROM TIPPING OVER. DO NOT USE THIS UNIT UNLESS ALL BOLTS AND SCREWS ARE FIRMLY SECURED.

CARE INSTRUCTIONS: TO BE ASSEMBLED ON A CLEAN, DRY AND SMOOTH SURFACE. WIPE CLEAN WITH A SOFT DAMP CLOTH. NEVER USE SCOURERS, ABRASIVES OR CHEMICAL SOLVENTS. CHECK AND TIGHTEN ALL PARTS REGULARLY. KEEP AWAY FROM MOISTURE AND DIRECT SUNLIGHT. STORE IN A DRY PLACE. FOR INDOOR AND DOMESTIC USE ONLY.

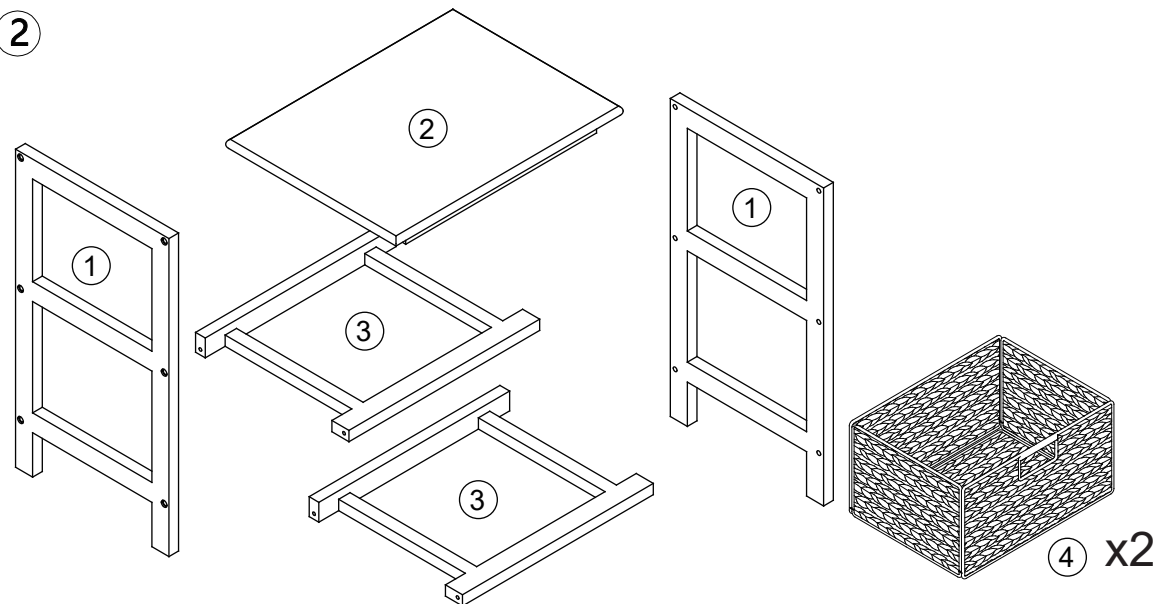
MAXIMUM SAFE LOAD: 10KGS FOR TOP PANEL, 3KGS FOR EACH DRAWER.

①

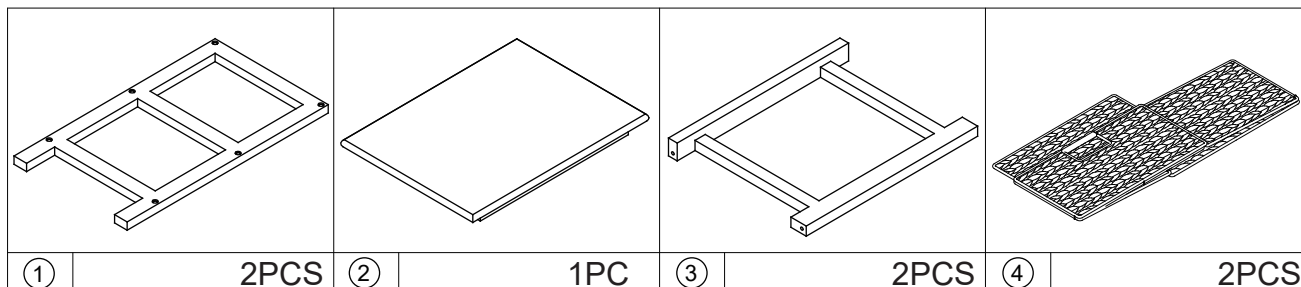
Hardware List

	A	M5x50mm	12pcs
	B	3mm	1pc
	C	Ø12mm	12pcs

②




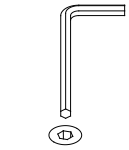
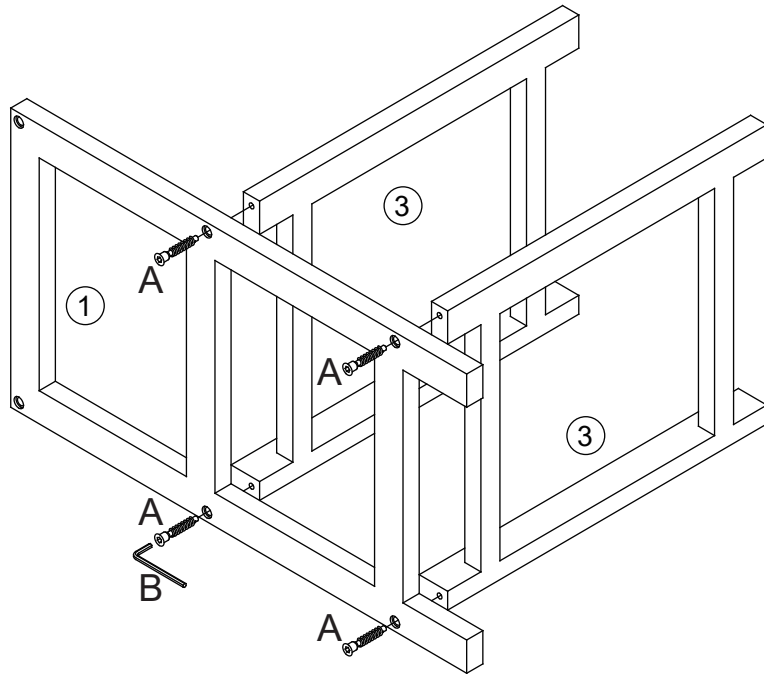
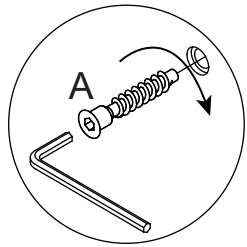
③



Do not tighten the screws fully during assembly.
Fully tighten screws after the final assembly steps



STEP 1:

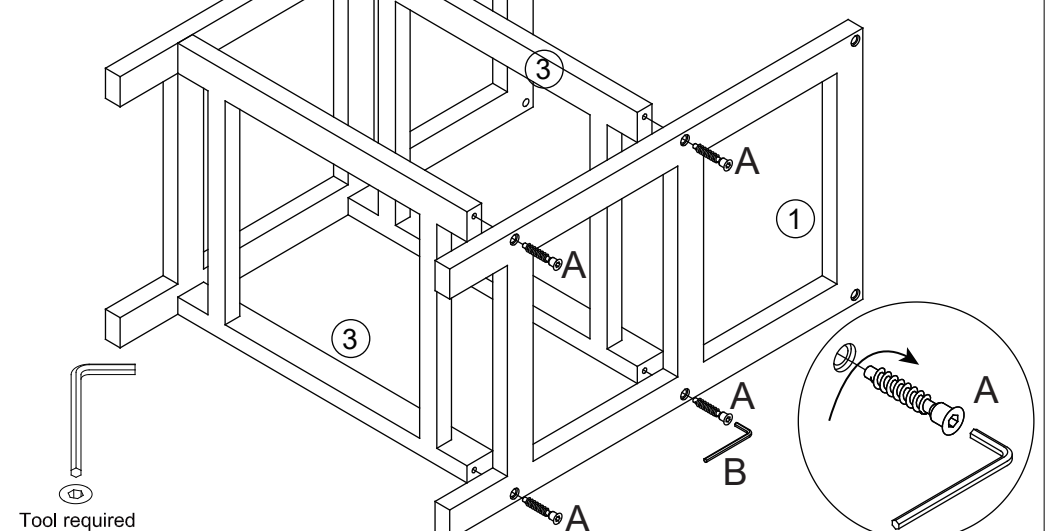
-  Ax4
-  Bx1



Tool required




STEP 2:

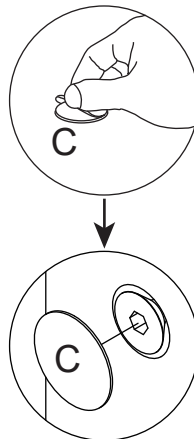
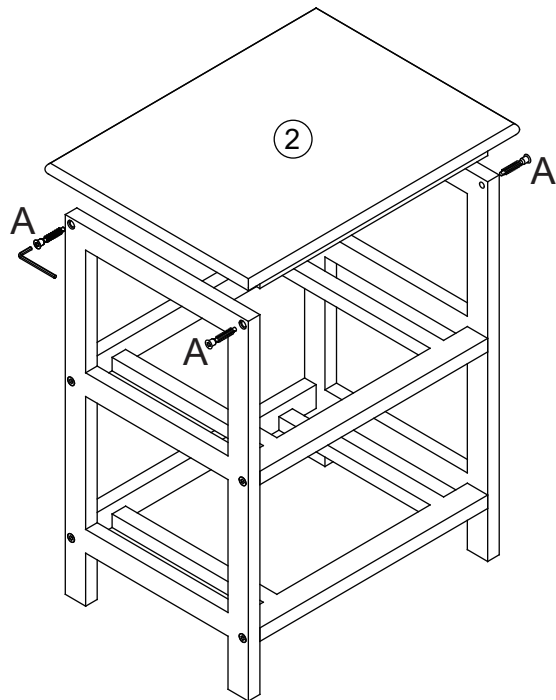
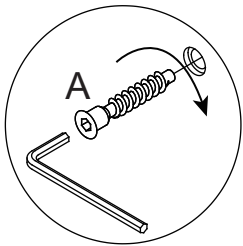
-  Ax4
-  Bx1



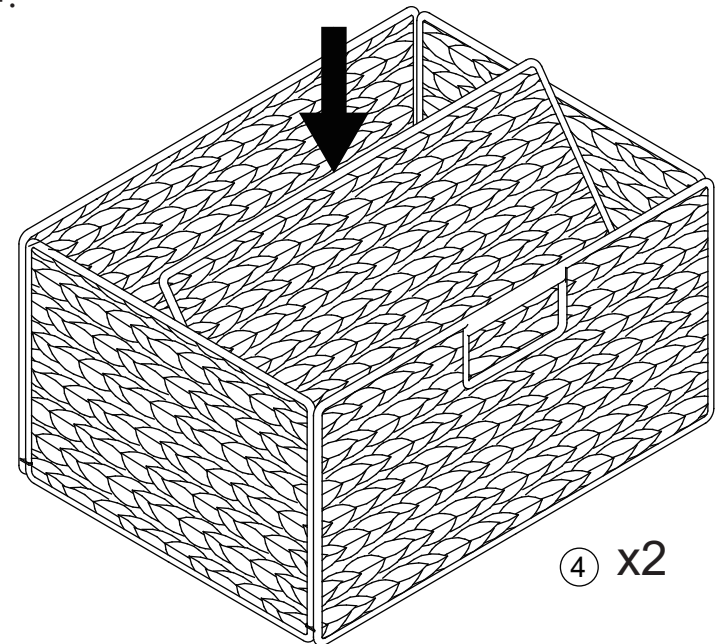
Tool required

STEP 3:

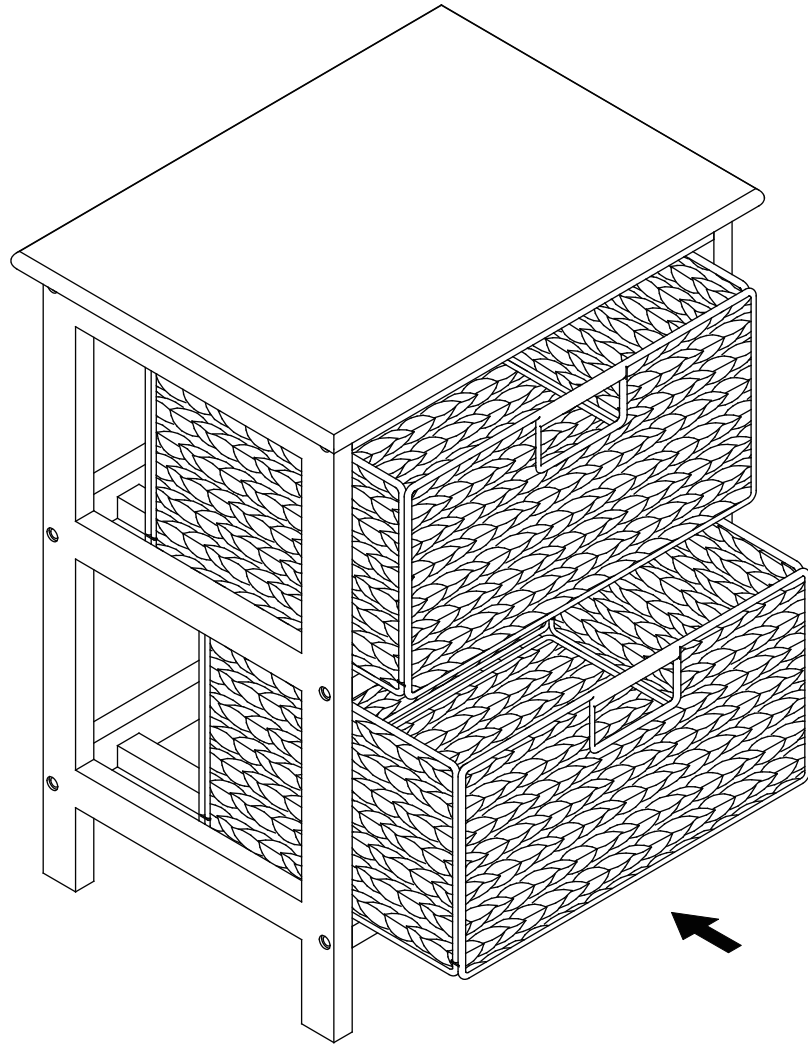
-  Ax4
-  Bx1
-  Cx12



STEP 4:



STEP 5:



STEP 6:

